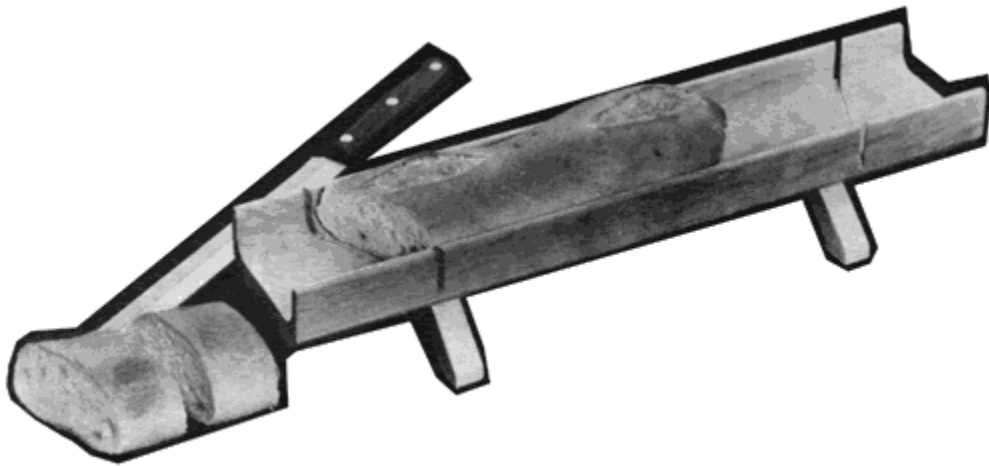
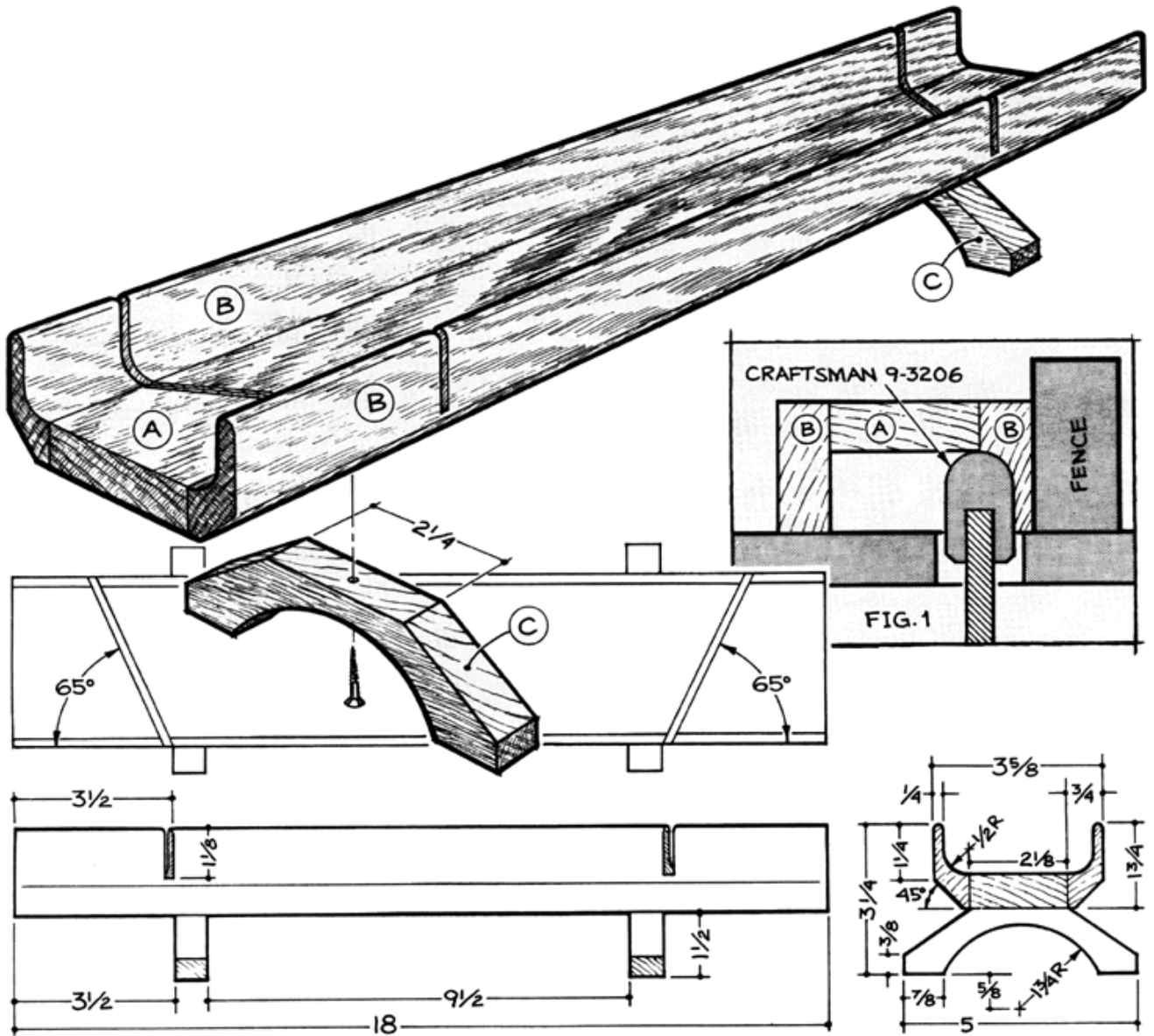


Project 14927EZ: French Bread Cutter



Kitchen accessories are always popular with our readers, and we expect this project will be no exception. Not only does it make it easy to cut up a loaf of French bread, it also does a good job of collecting the crumbs. With a knife groove on each end, it will accommodate both right and left handed gourmets.

French Bread Cutter Complete Schematic



French Bread Cutter Step-by-Step Instructions

1. Cut parts A and B to the dimensions shown.
2. Assemble parts A and B with glue and clamps. **NOTE: Clamp with care to insure that the surfaces of all three parts will be flush.**
3. Equip the table saw with a molding-head equipped with a 1" flute bit (see Figure 1).
4. Remove about 1/8" of material with each pass on the table saw to apply the 1/2" radius to parts B.
5. Make the feet (C) to the dimensions shown.
6. Use a saber saw to cut the 1-3/4" radius in the feet as shown.
7. Set the table saw blade to a height of 1-1/8", then use the miter gauge to cut the 65 degree angles as shown.
8. Final sand all surfaces.
9. Complete the project by securing parts C to part B with flat head wood screws.

These plans were originally published in Volume 8, Issue 1 of *The Woodworker's Journal* (Jan./Feb. 1984, page 51).