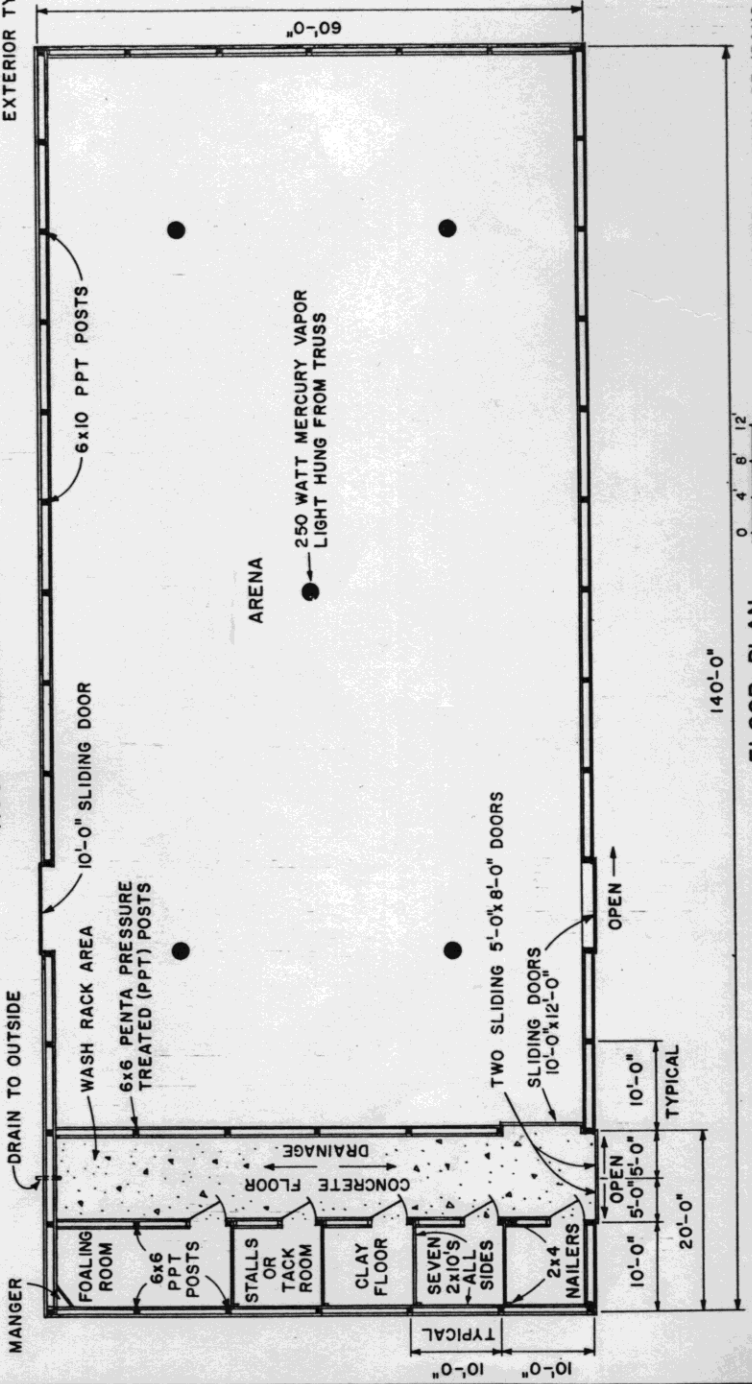
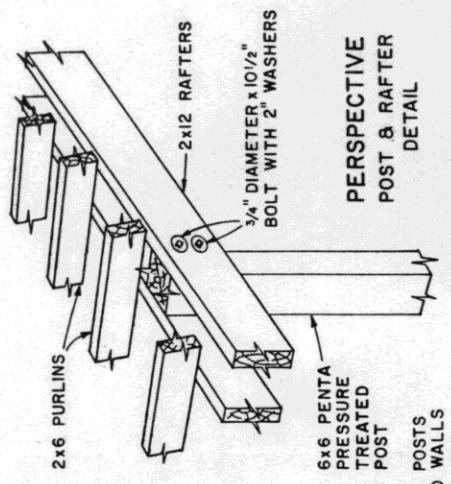


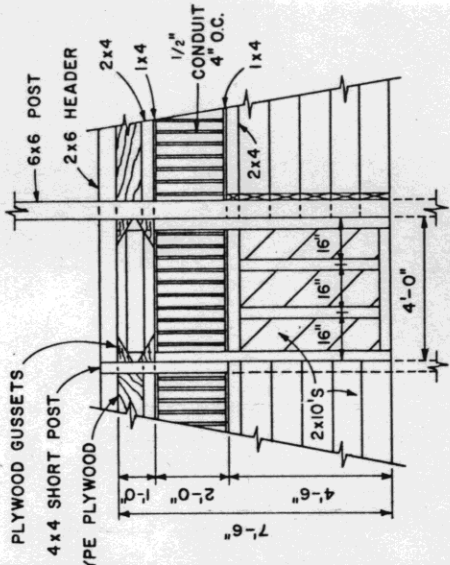
ROOF FRAMING PLAN



FLOOR PLAN

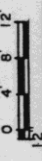


PERSPECTIVE POST & RAFTER DETAIL



STALL DOOR DETAIL

BASED ON: UNIV. OF IDAHO PLAN AE-73-01

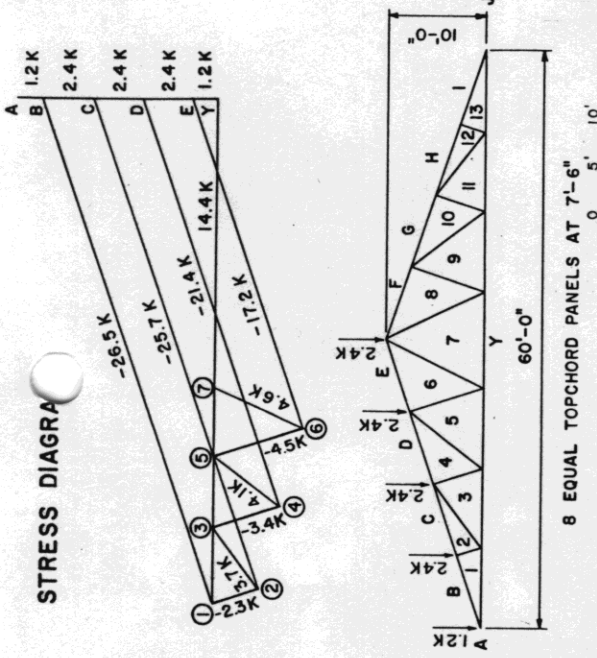


FLOOR PLAN

|  |             |                |              |
|--|-------------|----------------|--------------|
| COOPERATIVE EXTENSION WORK IN AGRICULTURE AND HOME ECONOMICS |             |                |              |
| AND UNITED STATES DEPARTMENT OF AGRICULTURE COOPERATING      |             |                |              |
| HORSE BARN & ARENA   |             |                |              |
| ID.  | '73         | 6171           | SHEET 1 OF 3 |
| DR BY: J.L.  | TR BY: J.G. | CHK BY: J.S.T. | DATE: 1/74   |

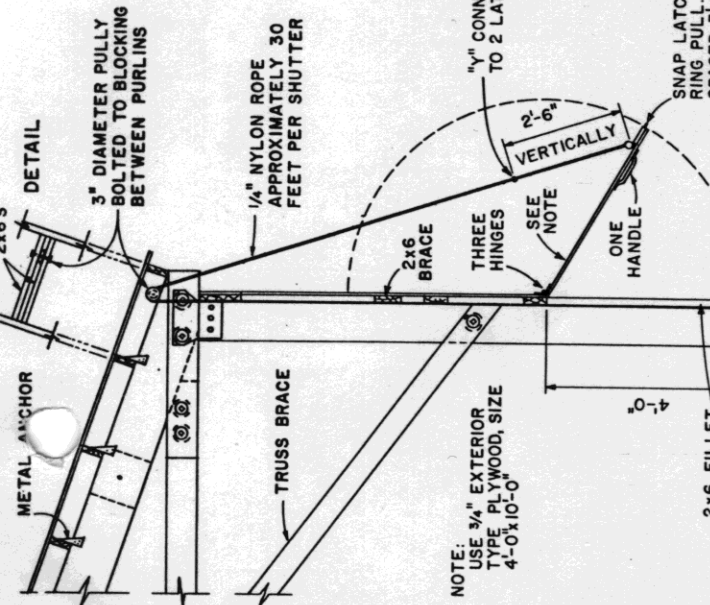


**STRESS DIAGRAM**



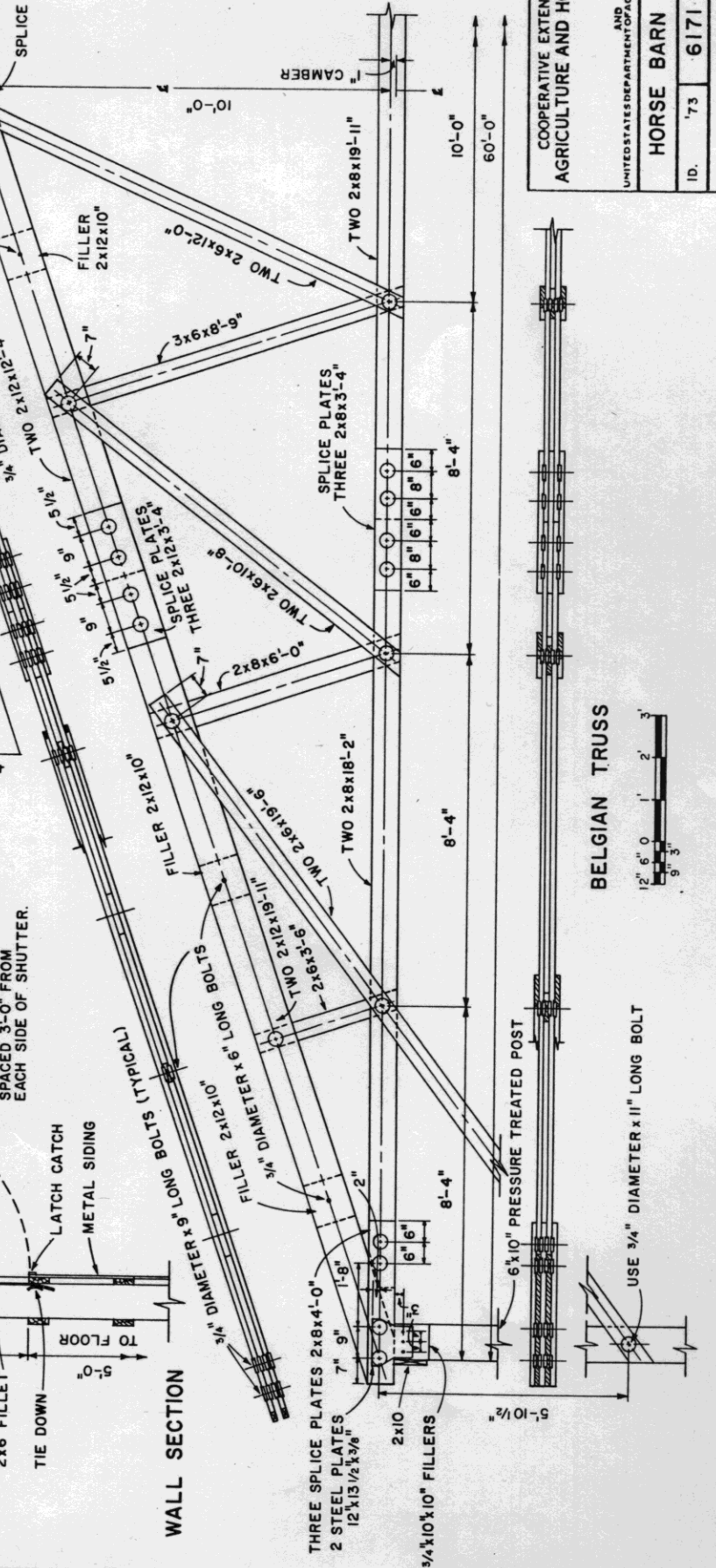
**NOTES:**

1. TOTAL LOAD, LIVE PLUS DEAD = 32 POUNDS PER SQUARE FOOT.
2. TRUSS SPACING 10'-0" O.C.
3. THE PROPER CAMBER MAY BE INTRODUCED BY RAISING THE LOWER CHORD 1/2" AT THE CENTER DURING FABRICATION.
4. LUMBER SHALL BE A STRUCTURAL GRADE WITH MINIMUM ALLOWABLE WORKING STRESSES IN POUNDS PER SQUARE INCH AS FOLLOWS:  
800 PSI COMPRESSION PARALLEL TO THE GRAIN  
1,200 PSI EXTREME FIBER IN BENDING  
1,600,000 PSI MODULUS OF ELASTICITY.
5. CONNECTORS:  
4" DIAMETER SPLIT RINGS  
3/4" DIAMETER x 9 1/2" LONG BOLTS & 3" WASHERS UNLESS OTHERWISE SPECIFIED.



NOTE: USE 3/4" EXTERIOR TYPE PLYWOOD, SIZE 4'-0" x 10'-0"

**WALL SECTION**



**BELGIAN TRUSS**

