



Wow! I Made It.com

Victorian Table

The four decorative quarter-circles that make up the surface of this lovely table were originally destined for use as gingerbread on house porches, but you'll use them—and a circular sheet of glass—to transform an easy-to-make stand into a lovely table. Once you've purchased the materials, you can probably construct the entire project in a couple of hours. Paint the finished table, add the glass to the top, and you're finished.



Materials

- 1 sheet of $\frac{3}{4}$ -thick plywood, 4' x 8'
- 4 decorative gingerbread quarter-circles

- 1 circle of 3/8"-thick glass, 36" in diameter
- 5 small felt or plastic pads to protect the glass

Hardware

- Approximately 30 #6 1-1/4" flathead wood screws

Cutting List

Code	Description	Qty	Material	Dimensions
A	Table Support	2	3/4" plywood	29" x 35-1/4"

Notes on the Materials

For a table the same size as the one shown in the photo, the straight sides of each gingerbread quarter-circle that you purchase should measure 17-1/4". If you'd like to use larger or smaller quarter-circles, just alter the measurements of the plywood to match the size of the gingerbread that you find.

When you buy the circular piece of glass, be sure that its edges have been beveled or sanded in the same manner so that no one is injured by sharp glass.

The table supports (A) will support a glass circle of up to 40" in diameter.

Constructing the Table

1. The two-piece stand fits together by means of a slot system (see *Figure 1*). First cut two 29" x 35-1/4" table supports (A) from 3/4"-thick plywood. Then carefully cut the slot in the center of each table support (A). Be certain that you make these cuts very carefully, or the table supports will not fit together correctly.
2. Apply glue to the inner edges of the cut slots. Then fit the slots in the two table supports (A) together so that the supports form an X shape when viewed from above.
3. The quarter-circles are fastened in the openings between the table supports (A), with their upper surfaces flush with the upper edges of the supports, as shown in *Figure 2*. Apply glue to both straight edges of one quarter-circle and position it between two adjacent table supports (A). Fasten the quarter-circle in place by inserting three 1-1/4" screws through the table support (A) and into the gingerbread; place one screw as close as possible to each end of the support and one in the middle. Repeat to fasten the other edge of the quarter-circle to the other support.
4. Repeat Step 3 to attach another quarter-circle opposite to the one you attached in the last step. Then attach the remaining two quarter-circles. You'll need to angle the screws into

these last two quarter-circles from underneath the previously attached quarter-circles next to them.

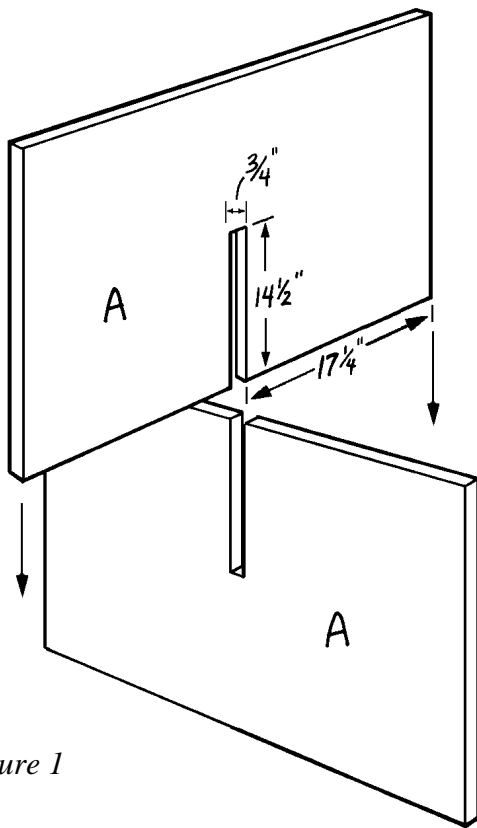


Figure 1

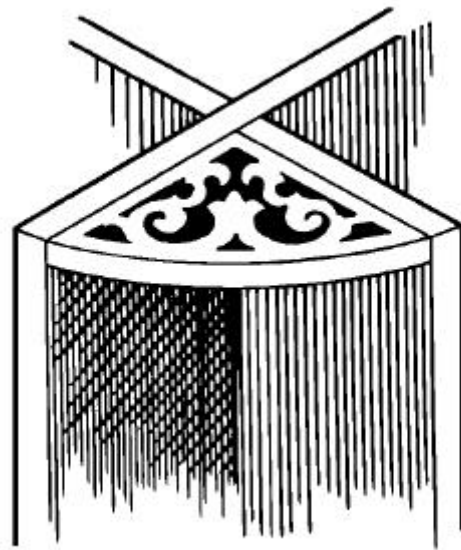


Figure 2

Finishing



1. Fill any holes, cracks, or crevices with wood filler.
2. Paint or stain the table the color of your choice.
3. Affix the five small felt or plastic pads to the upper edges of the table support, as shown in the photo of the table without glass. These will protect the lower surface of the glass and will prevent the glass from sliding out of place.
4. Place the circular glass on top of the table.