



Wow! I Made It.com

Upholstered Vanity Seat

For years I sat on an extremely uncomfortable chair to apply my makeup. I finally replaced it with this sturdy seat that is both attractive and comfortable. This finished size is 17 inches square and approximately 19 inches high, but the dimensions can be altered to suit your needs.



Materials

Lumber:

- 22 linear feet of 1 x 4 pine
- 5 linear feet of 3/4" x 3/4" pine strips
- 1 piece 3/4" plywood, 16 1/2" sq.

Fabrics and Notions:

- 1 piece 2"-thick foam rubber, 17" square
- (or equivalent polyester batting)
- 3/4 yard upholstery fabric
- 2 yards decorative cotton cording, approx. 3/8" diameter

Hardware:

- Approximately 150 #6 x 1-1/4" flathead wood screws
- Upholstery tacks (optional)

Special Tools and Techniques:

- Staple gun (optional)
- Miters

Cutting List

Code	Description	Qty.	Material	Dimensions
A	Leg	8	1 x 4 pine	16" long
B	Front/Back Connector	2	1 x 4 pine	14" long
C	Side Connector	2	1 x 4 pine	15-1/2" long
D	Front/Back Spacer	2	1 x 4 pine	8-1/2" long
E	Side Spacer	2	1 x 4 pine	10" long
F	Corner Support	4	1 x 4 pine	8 1/2" long
G	Leg Support	4	3/4" x 3/4" pine strips	12-1/2" long
H	Seat Bottom	1	3/4" plywood	16-1/2" sq.

Assembly

1. The seat frame consists of four sides. Although the finished project is square, it is clearer if we designate two sides, a front, and a back. The sides are identical to each other, as are the front and back. All of the components should be fastened together with both wood glue and screws, and each assembly should be checked carefully to make sure that the joints are perfectly square.

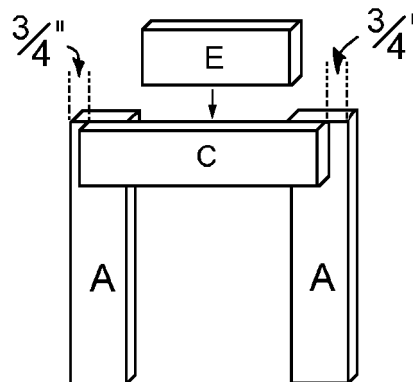


Figure 1

2. The construction of one side is shown in *Figure 1*. Attach two legs (A) to one side connector (C), spacing them as shown. Note that the edges of the side connector are flush with the ends of the legs (A), and there is a 3/4" offset at each end of the side connector (C). Using glue and

two 1-1/4"-long screws at each end of the side connector (C), attach both legs (A).

3. As shown in *Figure 1*, attach the side spacer (E) between the legs. Apply glue, and use about 3 1-1/4"-long screws, driving them through the side connector (C) into the side spacer (E).
4. Assemble the second side the same way you did the first, repeating Steps 1 and 2.
5. The front is shown in *Figure 2*. Assemble two legs (A) and one front/back connector (B), spacing them as shown. Again, the pieces are flush at the top, and there is a 3/4" offset at the sides. Use two screws at each end of the front/back connector (B) to secure the legs (A). Attach the front/back spacer (D) between the legs using three screws driven through the front/back connector (B) into the front/back spacer.
6. The back is a twin of the front; simply repeat Step 4
7. The next step is to join the front, back, and sides. Attach the two sides to the front as shown in *Figure 3*, making certain that the legs are flush on both the top and bottom. Then attach the back to complete the frame. The side assemblies overlap the exposed ends of the front and back assemblies. Wipe glue on the adjoining edges, and, to make a solid connection, place a screw about every 6 inches at each joint.

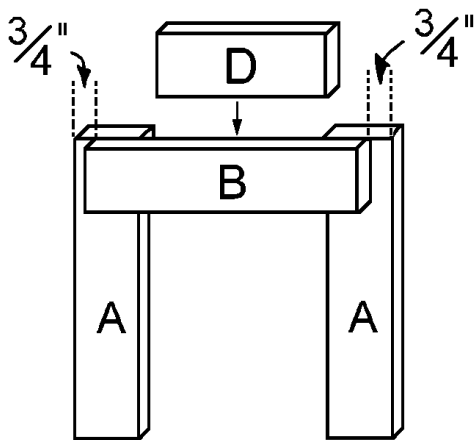


Figure 2

8. Attach one leg support (G) to the inside corners of each of the four legs as shown in *Figure 4*. Use three or four screws on each side of each leg support (G).
9. Setting each corner support (F) on its face, miter both ends at a 45-degree angle as shown in *Figure 5*.
10. Referring to *Figure 6*, attach the mitered corner supports (F), making sure that they are flush with the top edges of the assembled frame. Screw through the edges of the corner supports (F) at an angle (toenail) into the front, back, and side connectors (B and C).
11. Patch any crevices or gaps in the completed frame with wood putty (or spackle) and sand it. Paint (or stain) it the color of your choice, and seal it with an appropriate finish coat.

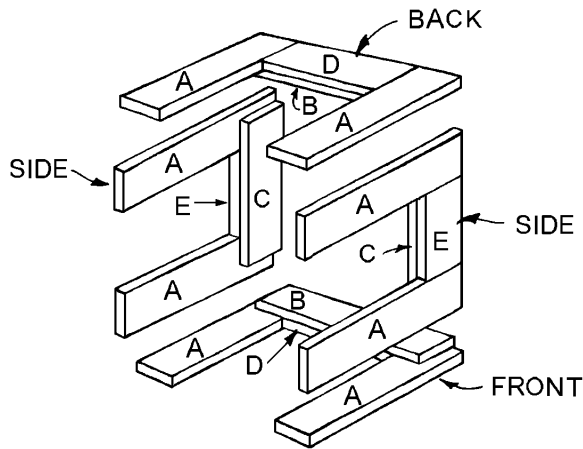


Figure 3

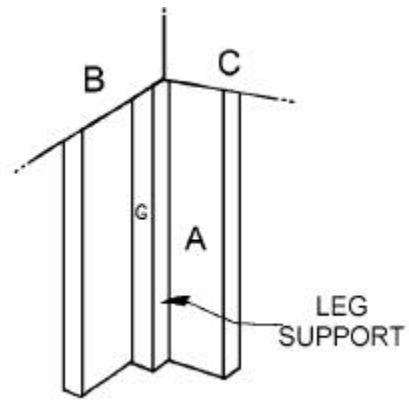


Figure 4

Making the Seat Cushion

1. The 16-1/2"-Square piece of plywood is used for the seat bottom (H). Position the 17"-square piece of foam rubber (or equivalent polyester batting) in the center of the seat bottom (H), and glue it in place.
2. Center the upholstery fabric over the foam rubber; wrap the fabric over the edge of the seat bottom (H), and staple (or tack) it to the underside. You can minimize the number of wrinkles if you first staple the center of one side, then the center of the opposite side, and finally, work your way to the corners. Smooth the fabric as you go. Staple the centers of the remaining sides, and again work your way to the corners. Be generous with the staples; use enough to keep the fabric from puckering along the sides.

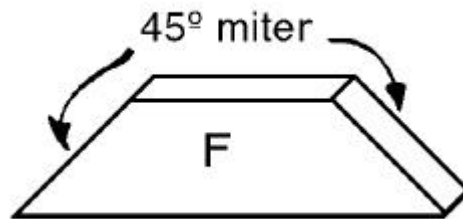


Figure 5

3. To attach the upholstered seat cushion to the frame, place the seat cushion upside down on a flat surface with the frame upside down on top of it. Screw through the center of each of the corner supports (F) into the seat bottom (H) using 1/1/4"-long screws spaced about 6" apart.

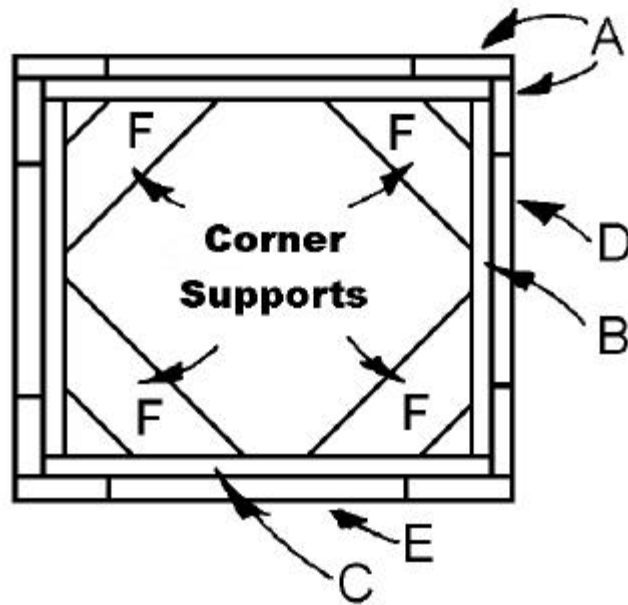


Figure 6

4. Glue the cording between the seat cushion and the frame, beginning in the center of one side and working around the entire seat.
5. Now pat yourself on the back for a job well done!

Enjoy other indoor and outdoor projects from
www.wowimadeit.com !