



Wow! I Made It.com

Folding Screen

Screens are wonderful accessories, and can block the afternoon sun, serve as a backdrop for a special table and chair, or even to divide a room in a crucial area. This pretty screen was first sponge-painted, then stamped with leaf motifs.



Materials List

- 2, 4' x 8' sheets of $\frac{3}{4}$ " plywood
- 3' x 4' piece of $\frac{1}{4}$ " plywood
- 65 linear feet of $\frac{3}{4}$ " rope molding

Hardware

- 9 2-1/2" brass hinges
- 400 small wire brads

Special Tools and Techniques

- Miter

Cutting List

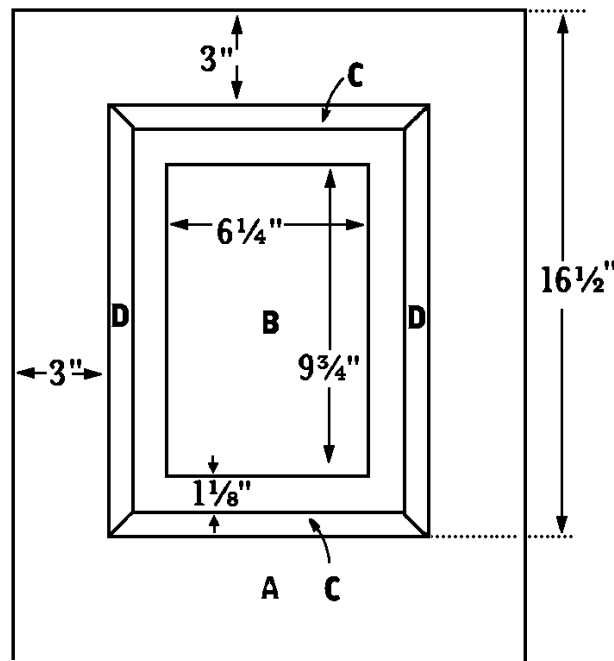
Code	Description	Qty.	Material	Dimensions
A	Main Panels	4	$\frac{3}{4}$ " plywood	16" x 72"
B	Center Panel	16	$\frac{1}{4}$ " plywood	6-1/4" x 9-3/4"
C	Vertical Rope Molding	32	$\frac{3}{4}$ " rope molding	13-1/2" long
D	Horizontal Rope Molding	32	$\frac{3}{4}$ " rope molding	10" long

Cutting and Marking the Panels

1. Cut four Main Panels (A) from $\frac{3}{4}$ " plywood, each measuring 16 x 72 inches. Fill the edges of each panel and any with wood filler, and sand the entire panel thoroughly.
2. Four smaller Center Panels (B) are attached to each of the Main Panels (A), and then outlined with rope molding. The procedure is extremely simple, but requires exact measuring. For that reason, we suggest that you carefully measure and mark each of the four Main Panels (A) with the position of both the Center Panels (B), and the Vertical and Horizontal Rope Moldings (C and D). Begin at the top of one Main Panel, and following the measurements in *Figure 1*, draw the placement lines as shown. Make certain that all of your lines are straight and squared.
3. Repeat the procedure outlined in Step 2 three more times to draw the placement lines for the remainder of the Main Panel. At that point, the Main Panel (A) will appear as shown in *Figure 2*. You should end with 6 remaining inches at the bottom of your Main Panel (A).

- Repeat Steps 2 and 3 to mark the placement lines on each of the remaining three Main Panels (A).

Figure 1



Adding the Center Panels

- Cut 16 Center Panels (B) from 1-1/4" plywood, each measuring 6-1/4 x 9-3/4 inches.
- Thoroughly sand each of the 16 Center Panels (B).
- Refer to your placement marks to attach one Center Panel (B) to the top of one Main Panel (A). Apply glue to the back of the Center Panel (B), and use small wire brads in each corner to attach it to the Main Panel (A).
- Using the marks as a guide, repeat Step 3 three more times to attach three additional Center Panels (B).
- Repeat Steps 3 and 4 three more times, attaching the remaining Center Panels (B) to the Main Panels.

Adding the Rope Molding

- Cut 32 Vertical Moldings (C) from 3/4"-wide rope molding, each measuring 13-1/2 inches.
- Miter each of the 32 Vertical Moldings (C) at opposing 45-degree angles, as shown in *Figure*

3. Sand the cut edge lightly to remove any burrs.

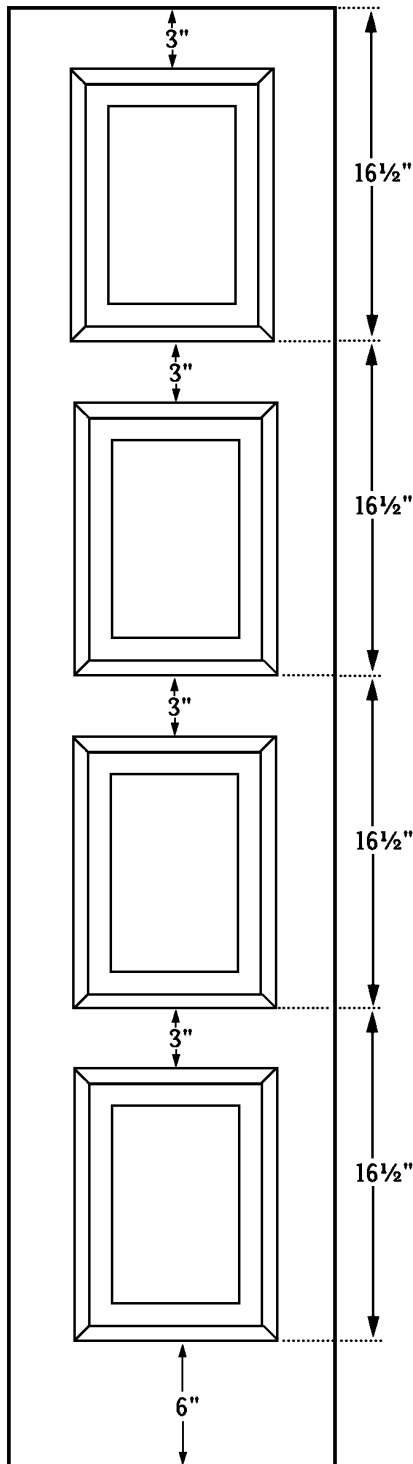
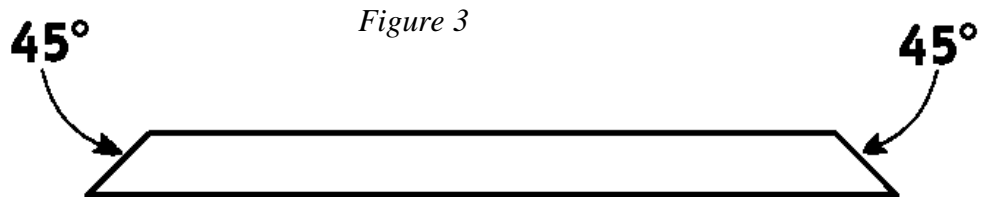


Figure 2

3. Cut 32 Horizontal Moldings (D) from $\frac{3}{4}$ -wide rope molding, each measuring 10 inches.
4. Miter each of the 32 Horizontal Moldings (D) at opposing 45-degree angles, as shown in *Figure 3*. Sand the cut edge lightly to remove any burrs.
5. Place one Main Panel (A) on a flat surface, and position two vertical and two Horizontal Moldings (C and D) to form a rectangle surrounding the first Center Panel (B), as shown in *Figure 1*. Wipe glue on the meeting surfaces, and use wire brads spaced about 3 inches apart to secure the moldings (C and D) to the Main Panel (A).
6. Repeat Step 5 eleven more times to attach the remaining moldings (C and D) around the remaining Center Panels (B).

Finishing

1. The options for finishing your screen are limitless. We first painted our screen off-white, and then sponge-painted over it with peach. We then glazed it with a mixture of half glazing medium and half peach paint. After the paint was dry, we stamped each of the Center Panels with leaf stamps, using a pale green latex paint. We chose the leaf stamps, but the craft store had hundreds of different choices.
2. The last task is to attach the hinges. Use three hinges between each of the Main Panels. Remember when attaching the hinges to alternate them so the screen will fold properly. The hinge peg faces the back of the screen between the two middle panels, and faces the front of the screen on the outer panels.



Enjoy many other indoor and outdoor projects from
www.wowimadeit.com !

