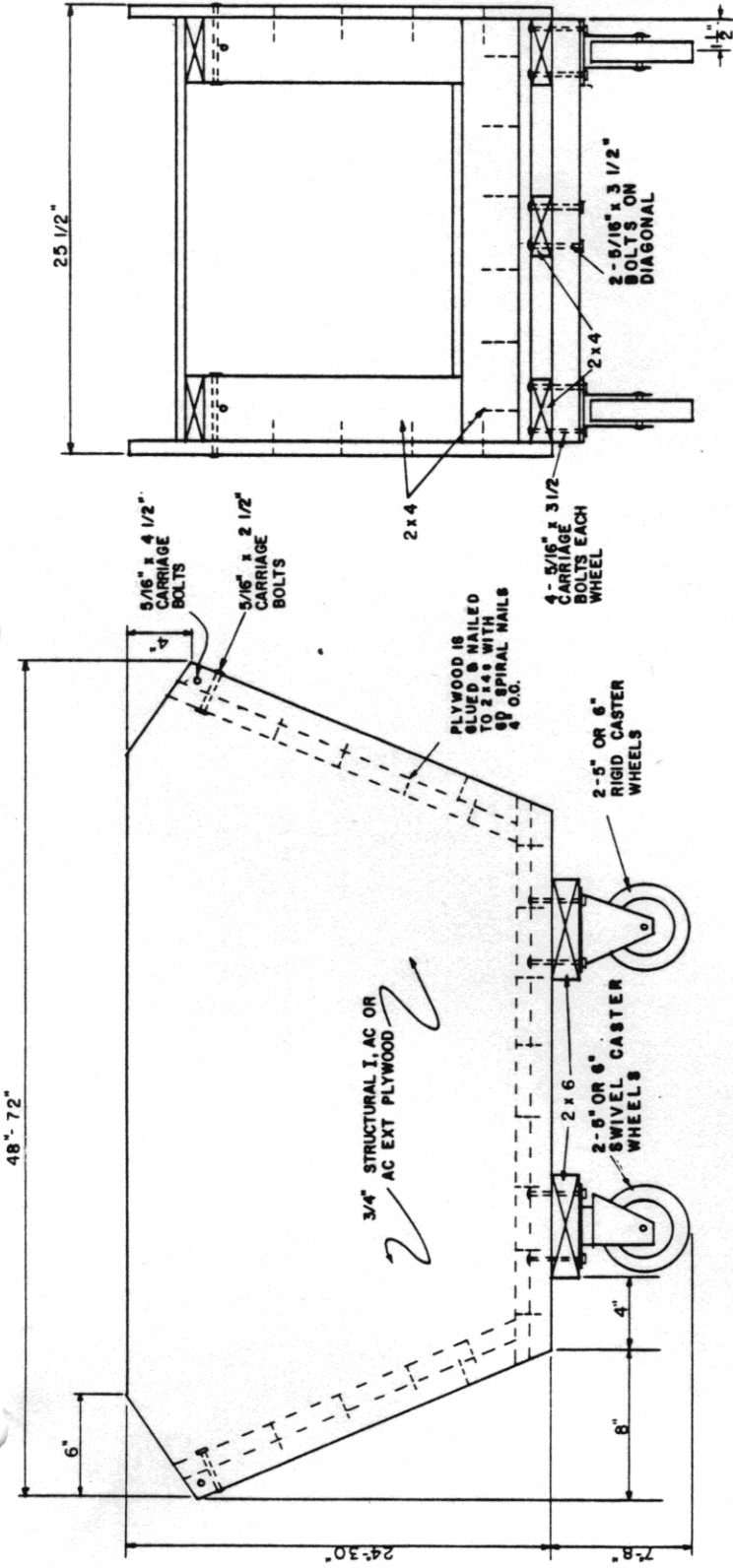
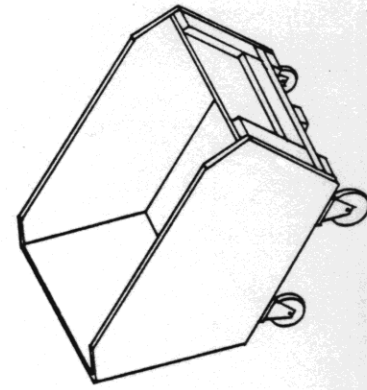


FEED CART



END VIEW

SIDE VIEW



BILL OF MATERIALS
LUMBER AND OTHER CONSTRUCTION MATERIALS:

NUMBER OF PIECES	DIMENSION	GRADE AND KIND	USE
2 (48" CART)	3/4" x 4" x 8'	STRUCTURAL I, AC OR AC EXTERIOR	SIDES, ENDS, BOTTOMS
3 (72" CART)	2 x 4 x 10'	CONSTRUCTION OR NO. 1 FIR	FRAMING
2 (48" CART)	2 x 4 x 12'	"	"
1 (72" CART)	2 x 4 x 14'	"	"
1 (72" CART)	2 x 6 x 4'	"	"

FASTENERS AND OTHER HARDWARE

AMOUNT	SIZE	ITEM
2	5" OR 6" DIAMETER	400 LBS CAPACITY SWIVEL CASTER WHEELS
2	5" OR 6" DIAMETER	400 LBS CAPACITY RIGID CASTER WHEELS
20	5/16" x 3-1/2"	CARRIAGE, WITH WASHERS
4	5/16" x 2-1/2"	"
4	5/16" x 2-1/2"	"
1- 1/2 LB	64 SPIRAL RESORCINOL (WATERPROOF)	GLUE