

PLYWOOD PROJECT PLANS



Dog House



Garden Shed

*You Can
Make It Yourself!*



The Georgia-Pacific dog house is designed to be built by the moderately experienced carpenter. The dog house is designed to provide a sturdy shelter for a medium sized dog. A rear vent can be added to the back side of the dog house for additional ventilation.

The Georgia-Pacific Garden Shed is also designed to be built by the moderately experienced carpenter. It features a platform construction on 4x4 posts sunk in concrete-lined holes similar to standard residential deck construction so it can be set on any firm soil whether sloped or flat without site preparation.

There are approximately 40 square feet of floor space inside the shed and ample headroom for storage of bicycles, a lawnmower, garden tools or play equipment. The room is large enough for a six foot potting bench or workbench; a rear window provides natural light. The design includes a hutch on the side big enough for several refuse or recycling bins. Adding insulation, electricity, or running water would expand the use of this room for many purposes.

When these projects are built using Georgia-Pacific's premium-grade materials, the sturdy shed and dog house will be attractive additions to your home for many years.

Dog House

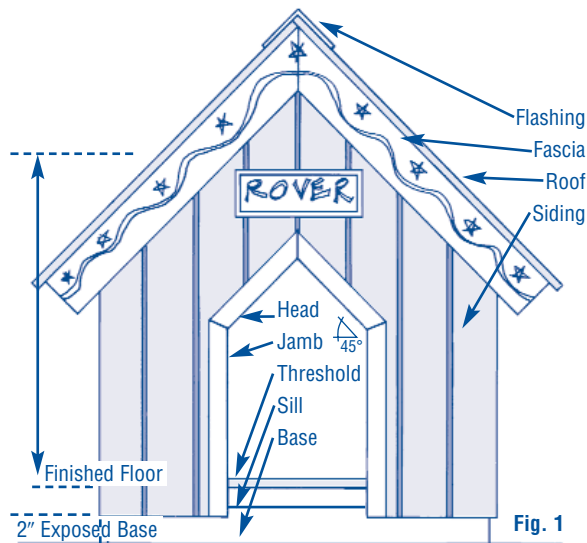


Fig. 1

MATERIALS AND CUT LIST

Buy: 2—Pressure treated 2 x 4 x 8'

Cut: 2—Front and rear bases, each 30" long
1—Center floor joist at 33" long
2—Side bases, each 33" long

Buy: 3—2 x 4 x 8'

Cut: 1—Roof ridge brace 36" long
4—Corner studs at 24½" tall, cut 45° miter on one end of each
4—Fascias at 28" long, cut 45° miter on one end of each

Buy: 1—1½" x 4' x 4' Georgia-Pacific B-C grade plywood

Cut: 1—Floor, 30" x 36"

Buy: 2—1½" x 4' x 8' G-P T1-11 plywood siding with 4" on center grooves

Cut: 2—Side siding at 22½" high x 36" wide
2—Front and rear siding at 38" high x 31¼" wide
1—Roof at 28⅞" x 42"
1—Roof at 29½" x 42"
1—Sign at 3⅝" x 10" (cut in grooves)

Buy: 1—1 x 2 x 8'

Cut: 2—Door jamb casing at 15', cut miter at 22½°
2—Door head casing at 10', cut miters at 22½° and 45°
1—Door sill casing at 11"
1—Threshold at 11"

Buy: Metal flashing pre-bent at 90° angle.

Cut: 42" length

Buy: Galvanized finish nails, galvanized deck screws, wood glue, primer, and acrylic latex paint or exterior opaque stain.

ASSEMBLY

1. Before cutting, draw layout on plywood as shown, centering front and rear siding on grooves.
2. Nail base boards together, lapping front and rear over sides. Add a central joist at midspan (shown as dashed line on Fig. 3).
3. Screw plywood floor on top of base.
4. Screw sides to short side of corner studs, lapping the siding 2" over the bottom of the studs. Leave ½" of the top of the stud exposed.
5. Screw back and front siding to corner studs, lapping front and rear over sides.
6. Add roof ridge brace by nailing through the front and back siding flush in the angle of the peak.
7. Set the assembly over the base. Screw together.
8. Nail fascia through plywood to corner studs. Screw siding to fascias from inside.
9. Screw roofs to fascias and ridge brace, lapping larger roof over smaller at ridge.
10. Nail flashing over ridge.
11. Nail casing around door as shown.
12. Nail sill flush with floor.
13. Nail threshold to cover the crack at sill and floor.
14. Paint exterior ad lib.

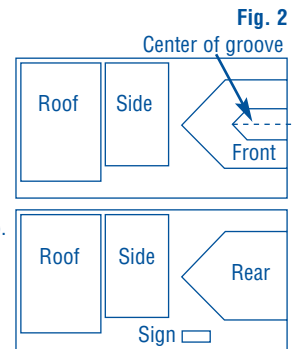


Fig. 2

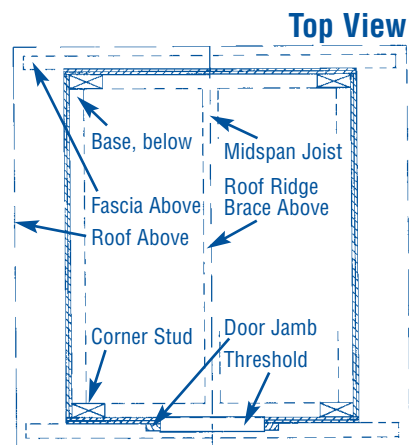


Fig. 3

Garden Shed

MATERIALS LIST

Plywood and Lumber

Posts:
5—4 x 4 pressure treated
or cedar posts @ 12 ft.

Floor and rim joists:
8—2 x 8 @ 8'

Flooring:
3— $2\frac{3}{32}$ " thick
G-P Plus™ Sturd-I-Floor®
or B-C Plywood
4' x 8'

Stud walls, sole plates,
double cap plates:
8—2 x 4 @ 14'
sidewall studs
18—2 x 4 @ 10' front
and rear wall studs
13—2 x 4 @ 16' plates,
headers, jacks, etc.

Door rails and stiles:
3—2 x 4 @ 8'

Rafters:
6—2 x 6 @ 14'

Ridge Beam:
1—2 x 8 @ 8'

Roof Deck:
5— $1\frac{5}{32}$ " @ 4' x 8'
Georgia-Pacific plywood
rated sheathing

Interior wall sheathing:
11— $1\frac{1}{32}$ " @ 4' x 8'
G-P Ply-Bead® plywood
beaded board panels
Perforated hardboard
@ 4' x 8'

Ceiling:
4— $1\frac{1}{32}$ " @ 4' x 8' G-P Ply-Bead®
plywood beaded board panels

Concrete and Gravel

12—80 lb. bags of concrete
mix=2 bags per hole

Gravel: enough to cover ground
under shed. (optional)

Hardware

Door hinges:
3 pairs—strap style, black

Door latches:
2—with hasp and lock, black

Joist hangers:
16—to fit 2 x 8 joists
14—to fit 2 x 4 joists

Nails:
25 lbs.—16 penny hot
dipped galvanized
(HDG) sinkers
10 lbs.—1 $\frac{1}{4}$ " HDG
roofing nails
10 lbs.—8 penny HDG
finish nails for trim
10 lbs.—8 penny HDG
spiral siding nails
5 lbs.—joist hanger nails HDG

Trim

G-P PrimeTrim®
engineered wood trim in the
following dimensions:

Overdoor, cornerboards and
sub-fascia:
8—1 x 6 @ 16'

Door and window casing and
trim, hutch corner boards,
baseboards:
7—1 x 4 @ 16'

Skirt on shed:
2— $\frac{5}{4}$ x 10 @ 16'

Fascia on shed and band:
6— $\frac{5}{4}$ x 8 @ 16'

Fascia on recycling hutch:
1— $\frac{5}{4}$ x 6 @ 16'

Skirts and band on hutch:
2— $\frac{5}{4}$ x 4 @ 16'

Siding

$1\frac{9}{32}$ " x 4' x 8' G-P T1-11
plywood siding with 4" on
center grooves

Front and rear facades:
4—4' x 8' panels

Side facades and door:
7—4' x 8' panels

Moulding and Flashing

Cove moulding under fascia
edge: 96 linear feet— $\frac{3}{4}$ "
or 1" cove profile

Optional trim on window in door:
1—casing @ 8'

Drip edge on the top of
fascia @ eave and rake:
5—drip edge @ 10'

2 x 2 flashing @ overdoor
and window; 10 linear feet

3 x 3 flashing @ hutch roof
and shed sidewall:

10 linear feet

Z flashing: 36 linear feet—
aluminum flashing

Ramp

G-P pressure-treated
lumber joists:
1—2 x 6 pressure-treated @ 12'
(length will vary to accommodate
each site)

Decking: 3— $\frac{5}{4}$ x 6
pressure-treated @ 12'

Optional footholds:
number varies with length of
ramp, spaced every 12" 1 x 2
@ 14" long each

Windows

Rear window:
prefabricated 24" x 24" wood
octagonal venting window with
clear glass

Optional: insect screen

Optional window on door: plexi-
glas or glass custom cut to fit

Roof

Felt: 1 roll GP-15 lb. residential
roofing felt

Shingles: 4 bundles G-P
Summit® Series

Ridge cap:
1 bundle—G-P hip and ridge
shingles to match desired
Summit® shingle color

Roll ridge vent:
8 linear feet

Optional Furnishings

Shelves: 2—1 x 10 pine shelves
@ 16'

Cabinets:
2—prefabricated 6'
running feet, 36" high

Countertop:
25" deep— $\frac{3}{4}$ " G-P MDF,
cut to fit approx. 6'

Trellis

Framing: 4—2 x 2 @ 12'

Vinyl coated electrical wire hooks
and screw eyes for mounting

Paint and Caulk

Approximately 2 gallons of exte-
rior acrylic latex primer and wall
paint, non-hardening caulk

1. SITING THE SHED

Choose a convenient location, (not necessarily on flat ground). When finished, the bottoms of the floor joists should be at least 6 inches above the ground, high enough that water puddling on the ground cannot reach them. The ramp should be long enough to slope down at a 45 degree angle or less.

2. FOOTING AND POSTS

Lay out the holes to make certain they are square. Dig the holes for the footings; the depth should be below your local frost line. Make the holes larger than the posts to allow for adjustment (approximately 12" wide). Set four full-length 4 x 4 corner posts in the holes, temporarily bracing them in both directions so they stay plumb. **DO NOT pour the concrete.** The posts for the hutch should be set after the shed is framed.

3. FRAMING

Hang the rim joists on the posts with joist hangers so the outside faces are flush. Hang the floor joists from the side rim joists using joist hangers at 16" on center or less. Deck the floor with ²³/₃₂" plywood.

Frame the stud walls horizontally on flat ground using standard construction techniques including a sole plate, a single top plate, and studs at 16" on center. Frame the door and window openings leaving the sole plate under the door. Add a nailing surface if you will be adding interior sheathing. Nail the walls in place between the 4 x 4 posts using 16 d sinkers.

Check the posts to be sure they are plumb and level, and then fill each posthole with 2 bags of concrete, leaving the top surface sloped to drain water away from the posts. When the concrete has set thoroughly, cut the four posts off flush with the side wall plate. Add a second top plate on top of the side walls extending over the post tops. Add a second top plate on top of the front and rear walls lapping the opposite way over the peaks.

4. RIDGE AND RAFTERS

Toenail the ridge beam in place between the front and rear walls. Cut the rafter birdsmouths so the level (seat) cuts are 3 1/2" long where they sit on the top plate. The plumb cuts are perpendicular to the seat cuts. Let the rafter tails run wild (long) to be trimmed later. Lay out the rafter spacing on the ridge using five rafters evenly spaced on each side.

5. SIDING

Wrap the entire structure with tar paper or building wrap. Nail band to rim joists, and skirt above band to stud walls. Before cutting the siding, lay out the cutting lines on the plywood following the enclosed patterns so that the grooves do not fall on a cornerboard and so the center of the facade is centered between two grooves. Slip the flashing for the shed roof and overdoor trim under the siding before nailing it to the studs, and Z-flashing under the bottom of the siding and over the skirts.

6. ROOF

To calculate the rafter tail length mock-up the fascias on the front facade following the dotted lines in the detail drawing provided. Cut the rafter tails so that the fascias will neatly wrap around the building corners. The grooves in the siding meet the sub-fascia allowing the roof to vent. Sheath the roof with ¹⁵/₃₂" plywood. Apply the roof felt and shingles following manufacturer's instructions. Cover the ridge with ridge vent.

7. DOOR AND WINDOW

Cut the door out of siding and apply 2 x 4's flat for stiffening and add a diagonal brace from top hinge down to the lower corner on the swinging side. Optional: Add a small window made of plexiglass, window glass or insect screen trimmed with small-dimensioned window stop and use small strips of lattice for decorative muntins. Hang the door in the cased opening using decorative strap hinges mounted on pads so they lay flat with the door trim. Leave the sole plate under the door as a door stop. Install window in rear wall.

8. TRIM

Apply the sub-fascia & fascia on top of the siding. Apply cove moulding to trim the bottom and top edges. Add a drip edge at the top of the fascias under the roof deck. Next cut the cornerboards to fit between the skirts and fascias. Add the cornerboards to the front and rear facades, then butt the side cornerboards to them so the caulk joint does not show from the main facades. Add the door and window casing and the overdoor and overwindow trim. Add the drip edge to the side and top edges of the overdoor and overwindow trim.

9. RAMP

Make the ramp from 2 x 6 pressure treated joists with 5/4x6 decking nailed on top. Make it long enough that it slopes down at less than a 45 degree angle. Optional: If your ramp is long or steep apply footholds at 12" intervals or at whatever distance is comfortable for your stride and the angle you have chosen; be sure you can get your lawnmower or other equipment easily around the footholds. If you are using the shed for bicycles or a wheelbarrow, two sets of footholds with a space in between for the wheel would be convenient.

10. INTERIOR

Finish the interior to suit your planned use of the shed. Insulation and Ply-Bead would make it cozy and finished. G-P perforated hardboard would make it functional for tool storage. Shelves and cabinets would be useful for a potting shed if there is water available nearby. A serious gardener may want a large sink. A workbench and power source would make a functional workshop.

11. TRELLIS

Lay out the 2 x 2 lattice work as shown in the elevation drawing. Where two boards overlap mark the overlaps on both boards with a pencil line. Cut and chisel out half the depth of the wood between the pencil lines to make half-lap joints and reassemble the layout with the boards lapped together. Use vinyl-coated electrical wire to form support for your plants by weaving it between the boards. When you are satisfied with the pattern, screw joints together. Hang the trellis from screw eyes with hooks to make it easy to demount for fall cleanup and to repaint the wall behind it without uprooting your plantings.

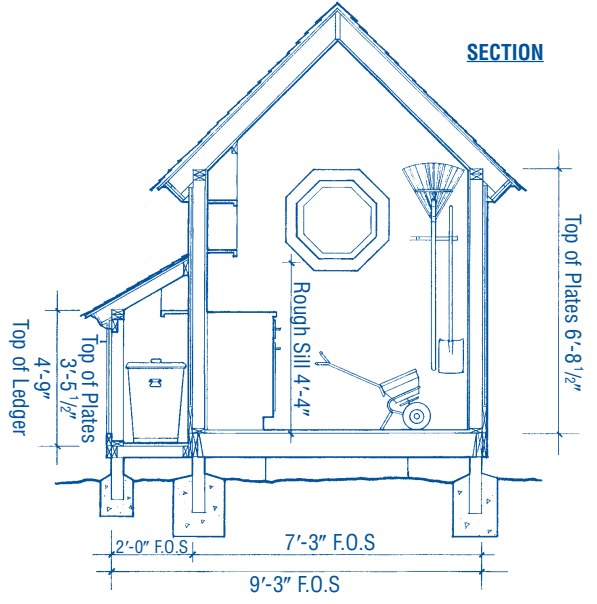
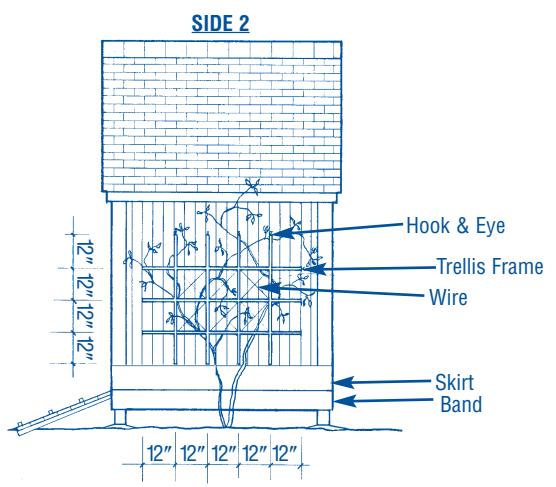
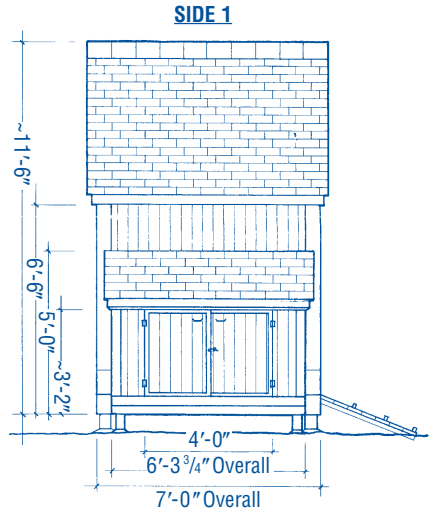
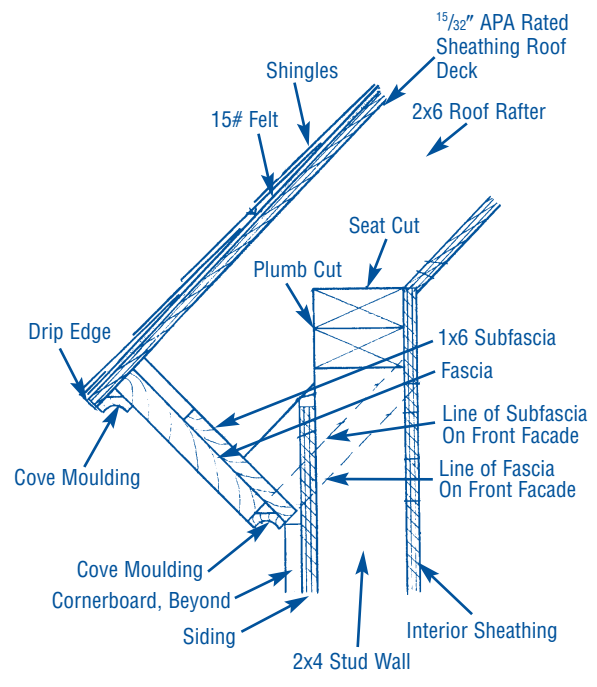
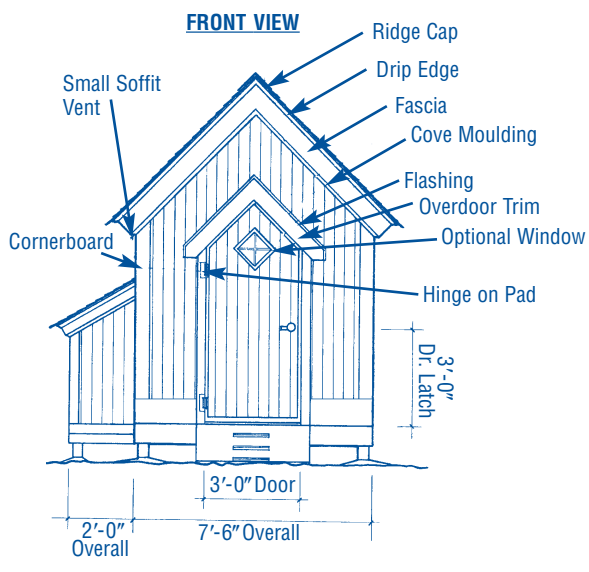
12. PAINT

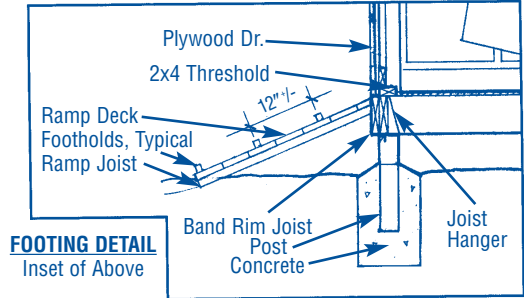
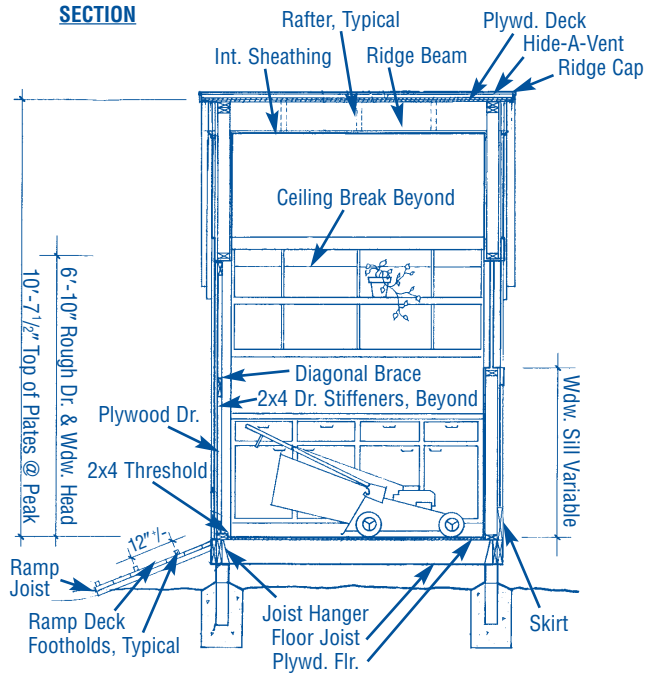
Caulk joints carefully except where the siding meets the soffit. Paint or opaque stain the shed to suit your style preference.

13. RECYCLING HUTCH

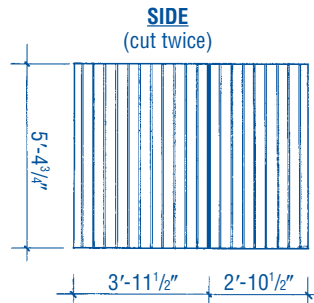
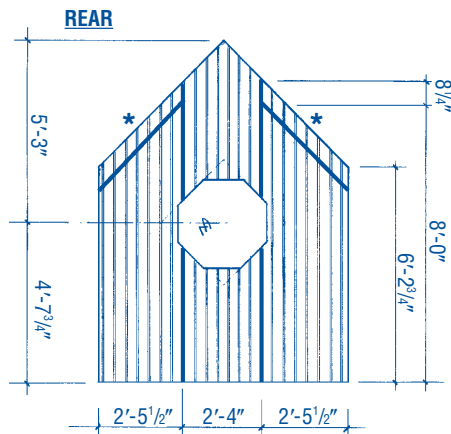
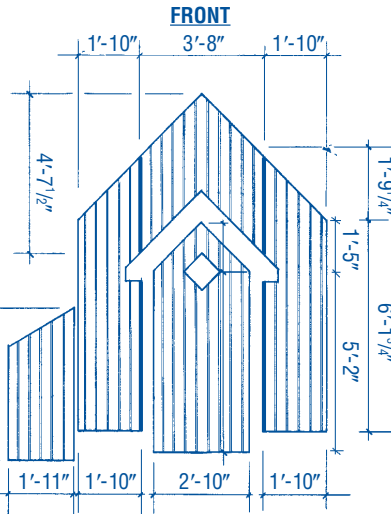
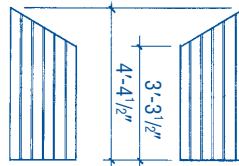
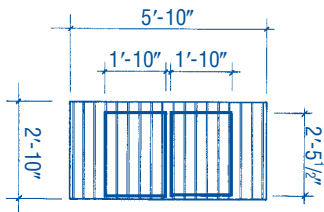
The hutch is built using the same construction techniques and sequence as the shed except that a ledger board attaches it to the shed much as a deck is attached to a house. Cut the remaining 8' 4 x 4 posts in half to make the two corner posts. Add flashing where the roof meets the shed siding.

EAVE DETAIL





SIDE CUTTING PATTERNS



* Use scrap plywood pieces for bracing only; not a precision cut.

GEORGIA-PACIFIC PRODUCTS CAN MAKE ANY JOB EASIER.

Look for these premium Georgia-Pacific products at your local home center or hardware store.

- The Southwoods Collection™ Pine Plywood Siding
- G-P Plus™ Plywood Sturd-I-Floor®
- Georgia-Pacific B-C Grade Plywood
- Perforated Hardboard
- Ply-Bead® Beaded Board Plywood Panels
- PrimeTrim® Engineered Wood Trim
- Roofing Shingles
- Medium Density Fiberboard

For more information on Georgia-Pacific products, visit the G-P website at <http://www.gp.com> or call **1-800-BUILD GP (284-5347)**.



Georgia-Pacific Corporation makes no warranties expressed or implied regarding these plans and specifically disclaims the warranties of merchantability and fitness for a particular purpose. Check with an architect or a building expert to make sure that these plans are appropriate to your situation and meet local building codes.

G-P PLUS and SOUTHWOODS COLLECTION are trademarks and PLY-BEAD and PRIMETRIM are registered trademarks of Georgia-Pacific Corporation. STURD-I-FLOOR is a registered trademark of the APA-The Engineered Wood Association.

©1999 Georgia-Pacific Corporation. All rights reserved.
Printed in the U.S.A. 10/99. Lit. Item No. 011214.