



Wow! I Made It.com

Cedar Keepsake Box

Who can't use this pretty box around the house? It's the ideal container for treasured family heirlooms—tiny baby shoes, cherished letters, and old photographs—and is the perfect size for storing cigars. The addition of a tray makes it an ideal jewelry box.



Materials List

- 3 linear feet of 1 x 3 cedar
- 4 linear feet of 1 x 6 cedar
- 1 linear foot of 1 x 8 cedar
- 2 linear feet of 1 x 10 cedar

Note: Pine may be substituted for cedar

Hardware

- 40 1-1/2" 4d finishing nails
- 2-inch-long hinges

Cutting List

Code	Description	Qty.	Material	Dimensions
A	Box Side	2	1 x 6 cedar	7-3/4" long
B	Box Front/Back	2	1 x 6 cedar	10" long
C	Box Top/Bottom	2	1 x 10 cedar	10" long
D	Tray Side	2	1 x 3 cedar	6" long
E	Tray Front/Back	2	1 x 3 cedar	7-3/4" long
F	Tray Bottom	1	1 x 8 cedar	6" x 6-1/4" long

Making the Box

1. Cut two Box Sides (A) from 1 x 6 cedar, each measuring 7-3/4" inches.
2. Cut two Box Front/Backs (B) from 1 x 6 cedar, each measuring 10 inches.
3. Place two Box Front/Backs (B) on edge parallel to each other and 7 inches apart. Place the ends of the two Box Sides (A) between the Box Front Backs (B) as shown in *Figure 1*. Apply glue to the meeting surfaces. Nail through the Box Front/Backs (B) into the ends of the Box Sides (A) using three 1-1/2" finish nails on each joint.
4. Cut two Box Top/Bottoms (C) from 1 x 10 cedar, each measuring 10 inches long.
5. Place one Top/Bottom (C) over the edges of the Box Sides (A) and Box Front/Backs (B) as shown in *Figure 2*. Apply glue to the meeting surfaces. Nail through the Top/Bottom (C) into the edges of the Box Sides (A) and Box Front/Backs (B) using 1-1/2" finish nails.

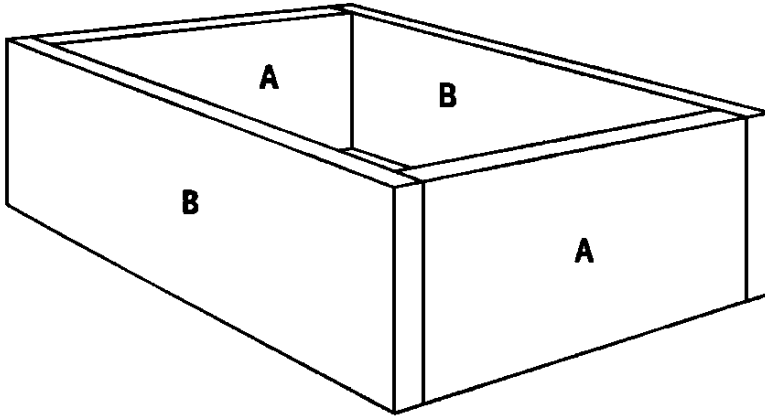


Figure 1

6. Turn the Box assembly upside-down and repeat Step 5 to attach the remaining Box Top/Bottom (C).
7. Carefully mark around the perimeter of the box, 1-1/2 inches from one Box Top/Bottom (C), as shown in *Figure 2*. Cut carefully along the marked lines through the box to create two pieces.

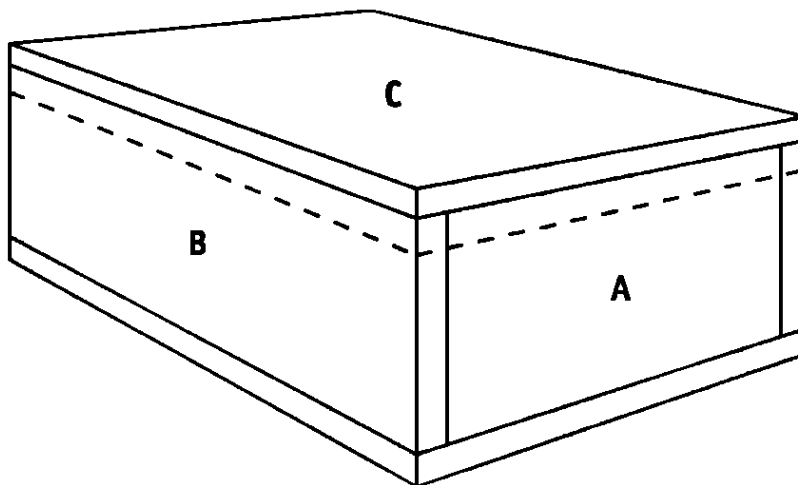
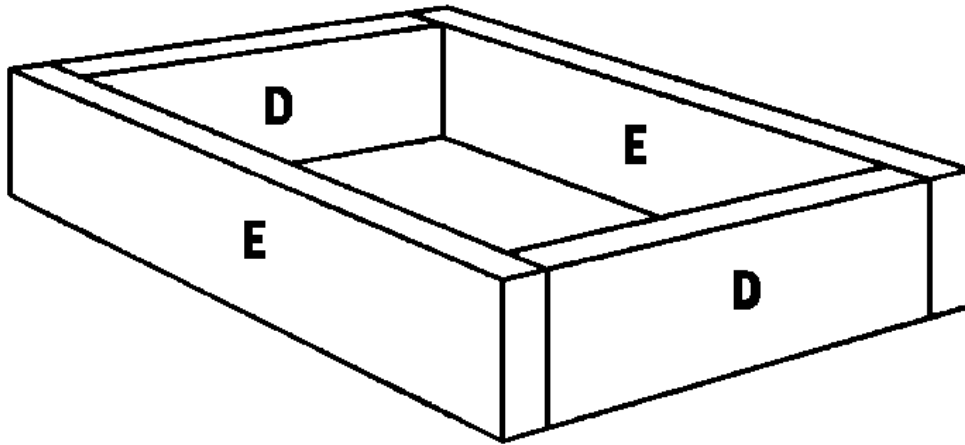


Figure 2

Making the Tray

1. Cut two Tray Sides (D) from 1 x 3 cedar, each measuring 6 inches.
2. Cut two Tray Front/Backs (E) from 1 x 3 cedar, each measuring 7-3/4 inches.
3. Place two Tray Front/Backs (E) on edge parallel to each other and 7 inches apart. Place the ends of the two Tray Sides (D) between the Tray Front Backs (E) as shown in *Figure 3*.

Apply glue to the meeting surfaces, and nail through the Tray Front/Backs (E) into the ends of the Tray Sides (D) using two 1-1/2" finish nails on each joint.



4. Cut one Tray Bottom (F) from 1 x 8 cedar, measuring 6 x 6-1/4 inches. This piece will fit inside the Tray Sides and Front/Backs (D and E), as shown in *Figure 4*. Apply glue to the meeting surfaces, and nail through the Tray Sides (D) and Tray Front/Backs (E) into the ends and edges of the Tray Bottom (F) using 1-1/2" finish nails spaced 2 inches apart.

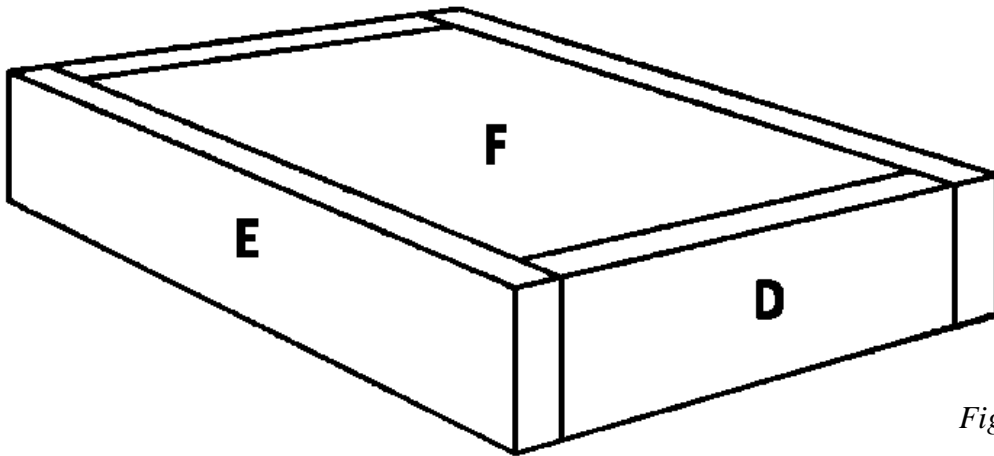


Figure 4

Finishing

1. Fill any cracks, crevices, or screw holes with wood filler.
2. Thoroughly sand all surfaces of the completed cedar box.

3. Seal and paint or stain your completed cedar box the color of your choice.
4. Attach the hinges to the lid and box.



**Enjoy many other exciting indoor
and outdoor projects from
www.wowimadeit.com**

