



## **B**irdhouse Table

*This whimsical table is one of our favorite projects, because it never fails to produce a smile on the faces of our backyard guests. Not only is it cheerful to behold but the glass top makes it a practical addition to any outdoor room. We hope you will enjoy having one in your backyard.*



### **Special Tools and Techniques**

- Miter

### **Materials and Supplies**

- 1 4' x 4' sheet of ½" thick plywood
- 7 linear feet of 1 x 1 pine
- 1 4' x 4' sheet of ¼" thick plywood
- 32 linear feet of ¾" screen molding
- 4 linear feet of 1-1/4" L-shaped molding
- 8 linear feet of 2 x 4 pine
- 2 linear feet of 2 x 2 pine
- 1 bundle of cedar shingles

### **Hardware**

- 70 1-1/4"-long 3d finishing nails
- 40 ½" long wire brads
- 200 1" wire brads
- 10 2-1/2" 8d finishing nails
- 8 3"-long screws

- 4 corrugated metal fasteners
- 2 small drawer pulls

### **Cutting List**

<b>Code</b>	<b>Description</b>	<b>Qty.</b>	<b>Materials</b>	<b>Dimensions</b>
A	Front/Back	2	1/2" plywood	16 x 24
B	Corner Supports	4	1 x 1 pine	17" long
C	Side	2	1/2" plywood	17" x 18"
D	Outer Roof	2	1/4" plywood	10" x 23-1/2"
E	Inner Roof	2	1/4" plywood	8 x 23-1/2"
F	Side Trim	4	3/4" screen molding	16-1/2" long
G	Center Trim	1	3/4" screen molding	17" long
H	Outer Trim	4	3/4" screen molding	18" long
I	Roof Trims	8	3/4" screen molding	cut to fit
J	Peak Cover	2	1-1/4" L molding	23-1/2" long
K	Doors	2	1/4" plywood	8-1/2" x 4-1/2"
L	Horizontal Door Trim	4	3/4" screen molding	3" long
M	Vertical Door Trim	4	3/4" Screen molding	8-1/2" long
N	Window	4	1/4" plywood	4-1/2" x 4-1/2"
O	Horizontal Window Trim	8	3/4" screen molding	3" long
P	Vertical Window Trim	8	3/4" screen molding	4-1/2" long
Q	Long Base	2	2 x 4 pine	23-1/2" long
R	Short Base	2	2 x 4 pine	21" long
S	Chimney	2	2 x 2 pine	10" long

### **Building the Basic House**

1. Following the pattern in *Figure 1*, cut two Front/Backs (A) from 1/2"-thick plywood. Designate one as "Front" (A) and one as "Back" (A).

2. Drill four 1-1/4"-diameter holes in the Front (A), following the placement shown in *Figure 1*. Do not drill any holes in the Back (A).

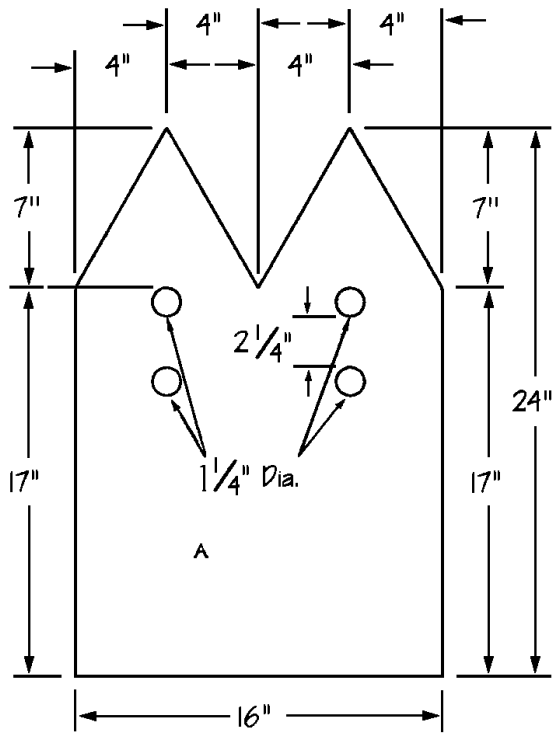


Figure 1

Place the Front (A) perpendicular to the Side (C), matching the 17" edges, as shown in *Figure 3*. Make certain that the outside edges are flush, then apply glue to the meeting surfaces, and nail through the Front (A) into the Corner Supports (B) using four evenly spaced 1-1/4"-long finishing nails.

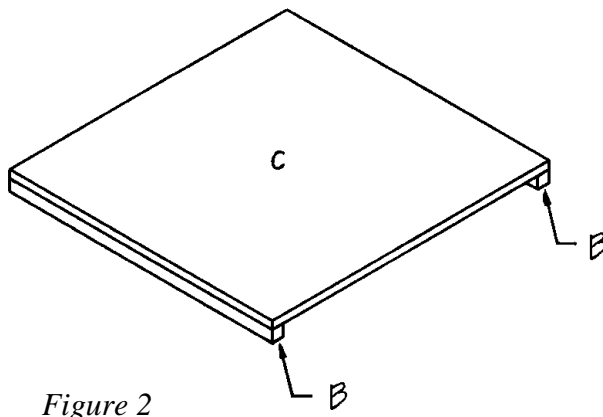


Figure 2

3. Cut four Corner Supports (B) from 1 x 1 pine, each measuring 17" long.
4. Cut two Sides (C) from 1/2"-thick plywood, each measuring 17" x 18".
5. Place two Corner Supports (B) parallel to each other and 16-1/2" apart. Place one Side (C) over the Corner Supports (B), matching 17"-long edges, as shown in *Figure 2*. Apply glue on the meeting surfaces, and nail through the Side (C) into the Corner Supports (B) using four evenly spaced 1-1/4"-long finishing nails.
6. Repeat Step 5 to attach the remaining two Corner Supports (B) to the remaining Side (C).
7. Place the Side (C) [with Corner Supports (B) on the top] on a level surface. Place the Front (A) perpendicular to the Side (C), matching the 17" edges, as shown in *Figure 3*. Make certain that the outside edges are flush, then apply glue to the meeting surfaces, and nail through the Front (A) into the Corner Supports (B) using four evenly spaced 1-1/4"-long finishing nails.
8. Repeat Step 7 to attach the Back (A) to the opposite side of the Side (C).
9. Position the remaining Side (C) over the assembly, aligning the 17"-long edges, as shown in *Figure 4*. Apply glue to the meeting surfaces and nail through the Side (C) into the Corner Supports (B) using 4 evenly-spaced 1-1/4"-long nails on each joint.

## Adding the Roof

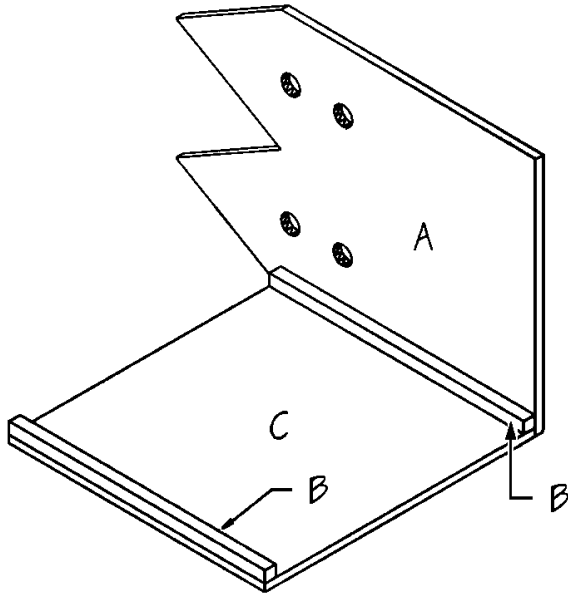


Figure 3

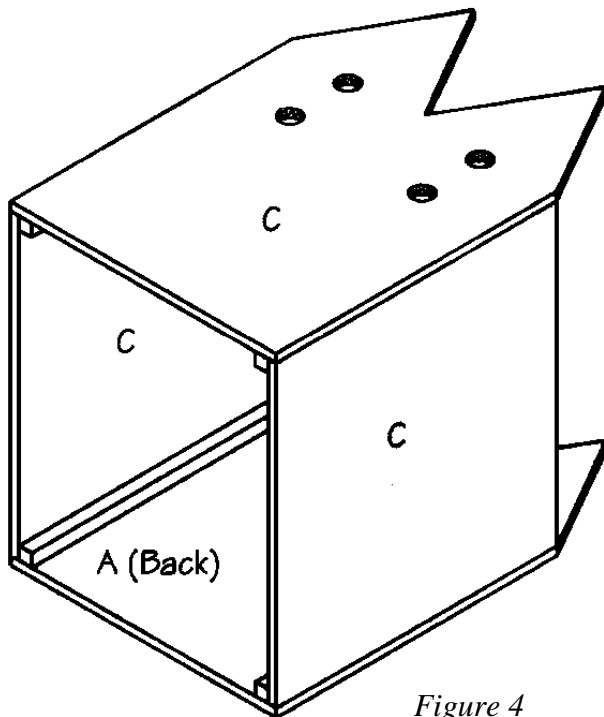


Figure 4

1. Cut two Outer Roofs (D) from 1/4"-thick plywood each measuring 10 x 23-1/2".
2. Turn the assembly right side up, and fit one Outer Roof (D) over one top outer side of the assembly, over the edges of the Front (A), Back (A) and Side (C), as shown in *Figure 5*. The Outer Roof (D) should be flush with the top points of the Front and Back (A), and should extend 2" past the Front (A), Back (A) and Side (C) as shown in *Figure 5*. Apply glue to the meeting surfaces, and nail through the Outer Roof (D) into the edges of the Front (A), Back (A), and Side (C) using 1"-long wire brads spaced about 2" apart.
3. Repeat Step 2 to attach the remaining Outer Roof (D) to the opposite side of the house.
4. Cut two Inner Roofs (E) from 1/4"-thick plywood, each measuring 8 x 23-1/2".
5. Place one Inner Roof (E) over the edges of the Front (A) and Back (A). Check to make certain that the Inner Roof (E) does not overlap the edge of the Outer Roof (D). Trim the width of the Inner Roof (E) if necessary. Apply glue to the meeting surfaces, and nail through the Inner Roof (E) into the Front (A) and Back (A) using four evenly spaced 1"-long wire brads on each joint.

- Repeat Step 5 to attach the remaining Inner Roof (E) to the opposite side of the assembly.

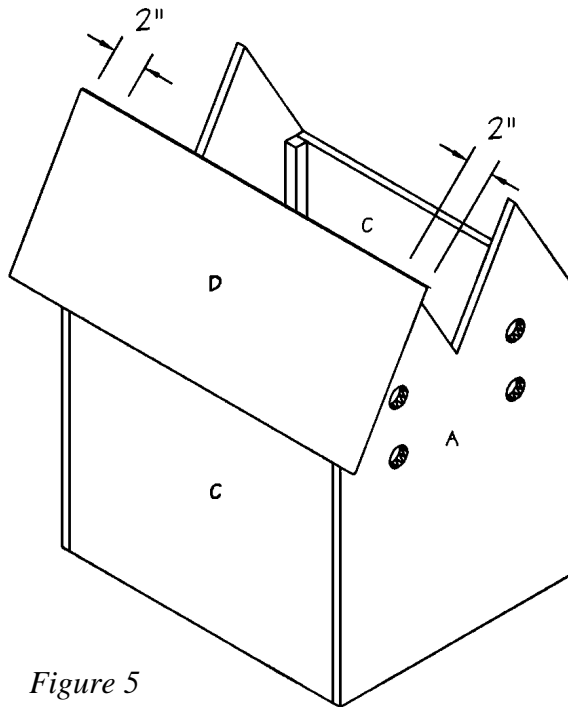


Figure 5

## Adding the Trim

- The next step is to add trim pieces to the front, corners, and roof of the birdhouse. If you wish to paint your birdhouse, it is a good idea to do it now before the trim pieces are added.
- Cut four Sides Trims (F) from 3/4"-thick screen molding, each measuring 16-1/2" long.
- Attach one Side Trim (F) flush with the bottom edge of the Side (C), over the joint between the Front (A) and Side (C). The Side Trims are 1/2" shorter than the Sides (C) to accommodate the pitch of the roof. Apply glue to the meeting surfaces, and nail through the Side Trim (F) into the edge of the Front (A) using 1"-long wire brads spaced two inches apart.
- Repeat Step 3 three more times to attach the remaining Side Trims (F) over the remaining joints between the Sides (C) and the Front (A) and Back (A).
- Cut one Center Trim (G) from 3/4"-thick screen molding, measuring 17 inches.
- Place the Center Trim (G) on the Front (A) centered horizontally, as shown in *Figure 6*. Apply glue to the meeting surfaces, and nail through the Center Trim (G) into the Front (A) using 1" wire brads spaced two inches apart.
- Cut four Outer Trims (H) from 3/4"-wide screen molding, each measuring 18" long. Place the first Outer Trim (H) over the joint between the Side Trim (H) and the Front (A). Mark the angle and cut the top end of the Outer Trim (H) to the proper angle. Apply glue to the meeting surfaces, and nail through the Outer Trim (H) into the Front (A) using 1" wire brads spaced two inches apart.

- Refer to the photograph to measure and cut eight Roof Trims (I) from 3/4"-wide screen molding to fit over the exposed edges of the Outer and Inner Roofs (D and E), mitering them as shown in the photo.

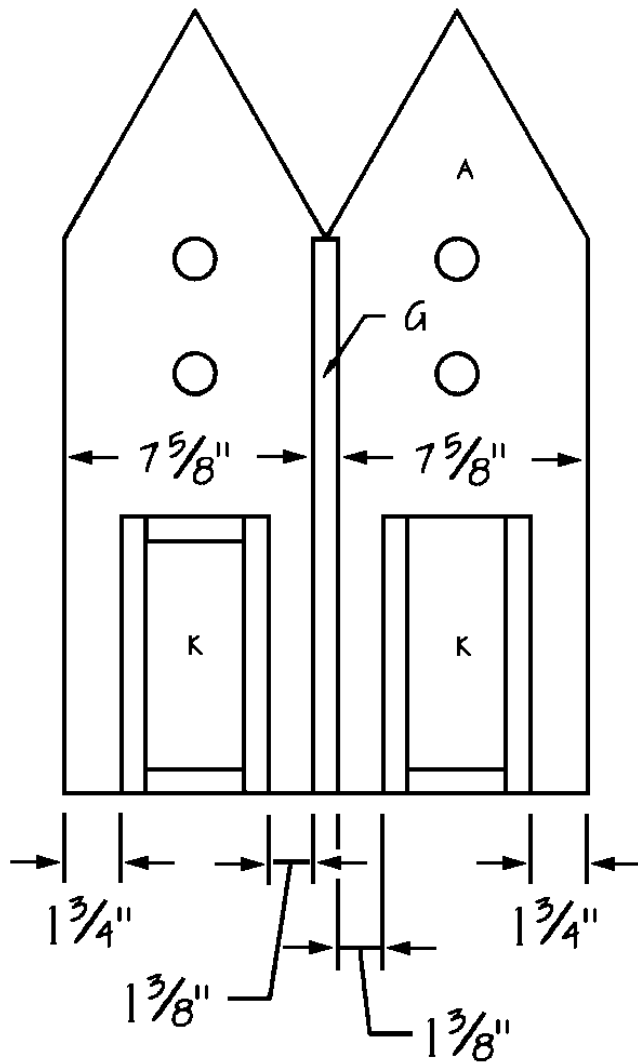
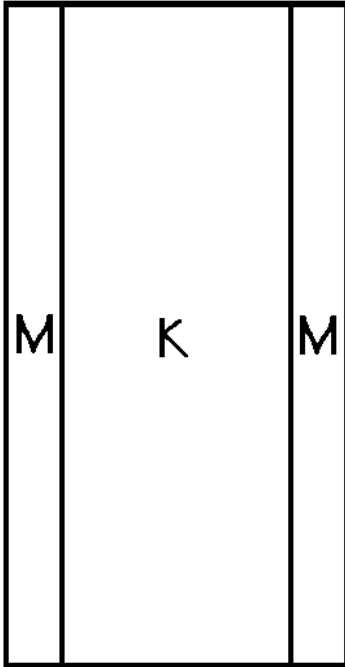


Figure 6

## Adding the Shingles

- We cut out regular-size shingles into 6-inch lengths to match the reduced size of the birdhouse. It is better to work with the top portion of the original shingle, since that portion is thinner than the bottom edge. It is not difficult to shingle, and since the finished project should look somewhat rustic, the job is even easier.
- Begin attaching the first row of shingles with 1-inch wire brads, just overlapping the bottom edge of one Outer Roof (D). Each shingle should be nailed twice to prevent shifting. Choose varying widths of shingles as you work across each row for a random look. A row of narrow shingles followed by a row of wide shingles will look odd. Add a second row, overlapping the first row, about 3-1/2 " higher. Add a third row in the same manner. You may need to re-trim the length of the shingles on the third row to make certain they don't extend past the roof peak.
- Repeat the application of shingles on the remaining Outer Roof (D).
- Next shingle the two Inner Roofs (E). These are shingled in the same manner, except that the Inner Roofs (E) are shorter, and therefore require only two rows of shingles. Try to match the rows of shingles on the Inner Roofs (E) to the rows on the Outer Roofs (D).
- Cut two Peak Covers (J) from 1-1/4" L-shaped molding, each measuring 23-1/2 " long.

6. Apply glue to the meeting surfaces, and nail the Peak Covers (J) over the shingles on the roof peak, using 1-1/4"-long finishing nails spaced 2" apart.



### **Adding the Doors**

1. Cut two Doors (K) from 1-1/4"-thick plywood, each measuring 8-1/2 x 4-1/2 ".
2. Cut four Horizontal Door Trims (L) from 3/4"-wide screen molding, each measuring 3"-long.
3. Cut four Vertical Door Trims (M) from 3/4"-wide screen molding, each measuring 8-1/2 ".
4. Lay one Door (K) on a flat surface, and place two Vertical Door Trims (M) flush with the outer 8-1/2" edges of the Door (K), as shown in *Figure 7*. Apply glue to the meeting surfaces, and nail through the Vertical Door Trims (M) into the Door (K), using four 1/2 " wire brads on each joint.

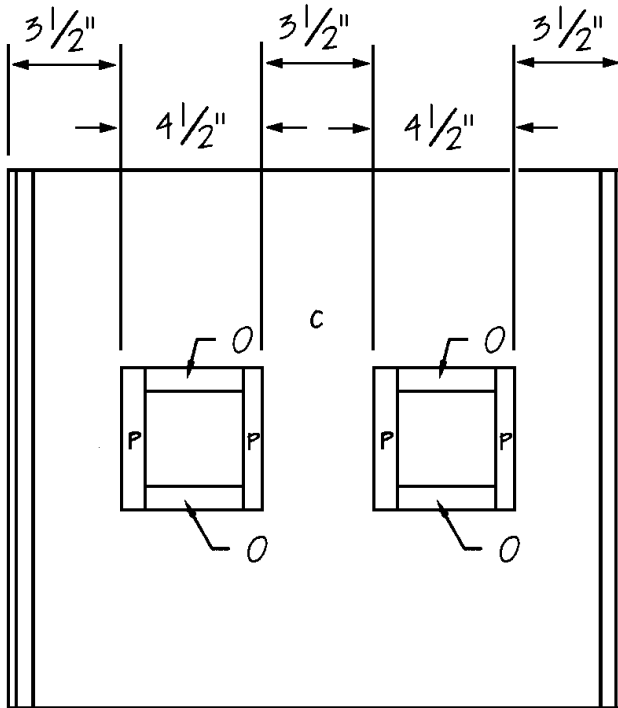
*Figure 7*

5. Place the two Horizontal Door Trims (L) between the two Vertical Door Trims (M), flush with the 4-1/2-" edge of the Door (K). Apply glue to the meeting surfaces, and nail through the Horizontal Door Trims (L) into the Door (K), using two 1/2 " wire brads on each joint.
6. Repeat Steps 4 and 5 to assemble a second door.
7. Using *Figure 6* as a guide, attach the two completed doors to the Front (A). Apply glue to the meeting surfaces, and nail through the assembled door into the Front (A) using a 1" wire brad in each corner of the door.
8. Attach a small drawer pull to each of the doors for door handles.

### **Adding the Windows**

1. Cut four Windows (N) from 1/4"-thick plywood, each measuring 4-1/2" square.

2. Cut eight Horizontal Window Trims (O) from 3/4"-wide screen molding, each measuring 3 inches.



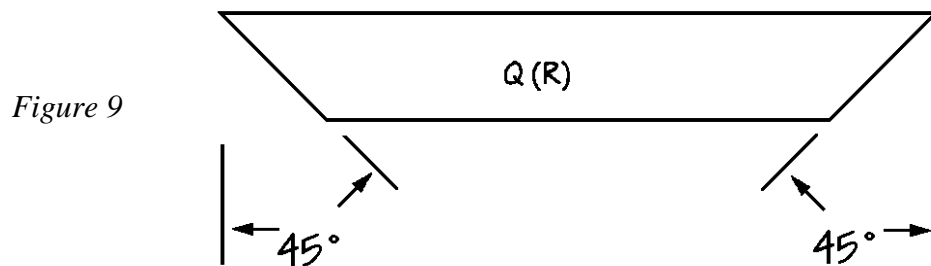
3. Cut eight Vertical Window Trims (P) from 3/4"-wide screen molding, each measuring 4-1/2 inches.



4. Lay one Window (N) on a flat surface, and place two Vertical Window Trims (P) flush with the outer edges of the Window (N), in the same manner you used for the door trims. Apply glue to the meeting surfaces, and nail through the Vertical Window Trims (P) into the Window (N), using four ½” wire brads on each joint.
5. Position the two Horizontal Window Trims (O) between the two Vertical Window Trims (P), flush with the edges of the Window (N). Apply glue to the meeting surfaces, and nail through the Horizontal Window Trims (O) into the Window (N), using two ½” wire brads on each joint.
6. Repeat Steps 4 and 5 three more times to assemble three more windows.
7. Using *Figure 8* as a placement guide, attach two windows to each Side (C). Apply glue to the meeting surfaces, and nail through the completed window into the Side (C) using one 1-inch wire brad on each corner of the window.

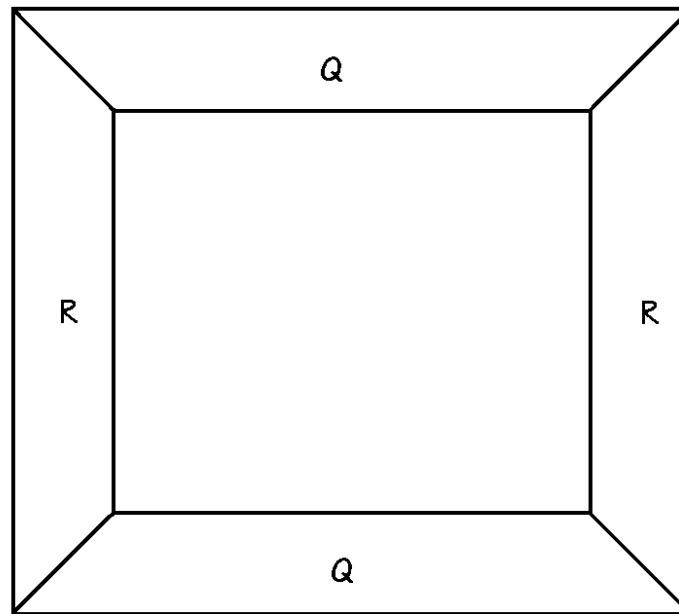
## Adding the Base

1. Cut two Long Bases (Q) from 2 x 4 pine, each measuring 23-1/2” long.
2. Cut two Short Bases (R) from 2 x 4 pine, each measuring 21” long.
3. Miter the ends of the Long and Short Bases (Q and R) at opposing 45-degree angles, as shown in *Figure 9*.



4. Position the two Long Bases (Q) on a flat surface, parallel to each other and 14 “ apart. Fit the two Short Bases (R) at the ends of the two Long Bases (Q) to form a 23-1/2 x 21” rectangle, as shown in *Figure 10*. Apply glue to the meeting surfaces, and screw through both sides of each corner using two 3” screws on each corner. Reinforce each joint by adding a corrugated metal fastener across the inner corner of each joint.
5. Center the assembled birdhouse table over the base, making certain that the base extension is the same on all four sides. Toenail through the lower edges of the Front (A), Back (A) and Sides (C) into the base, using 2-1/2” finish nails spaced about every 2 inches around the perimeter.

- An optional step at this point is to measure and miter 3/4"-wide screen molding around the vertical trims at all four corners.



*Figure 10*

## **Adding the Chimneys**

- To help support the glass tabletop, we added two chimneys to the birdhouse. Cut two Chimneys (S) from 2 x 2 pine, each measuring 10 inches.
- Hold the Chimney (S) so that one end is level with the top of the birdhouse roofs, and mark the and mark the roof angle on the Chimney (S), so that the top of the Chimney (S) will sit level with the peak of the roof. Use the mark to trim the Chimney (S).
- Repeat Step 2 to trim the remaining Chimney to fit the opposite side of the roof.
- Apply glue to the meeting surfaces, and attach both Chimneys (S) to the roof, halfway between the front and back of the birdhouse. Nail through the lower ends of the Chimney (S) into the shingled roof, using two 2-1/2" finishing nails on each Chimney (S).

## **Finishing**

- Fill any cracks, crevices, and nail holes with wood filler.
- Sand the wood filler and any other unsanded surfaces.
- Paint or stain the remaining portions of the birdhouse table, or simply seal it with a clear varnish.

4. Place the circular glass tabletop on the completed birdhouse base.



**Enjoy other indoor and outdoor projects from [www.wowimadeit.com](http://www.wowimadeit.com). When your friends and neighbors see your terrific backyard, they'll want to know where you got such customized outdoor furniture! Even if they're not experienced woodworkers, they'll find an easy project to get them hooked at [www.wowimadeit.com](http://www.wowimadeit.com)!**