



Bathroom Cabinet

This timeless bathroom cabinet is at home with any décor! Whether your tastes are traditional or modern, this handy storage unit will fit right in. Use it to store extra towels, cologne and perfumes, and other bathroom necessities.

Materials

- 18 linear feet of 1 x 2 pine
- 4 linear feet of 1 x 8 pine
- 2 pieces of double-strength glass (1/8" thick), each 5-7/8 x 19-3/8"
- 1 piece of double-strength glass (1/8" thick) 15-1/4 x 19-1/4"
- 1 piece of 1/2" plywood, 18" x 22"

Special Tools and Techniques

- Bar clamps
- Miterers
- Dadoes

Hardware

- 36 1-1/2" (4d) finish nails
- 10 1-1/2" screws
- 12 corrugated fasteners (or 24 1-1/2" (4d) finish nails)
- 1 cabinet pull
- 2 cabinet hinges
- 1 door catch



Cutting List

Code	Description	Qty	Materials	Dimensions
A	Vertical Side	4	1 x 2 pine	22" long
B	Horizontal Side	4	1 x 2 pine	8 1/2" long
C	Side Glass	2	2 double-strength glass	5-7/8" x 19-3/8"
D	Back	1	1/2" plywood	22" x 18"
E	Shelf	2	1 x 8 pine	18" long
F	Top/Bottom	2	1 x 10 pine	22" long
G	Door Side	2	1/2 pine	21 7/8" long
1	Door Glass	1	double-strength glass	15-1/4" x 19-1/4"

Building the Cabinet Sides

- Each of the two sides of the cabinet, and the door is a 1 x 2 frame which has been slotted in the center in the center to accommodate a piece of glass. Dado a total of 18 linear feet of 1 x 2 pine down the center of one edge the width of a saw kerf (about 1/8") and 1/4" deep, as shown in *Figure 1*. This may be done with a circular saw with a ripping fence, a table saw, or a router with a 1/8" straight cutter.
- Cut four vertical sides (A) from the dadoed 1 x 2 pine, each measuring 22 inches long.
- Miter each end of the four vertical sides (A) at opposing 45-degree angles, as shown in *Figure 2*. Make certain that the dadoed edge is on the short side of each piece.
- Cut four horizontal sides (B) from the dadoed 1 x 2 pine, each measuring 8-1/2 inches long.
- Miter each end of the four horizontal sides (B) at opposing 45-degree angles, as shown in *Figure 2*. Again, make certain that the dadoed edge is on the short side of each piece.

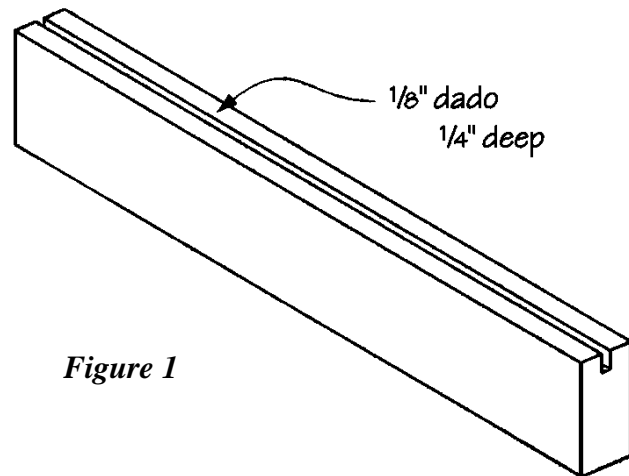


Figure 1

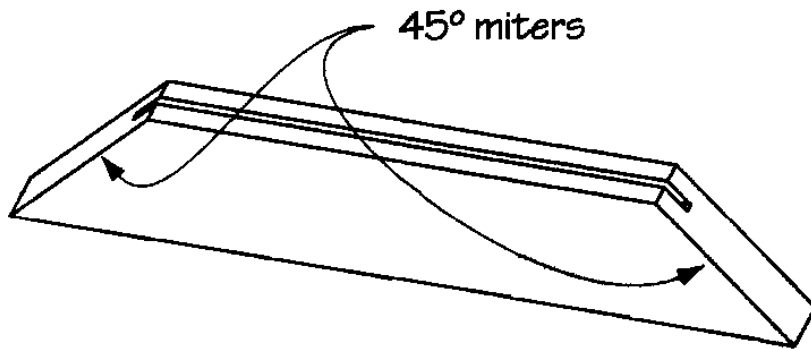


Figure 2

6. Place two vertical sides (A) on a level surface, parallel to each other and 5-1/2" apart, as shown in *Figure 3*. Fit two horizontal sides (B) between the ends of the vertical sides (A), matching miters. Fit one side glass (C) into the dados cut in all four sides. Make certain that the assembly is square. Apply glue to the miters, and use corrugated fasteners across each of the corner joints to secure them. You may choose to clamp these pieces together while you drive 1-1/2" 4d finishing nails into the edge near each corner and across the miter joint. Use two opposing nails at each joint.

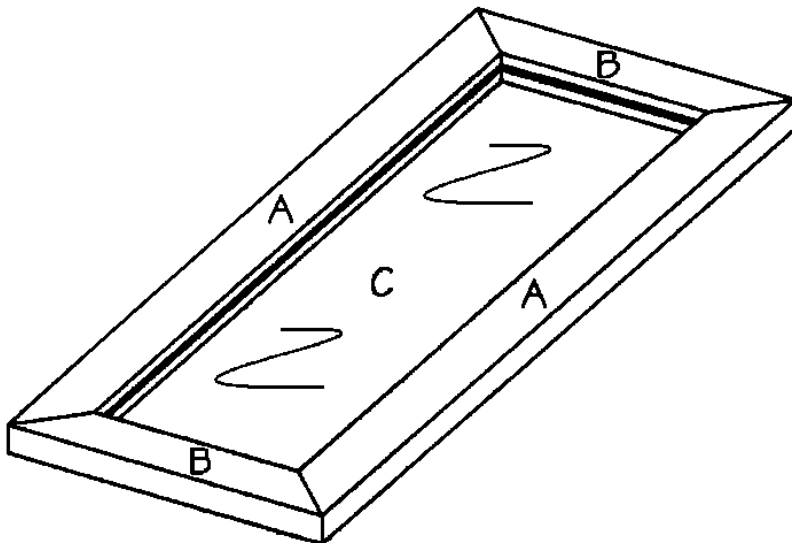


Figure 3

7. Repeat Step 6 to assemble a second cabinet side.

Completing the Cabinet

1. Cut one back (D) from 1/2" plywood, measuring 18 x 22 inches.
2. Place the two assembled sides on edge on a level surface, parallel to each other and 18

inches apart. Place the back (D) between the two sides, matching the 22-inch-long edges, as shown in *Figure 4*. Screw through the vertical sides (A) into the edges of the back (D) using five 1-1/2" screws on each joint.

3. Cut two shelves (E) from 1 x 8 pine, each measuring 18 inches long.

4. Fit one shelf (E) between the two side assemblies, 6 inches from the bottom of the cabinet, and flush against the back (D), as shown in *Figure 5*. Nail through the cabinet vertical sides (A) into the shelf (E) using two 1-1/2" 4d-finishing nails on each joint.

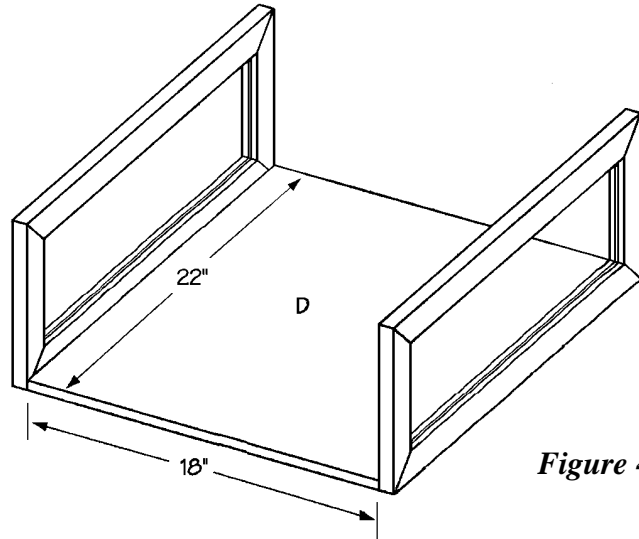


Figure 4

5. Repeat Step 4 to attach the second shelf (E) 6 inches above the first, as shown in *Figure 5*.

6. Cut two top/bottoms (F) from 1 x 10 pine, each measuring 22 inches long.

7. Each of the top/bottoms (G) will be centered side-ways on the open ends of the cabinet assembly and placed flush with the back of the cabinet as shown in *Figure 6*. Apply glue to the ends of the side assembly and the edge of the back, and nail through the cabinet top/bottoms into the edges of the back and side assemblies, using 1-1/2" 4d finishing nails spaced every 4 inches.

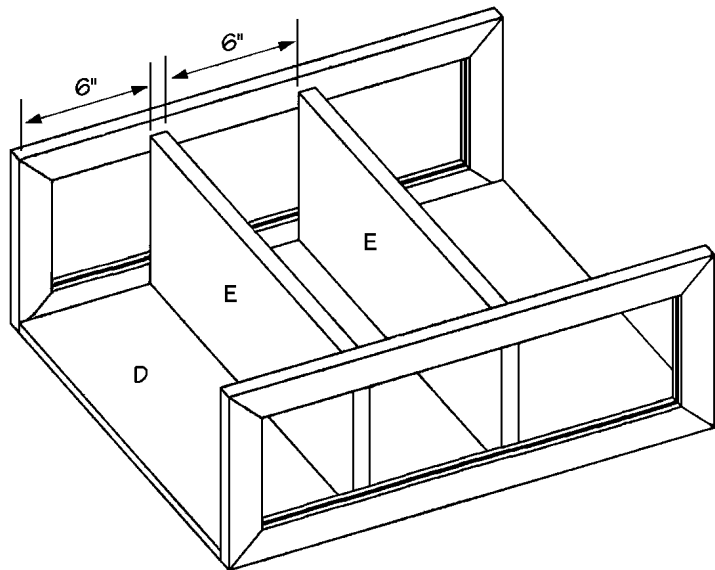


Figure 5

Making the Door

1. The cabinet door, like the sides of the cabinet, is a 1 x 2 frame which has been dadoed in the center to accommodate a piece of glass.

2. Cut two door sides (G) from the remaining dadoed 1 x 2 pine, each measuring 21-7/8" long.
3. Miter each end of both door sides (G) at opposing 45-degree angles, as shown in *Figure 2*. Make certain that the dadoed edge is on the short side of each piece.

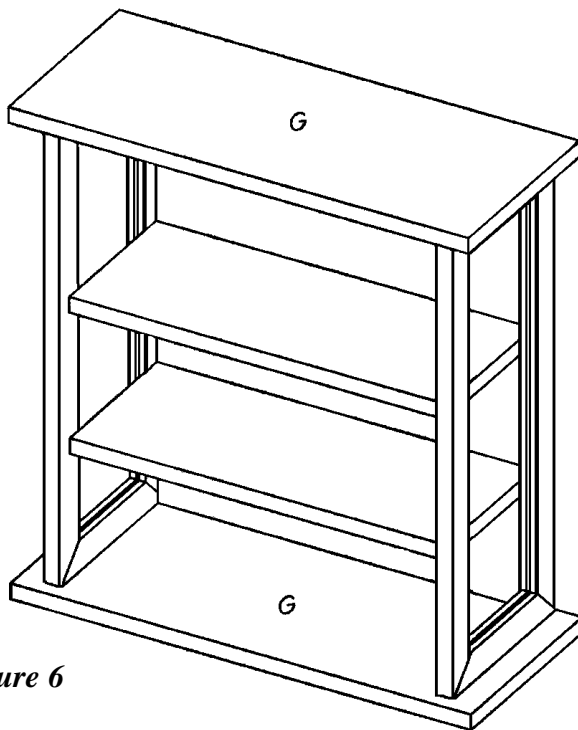


Figure 6

4. Cut two door top/bottoms (H) from the dadoed 1 x 2 pine, each measuring 17-7/8" long.
5. Miter each end of both door top/bottoms (H) at opposing 45-degree angles, as shown in *Figure 2*. Again, make certain that the dadoed edge is on the narrow side of each piece.
6. Place the two doors sides (G) on a level surface, parallel to each other and 14-7/8" apart, in the same manner as shown in *Figure 3*. Fit two door top/bottoms (H) between the ends of the door sides (G) matching miters. Fit one door glass (I) into the dados cut in all four pieces. Make certain that the assembly is square, and use corrugated

fasteners across each of the corner joints to secure them. You may choose to clamp these pieces together while you drive 1-1/2" 4d finishing nails into the edge near each corner and across the miter joint. Use two opposing nails on each joint.

Finishing

1. Fill any screw holes or imperfections in the wood with wood filler.
2. Thoroughly sand all of the wood parts on the completed bathroom cabinet.
3. Stain or paint the bathroom cabinet the color of your choice. We painted our cabinet a bright white.
4. Install the drawer pull on the bathroom cabinet door.
5. Use two cabinet hinges to attach the door to the bathroom cabinet. It will be necessary to

chisel out a thin rectangle of wood, the length of the hinge and slightly less deep than the closed hinge is thick, on the edge of the cabinet door to accommodate each of the cabinet hinges. If necessary, install a small magnetic catch to keep the door closed.

6. You may hang your bathroom cabinet by screwing directly through the back into studs in an appropriate wall, as we did. If you cannot find suitable studs, use molly bolts to anchor the cabinet securely.