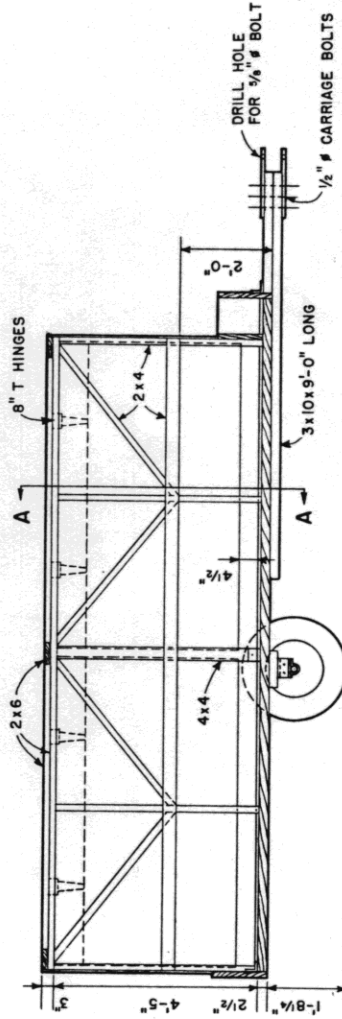
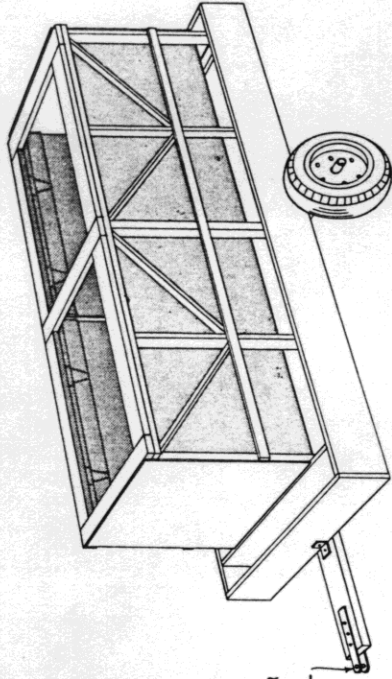


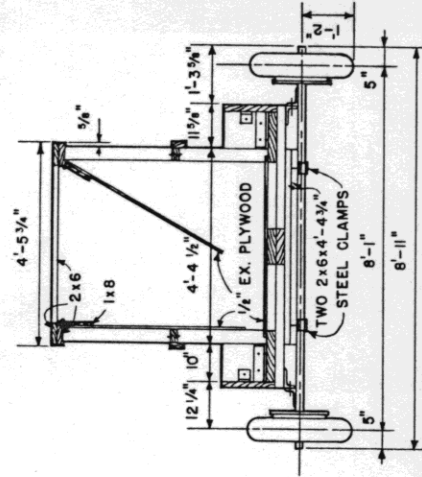
TOP VIEW OF BED FRAME

CONSTRUCTION DETAILS MAY BE MODIFIED TO USE LUMBER AT HAND. JOINTS SHOULD BE WELL NAILED. BOLT THE METAL ANGLE IRON. THIS CONSTRUCTION CAN BE ADAPTED FOR TRAILER MOUNTING, SKIDS, OR PERMANENT, IN-PLACE FEEDERS.

PERSPECTIVE



SIDE VIEW WITH THE 2x14 BOARD OFF



SECTION A-A