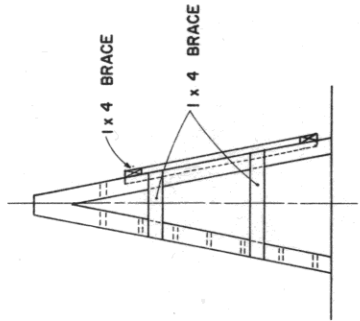
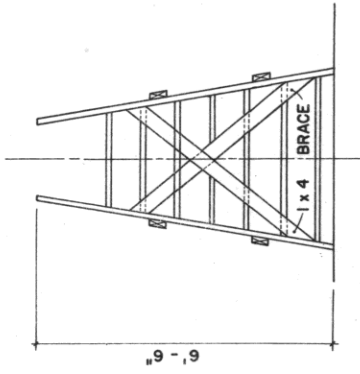


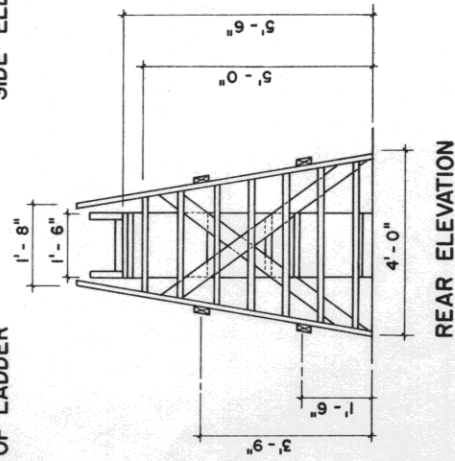
REAR ELEVATION OF LADDER



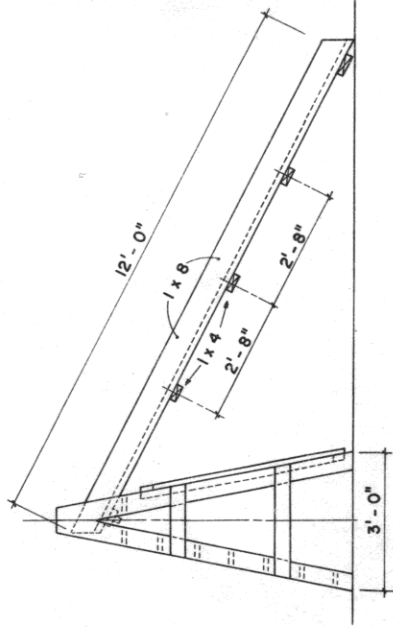
SIDE ELEVATION OF LADDER



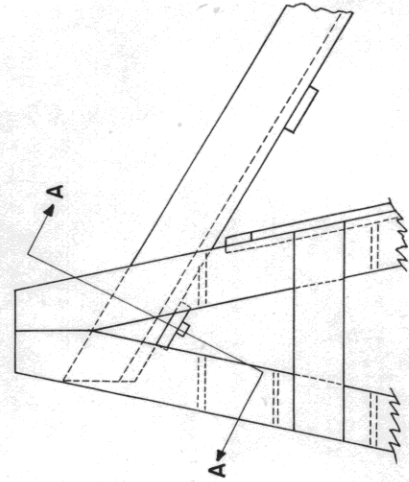
BRACING DETAIL



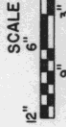
REAR ELEVATION



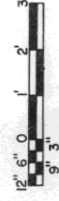
SIDE ELEVATION



SECTION A - A



SLIDING BOARD



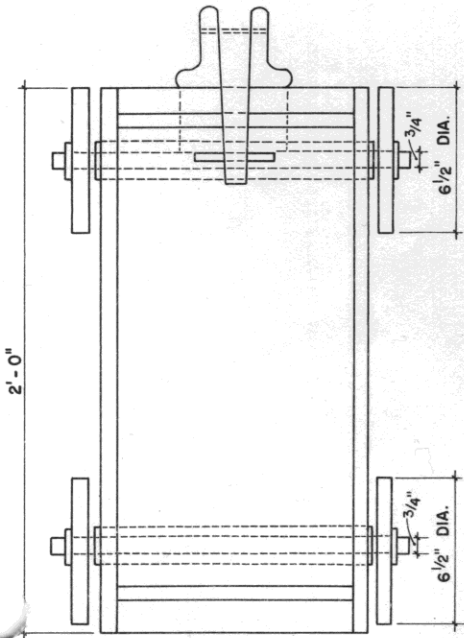
SCALE: UNLESS OTHERWISE NOTE
 COOPERATIVE EXTENSION WORK IN
 AGRICULTURE AND HOME ECONOMICS

UNITED STATES DEPARTMENT OF AGRICULTURE COOPERATING
 AND

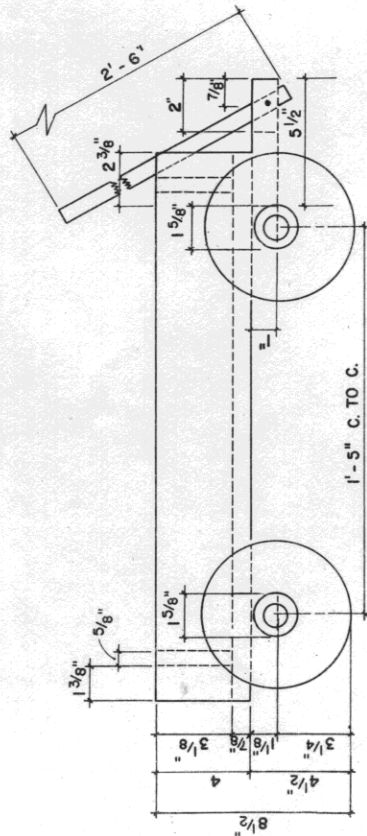
PLAYGROUND EQUIPMENT

USDA '79 EX. 6317 SHEET 1 OF 4

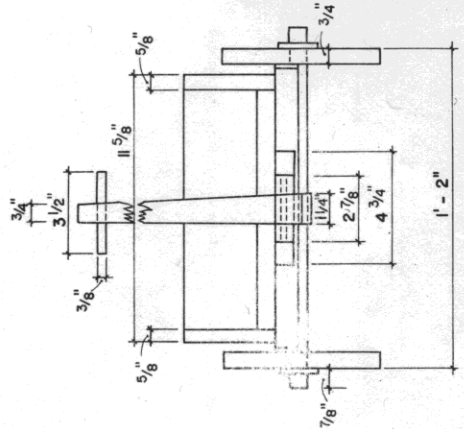
BASED ON: AUBURN UNIV. PLAN NO. E-302



PLAN

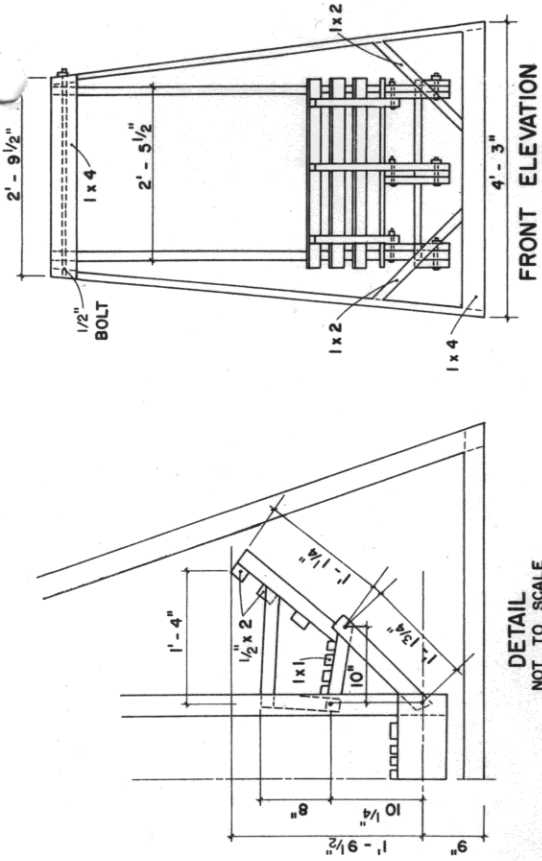
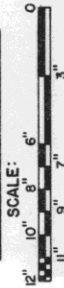


SIDE ELEVATION

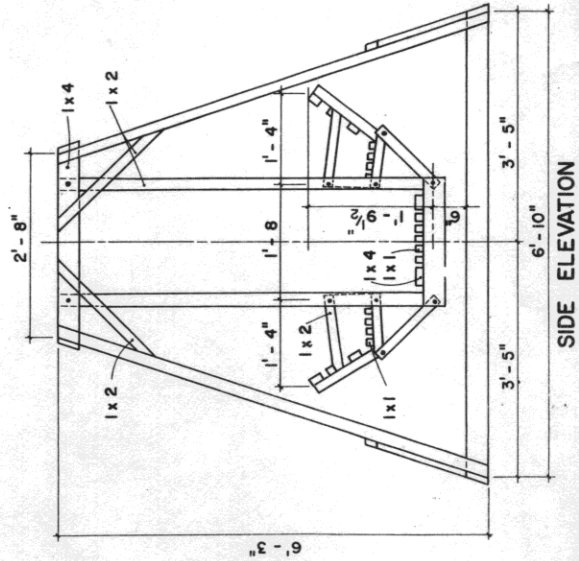


FRONT ELEVATION

CHILD'S WAGON

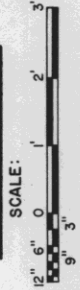


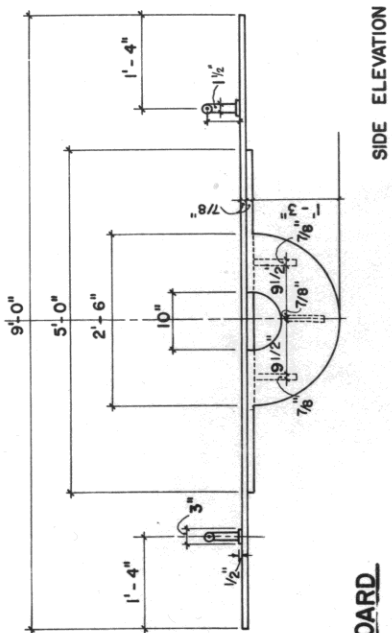
DETAIL
NOT TO SCALE



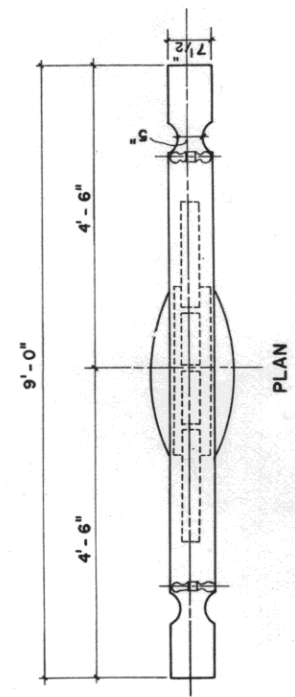
SIDE ELEVATION

CHILD'S SWING



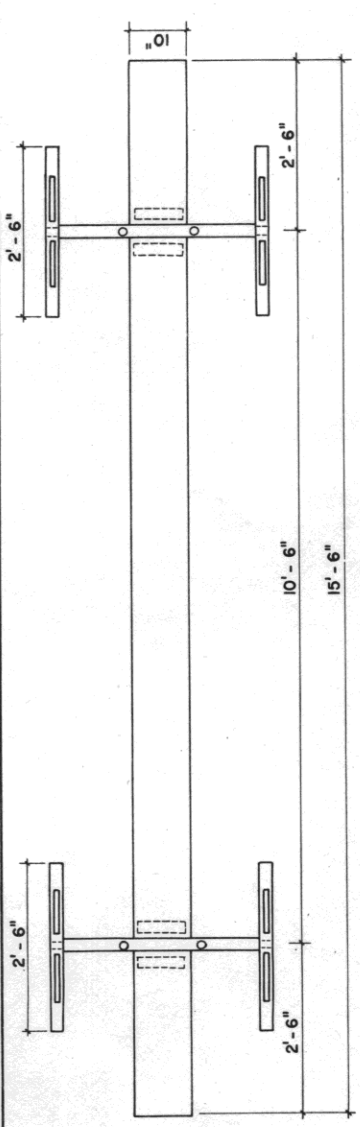
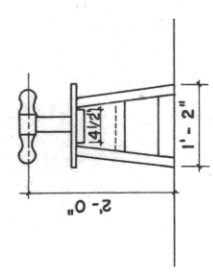


SIDE ELEVATION

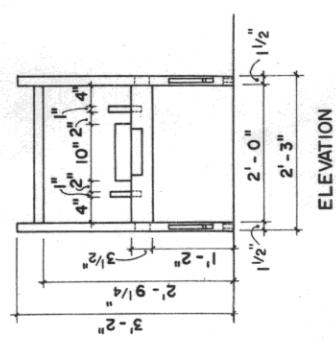


PLAN

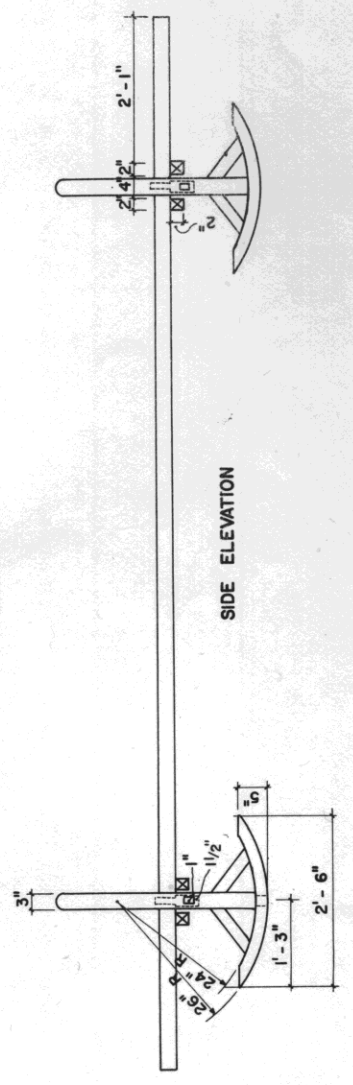
TEETER BOARD



PLAN

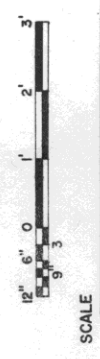


ELEVATION

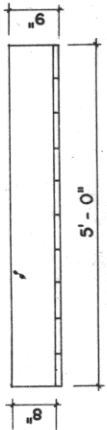


SIDE ELEVATION

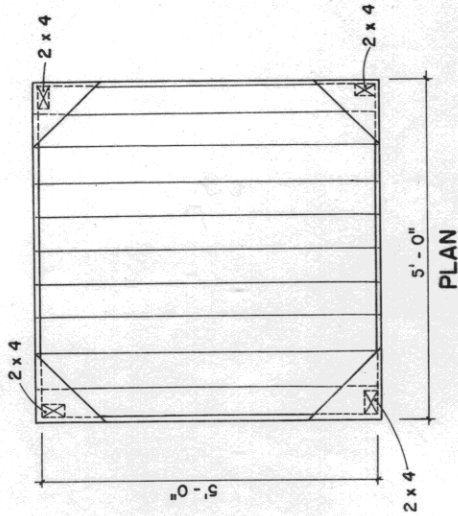
ROCKING BOARD



COOPERATIVE EXTENSION WORK IN AGRICULTURE AND HOME ECONOMICS			
UNITED STATES DEPARTMENT OF AGRICULTURE COOPERATING			
AND			
PLAYGROUND EQUIPMENT			
USDA	'79	EX. 6317	SHEET 3 OF 4

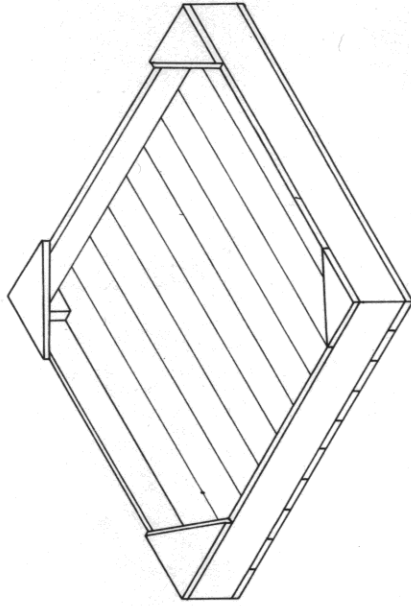


SIDE ELEVATION

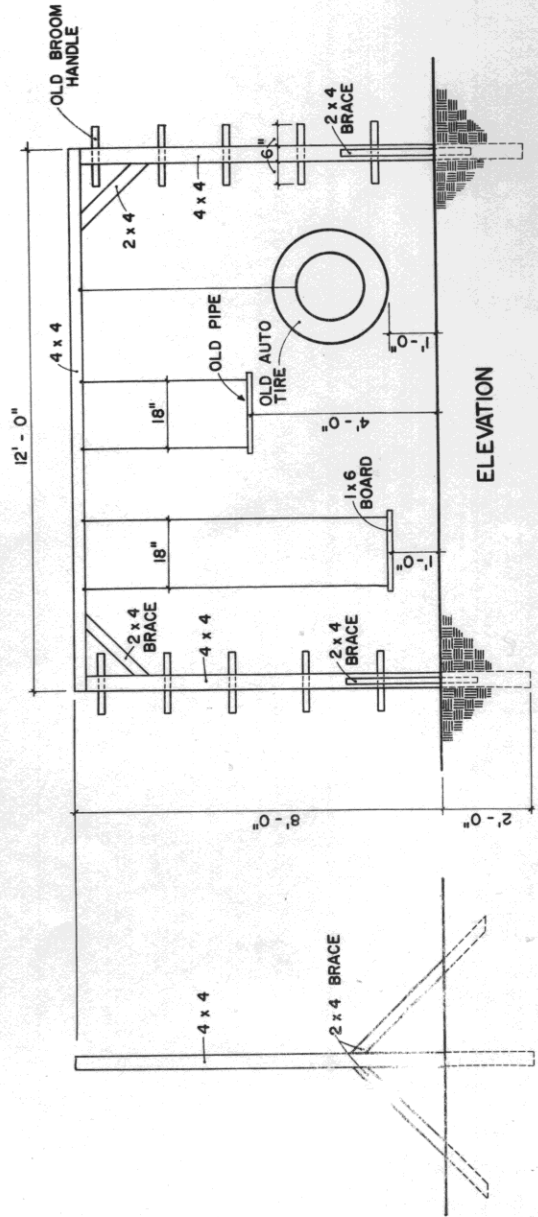


PLAN

SAND BOX
SCALE
1/2" = 6" 3" = 0'



ISOMETRIC



ELEVATION

POST DETAIL

GYM SET
1/2" = 6" 0' 1' 2' 3'
9" = 3'

COOPERATIVE EXTENSION WORK IN AGRICULTURE AND HOME ECONOMICS	
AND UNITED STATES DEPARTMENT OF AGRICULTURE COOPERATING	
PLAYGROUND EQUIPMENT	
USDA '79 EX. 6317	SHEET 4 OF 4