

12" GUARD-MOUNTED EXHAUST FAN
1150 CFM 1500 RPM 1/40 HP

3/4" EXTERIOR PLYWOOD
SECURED TO 1x3'S
WITH 6d NAILS
4" O.C. STAGGERED
CLINCHED

6d COMMON NAILS
CLINCHED

1x3

CHAIN TO SUPPORT UNIT, HEIGHT CAN BE
ADJUSTED TO MAINTAIN PROPER FOOT
CANDLE LEVEL.

ISOMETRIC

VALVE

4

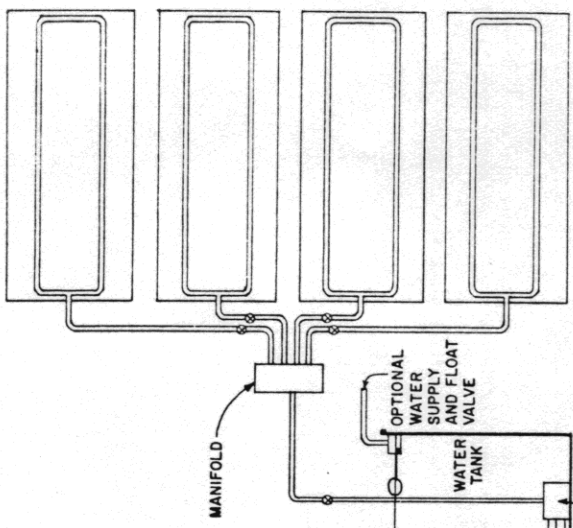
NOTES:

- ① LAMP UNIT WITH TIME CLOCK (SEE SHEET 3)
- ② POT HOLDER FRAME (SEE SHEET 2)
- ③ TRAY (SEE SHEET 2)
- ④ WATERING SYSTEM WITH TIME CLOCK (SEE SHEET 2)

COOPERATIVE EXTENSION WORK IN
AGRICULTURE AND HOME ECONOMICS
DEPARTMENT OF AGRICULTURAL ENGINEERING
UNIVERSITY OF MARYLAND
UNITED STATES DEPARTMENT OF AGRICULTURE COOPERATING

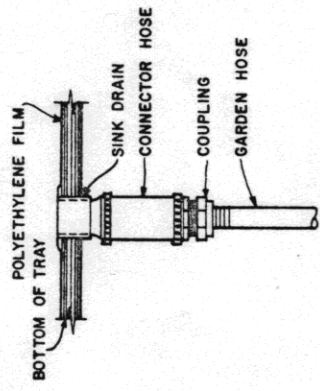
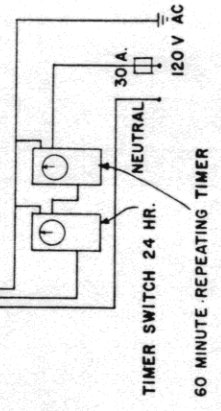
PROPAGATION UNIT FOR PLANTS

USDA '70 6101 SHEET 1 OF 3

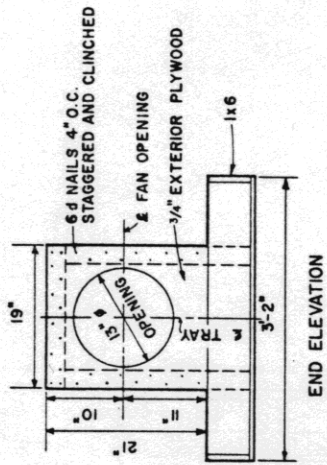


WATERING SYSTEM
 WITH TIME CLOCKS
 NO SCALE

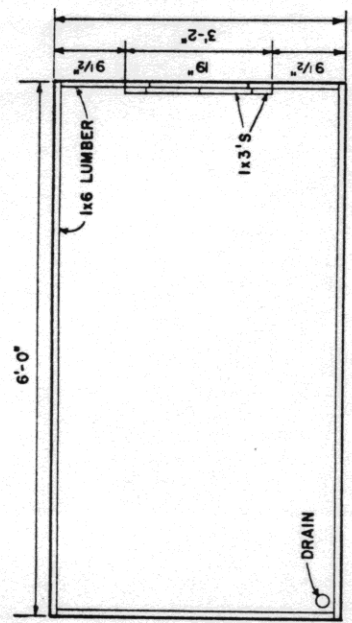
NOTE:
 IF THIS UNIT IS INSTALLED IN A POORLY VENTILATED OR CLOSED ROOM IT WILL BE NECESSARY TO AIR CONDITION AS FOLLOWS, 4 FT. LAMP UNITS - 3/4 TON AIR CONDITIONER 6 AND 8 FT. LAMP UNITS - 1 TON AIR CONDITIONER



DETAIL OF DRAIN
 NO SCALE

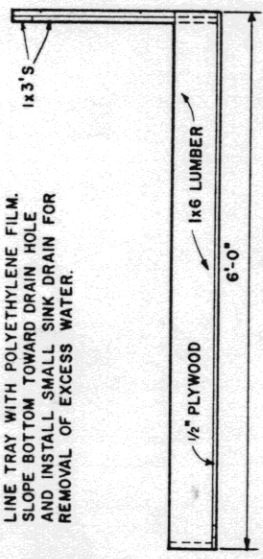


END ELEVATION



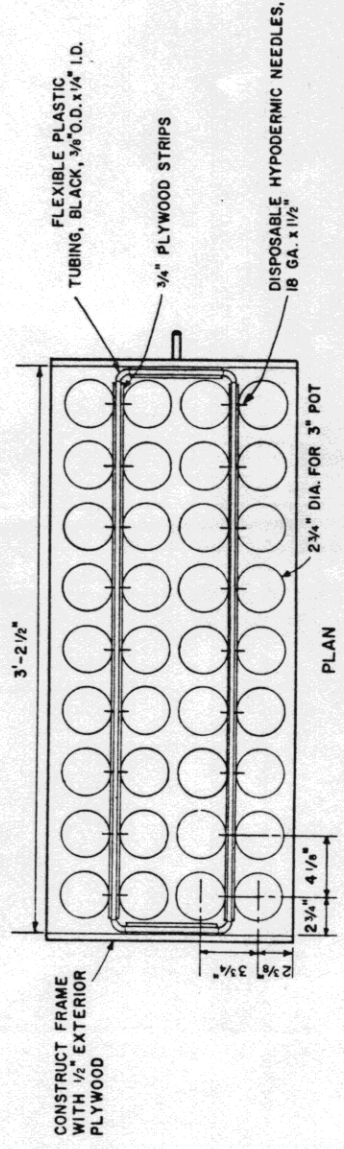
PLAN

NOTE:
 LINE TRAY WITH POLYETHYLENE FILM. SLOPE BOTTOM TOWARD DRAIN HOLE AND INSTALL SMALL SINK DRAIN FOR REMOVAL OF EXCESS WATER.

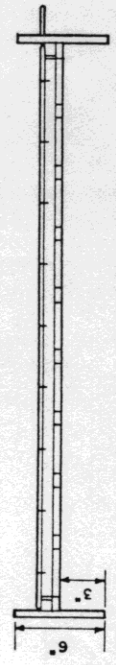


SIDE ELEVATION

DETAILS OF TRAY
 SCALE: 0 1 FT.

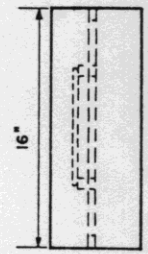


CONSTRUCT FRAME WITH 1/2" EXTERIOR PLYWOOD

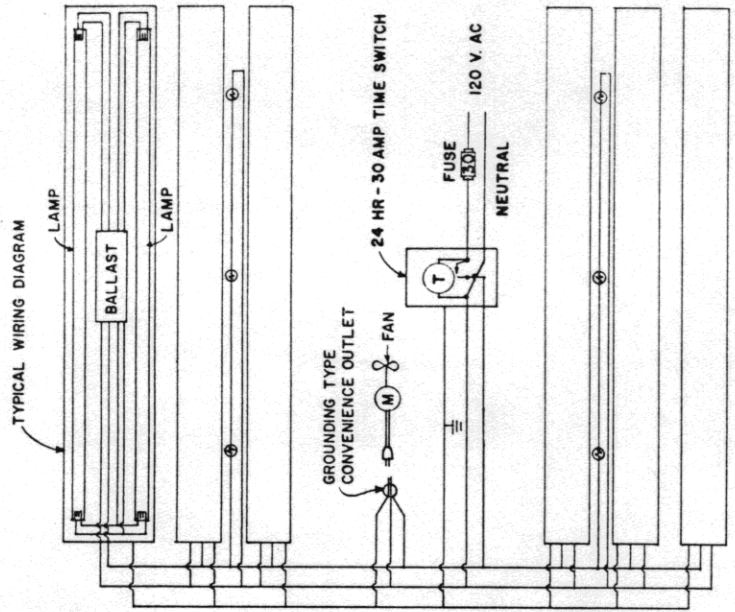


SIDE ELEVATION

DETAILS OF POT HOLDER FRAME
 NO SCALE

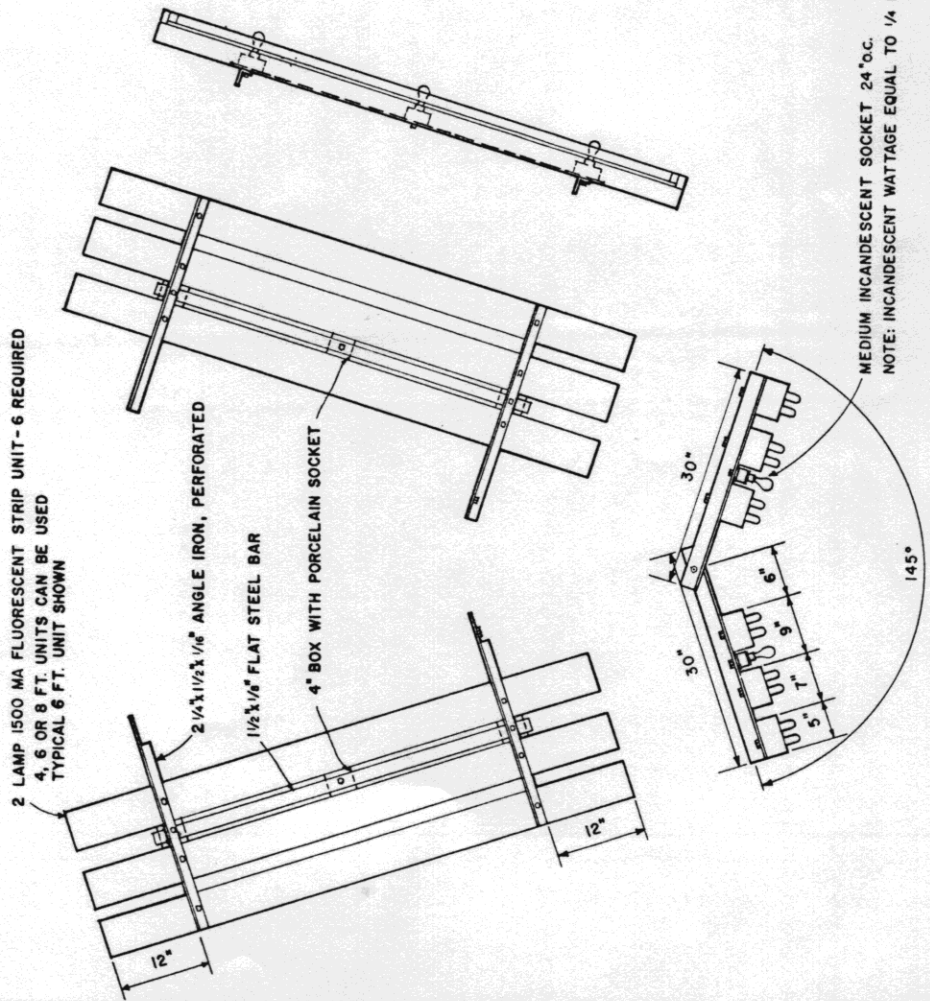


END ELEVATION



WIRING SCHEMATIC
 NO SCALE

NOTE: ALL WIRING MUST MEET THE
 LOCAL AND NATIONAL ELECTRICAL CODES



LAMP UNIT
 SCALE: 0 1 FT.