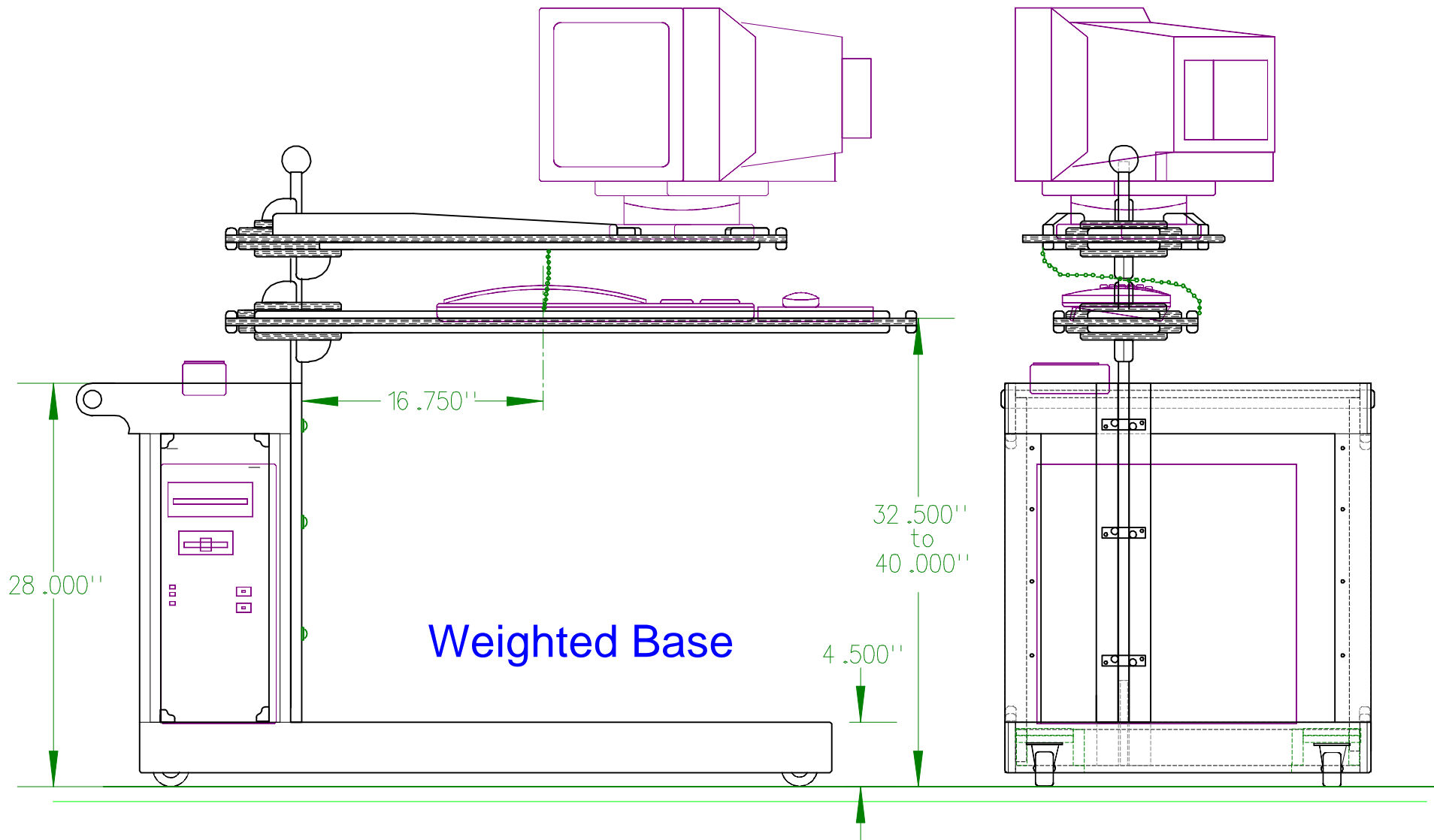


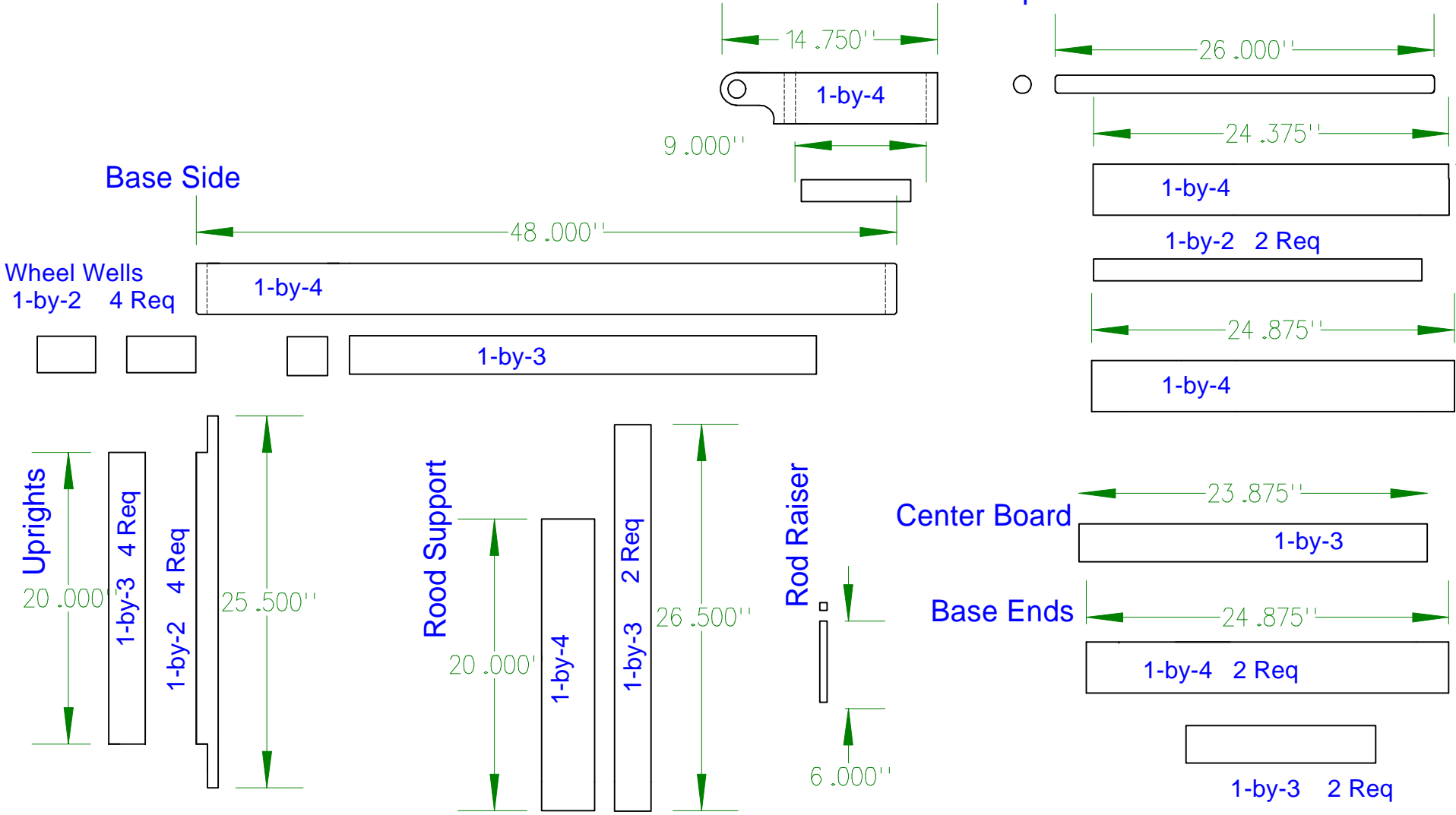
In-Bed Computer Desk

Woodware Designs
www.charm.net/~jriley/woodware.html

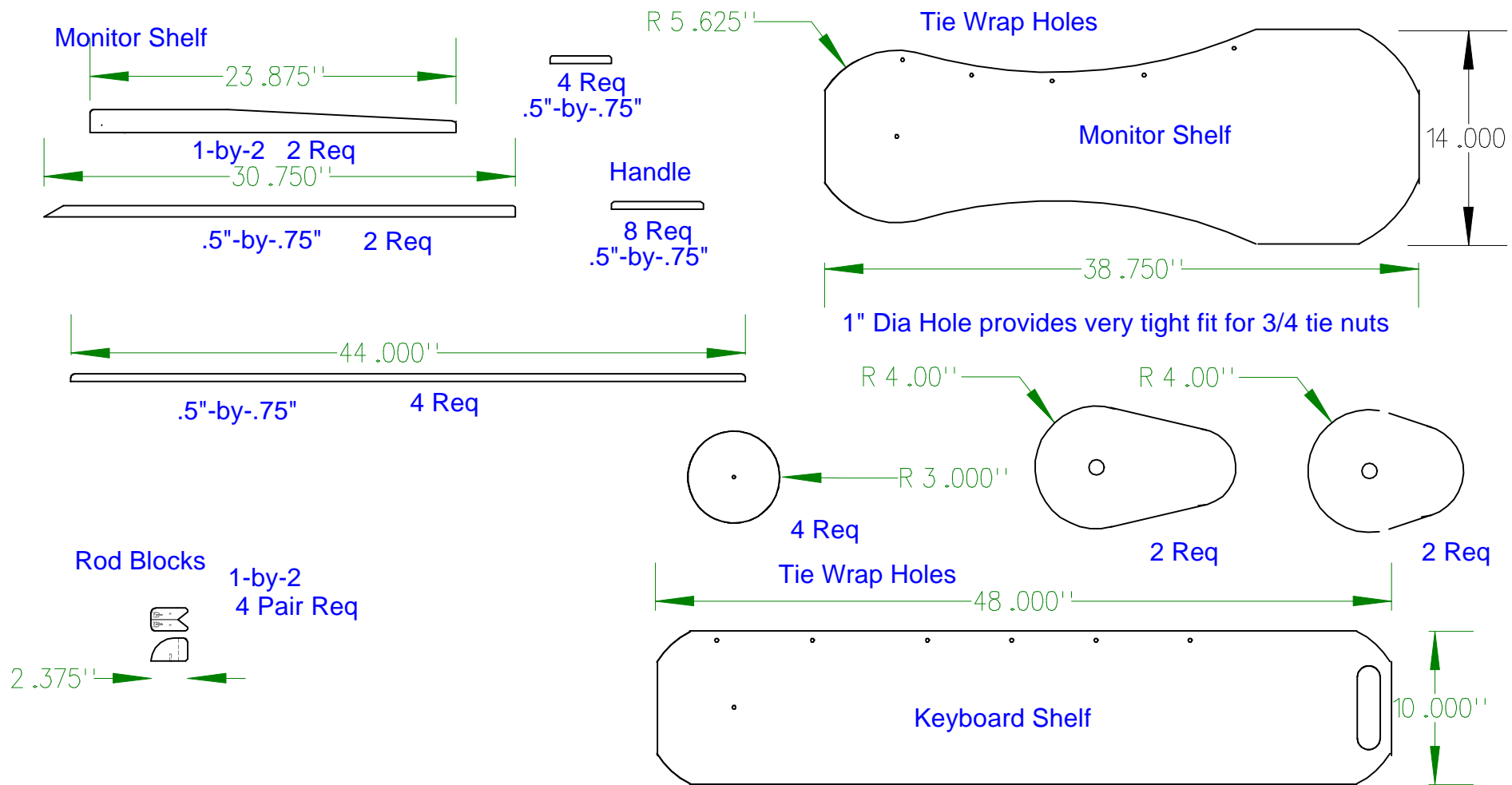
Tom Riley
4/30/00
As-built
bed.skf
©

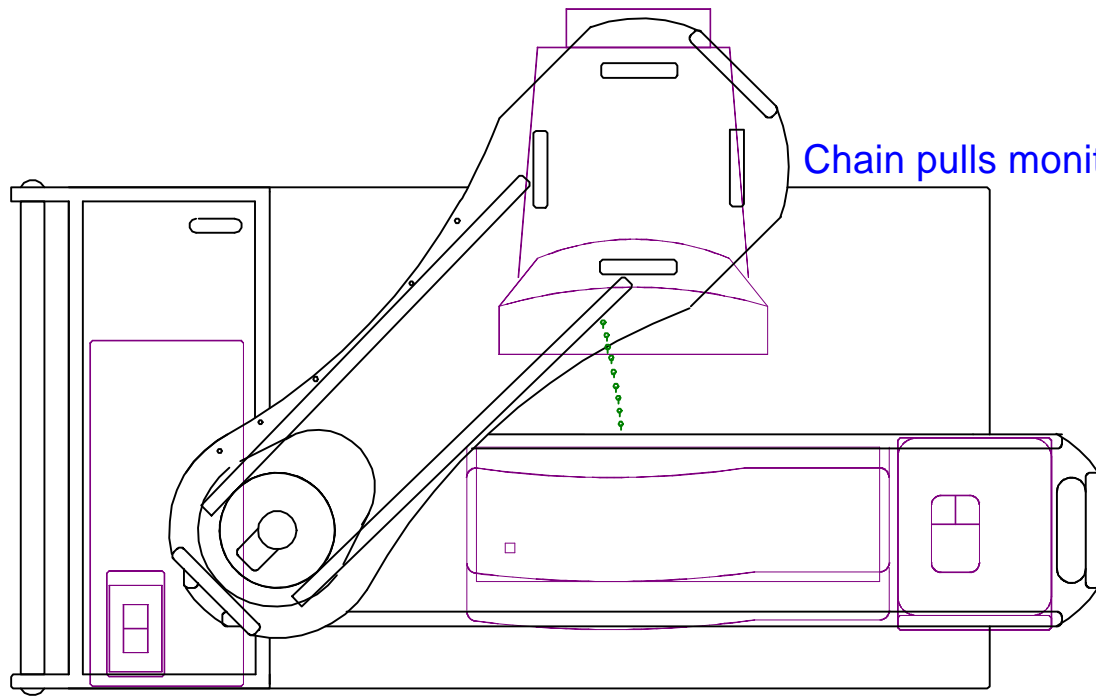


In-Bed Computer Desk Frame Pieces Sketch #4



In-Bed Computer Desk Shelf Parts Sketch #5



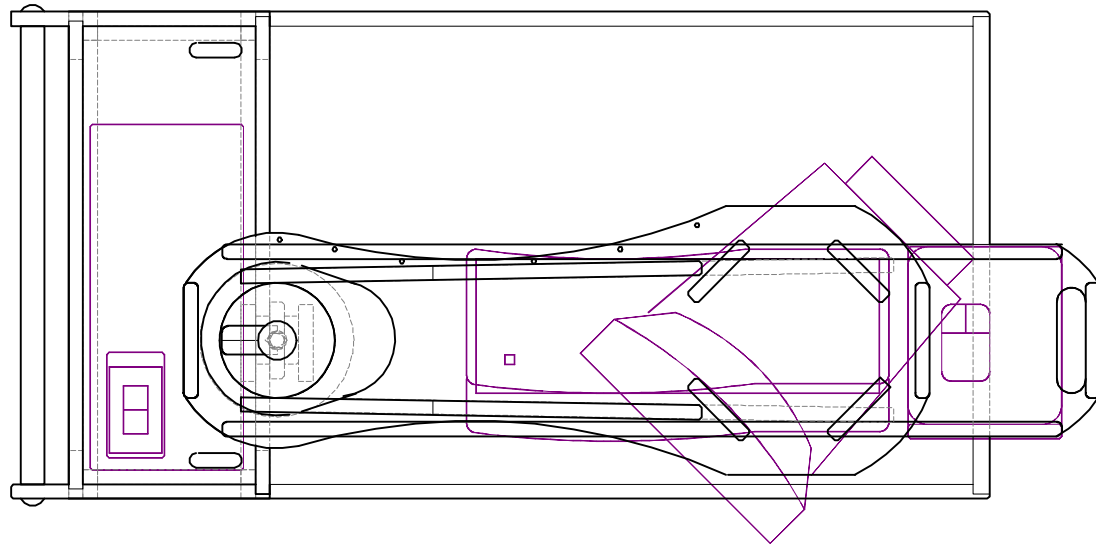


Chain pulls monitor after keyboard

Sketch #2

Top View

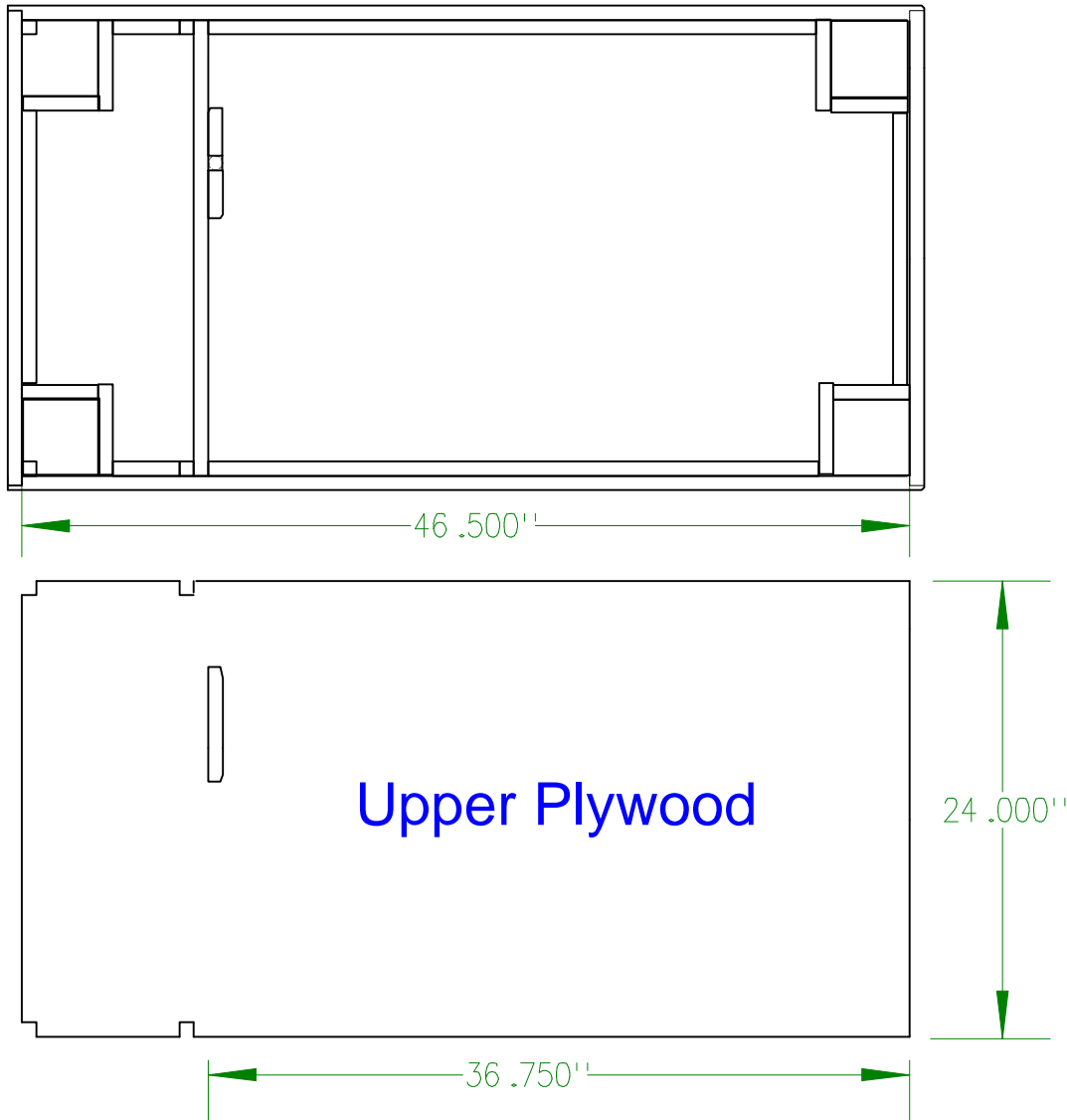
In Use



Stored

In-Bed Computer Desk Bottom View

Sketch #3



In-Bed Computer Desk Plywood Layout Sketch #6

