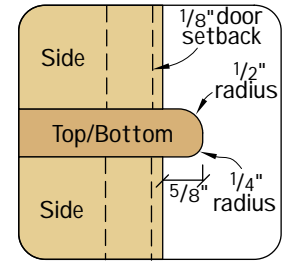
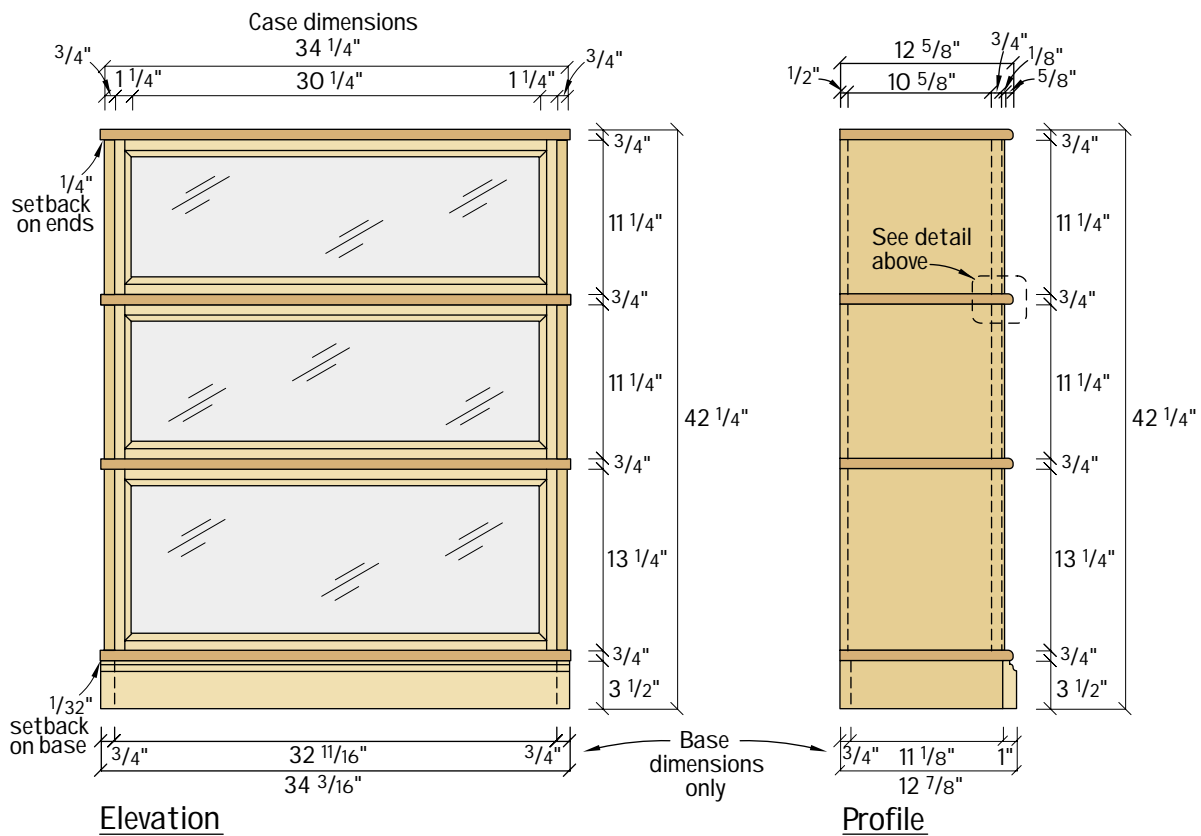


Plan

Case dimensions



Detail of shelf edge radius



Elevation

Profile

Schedule of materials: Barrister Bookcase (tall unit)

No.	Item	Dimensions T W L	Material
1	Top or bottom	3/4" x 12 5/8" x 34 1/4"	Cherry
2	Sides	3/4" x 12" x 13 1/4"	Cherry
1	Back	1/2" x 33 1/4" x 13 3/4"	Cherry
2	Door rails	3/4" x 1 1/4" x 30 3/8"	Cherry
2	Door stiles	3/4" x 1 1/4" x 13 1/16"	Cherry
1	Base front	1" x 3 1/2" x 34 3/16"	Cherry
2	Base sides	3/4" x 3 1/2" x 11 1/8"	Cherry
1	Base back	3/4" x 3" x 32 1/16"	Plywood
1	Glass	1/8" x 12 1/4" x 30 5/16"	