



Thank you!

Thank you for ordering a Downloadable WOOD PLAN. We hope you enjoy being a part of this new online experience and that you have fun building your wood-working project.

Please remember that this copyrighted material is for your use only. It is unlawful to share this file with someone else or to reprint it in any form.

Bill Krier
Editor
WOOD® magazine

Adobe Acrobat Troubleshooting Guide

*If you can read this page, your Acrobat program is working correctly!
But you may still have problems or specific issues such as printing and
saving your Downloadable WOOD PLAN.*

My printer won't print the text correctly

Almost all printing problems are due to not enough free system resources memory. The files are very memory intensive since they include graphics, text, and photos. Close all other programs/applications and print directly out of the Acrobat Reader program, not your Web-browser.

Patterns are not printing full size

Make sure your printer is set to print at 100% and that "print to fit" is not checked. These settings are selected in the printer setup or printer options.

I can't save my file now that it's downloaded

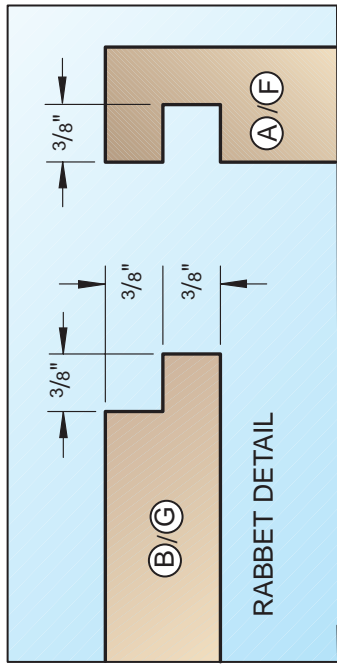
You must save the plan when you download the file. Download the file again, except this time try right-clicking on the red download button. A menu window will open. Select "Save target as" or "Save link as" to save the file to your hard drive. Once saved, you can open it with Adobe Acrobat Reader.

For more details on using Adobe Acrobat Reader please visit our online help section at:
<http://woodstore.woodmall.com/clicherforde.html>



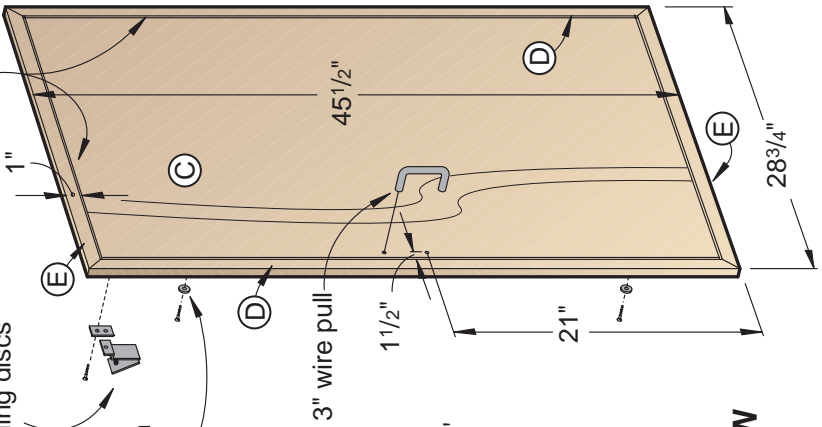
Sanding-Supply Center

Left in the open, sandpaper will cup due to humidity. To keep this perennial problem in check and keep our sandpaper organized and away from dust, we came up with this multi-purpose cabinet. We've made room for sanding belts, a sandpaper cutter, a mini shelf for your sanding blocks, a holder for your scrapers, and clips to hold sanding discs in place.



Rout 1/16" chamfers along front mating edges of C, D, and E.

Optional clip for hanging sanding discs



3/8"-round magnetic catches

F

1 1/2" continuous hinge 45 1/2" long

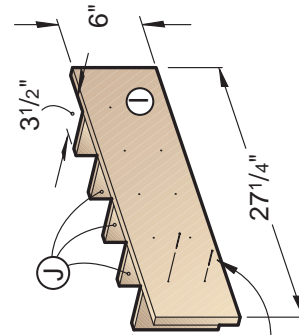
F

3" wire pull

F

Magnetic-catch strike plate

F



4d finish nail

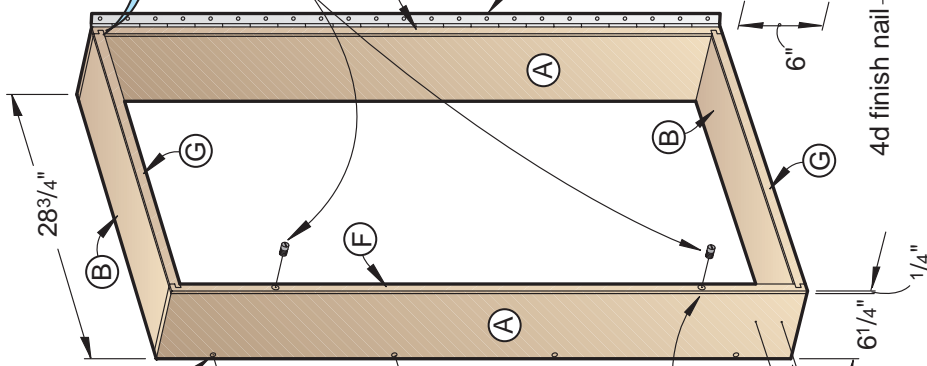
6"

6"

4d finish nail

CABINET EXPLODED VIEW

3/8" hole 1/4" deep with a 5/32" shank hole centered inside



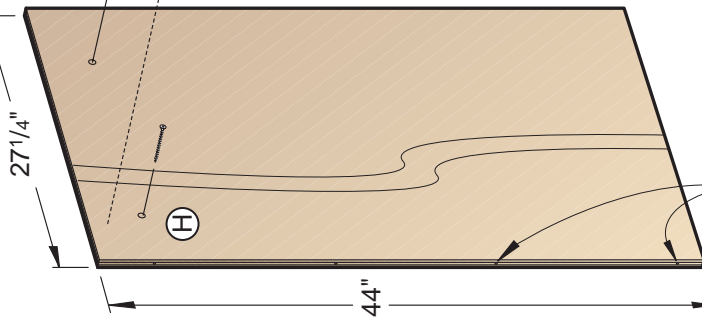
3/8" plug 5/16" long sanded flush

#8 x 1 1/2" F.H. wood screw

7/16" hole 9/16" deep

4d finish nail

3" deck screw

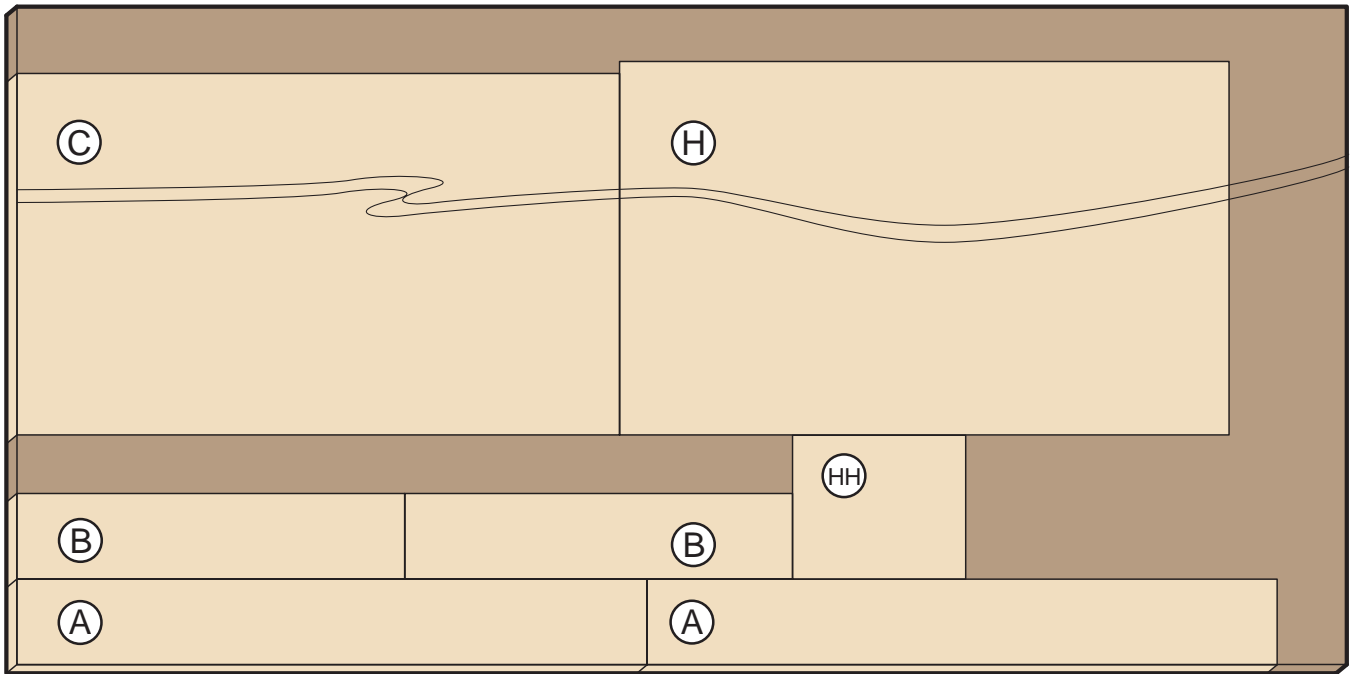


7/64" pilot holes

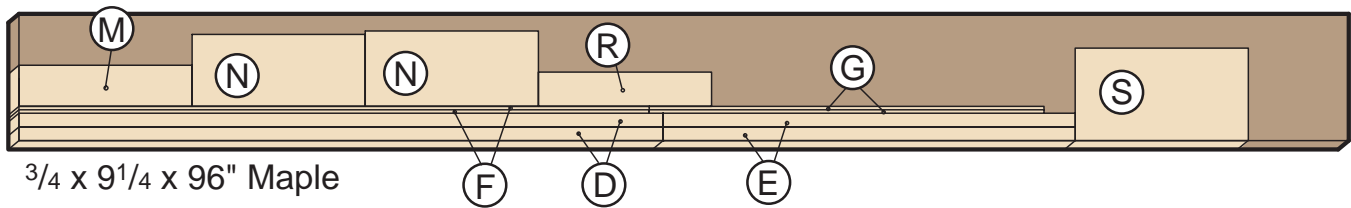
Bill of Materials

Part	Finished Size			Matl.	Qty.	Part	Finished Size			Matl.	Qty.
	T	W	L				T	W	L		
CABINET						HORIZONTAL QUARTER-SHEET HOLDER					
A sides	¾"	6¼"	45½"	BP	2	U front	½"	1⅞"	11¼"	M	1
B top & bottom	¾"	6¼"	28"	BP	2	V sides	½"	3¼"	5¼"	M	2
C door	¾"	26¾"	43½"	BP	1	W bottom	¾"	2½"	10¼"	M	1
D* side bands	¾"	1"	45½"	M	2	X back	¾"	5¼"	10¼"	M	1
E* top & btm. bands	¾"	1"	28¾"	M	2	Y comp. board	¼"	4"	10⅞"	HB	1
F* cab. side edging	¼"	¾"	45½"	M	2	QUARTER-SHEET HOLDER					
G* cab. top & btm. edging	¼"	¾"	28"	M	2	Z front	½"	2½"	7¼"	M	1
H cab. back	¾"	27¼"	44"	BP	1	AA sides	½"	3¼"	6½"	M	2
SANDING-BELT STORAGE						BB bottom	¾"	2½"	6¼"	M	1
I front	½"	6"	27¼"	M	1	CC back	¾"	6½"	6¼"	M	1
J dividers	½"	3½"	6"	M	5	DD comp. board	¼"	4"	6⅞"	HB	1
FULL-SHEET HOLDER						SCRAPER-BLADE HOLDER					
K front	½"	4"	13½"	M	1	EE holder	¾"	2"	6"	M	1
L sides	½"	3¾"	10¾"	M	2	SANDING-BLOCK HOLDER					
M bottom	¾"	3"	12½"	M	1	FF shelves	¾"	3"	6"	M	2
N back	¾"	10¾"	12½"	M	1	GG back	¾"	2¼"	6"	M	1
O comp. board	¼"	9"	12¾"	HB	1	SANDPAPER CUTTER					
HALF-SHEET HOLDER						HH cutting board	¾"	10½"	12⅛"	BP	1
P front	½"	2⅝"	13½"	M	1	<p>*Initially cut parts marked with an * oversized. Then, trim each to finished sized according to the how-to instructions.</p> <p>Supplies: 4d finish nails, #8×1¼" and #8×1½" flathead wood screws, 3" deck screws, 1½×45½" continuous (piano) hinge with screws, 2-⅜" round magnetic catches and strikes, 3" wire pull, primer, enamel paint, satin polyurethane, hook and loop fabric strips (we used Velcro®). For sandpaper cutter; hacksaw blades and #17×½" brads.</p>					
Q sides	½"	3¼"	6¾"	M	2						
R bottom	¾"	2½"	12½"	M	1						
S back	¾"	6¾"	12½"	M	1						
T comp. board	¼"	4½"	12¾"	HB	1						

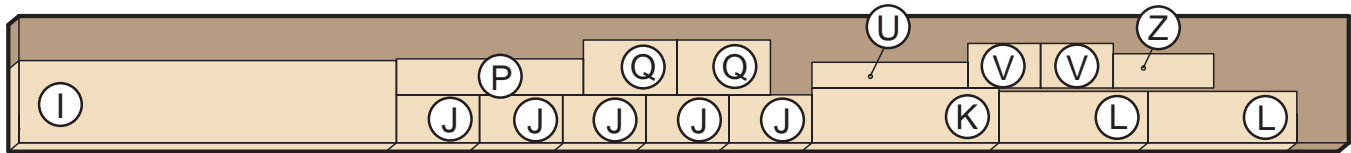
Materials Key: BP–birch plywood, M–maple, HB–hardboard.



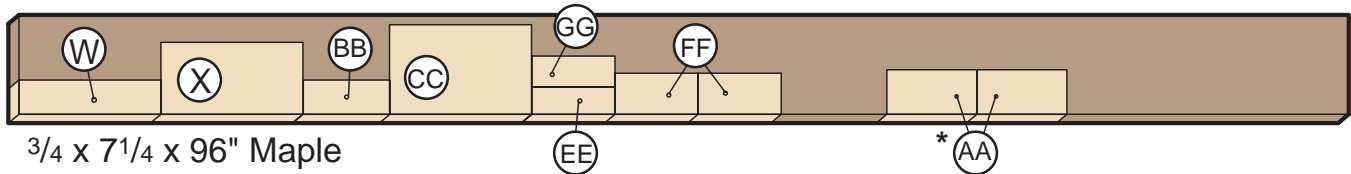
3/4 x 48 x 96" Birch plywood



3/4 x 9 1/4 x 96" Maple

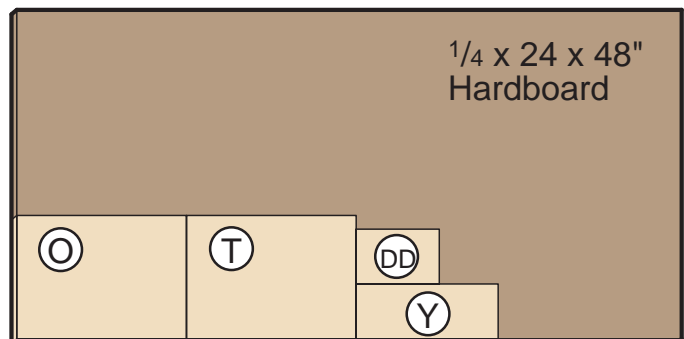


1/2 x 9 1/4 x 96" Maple



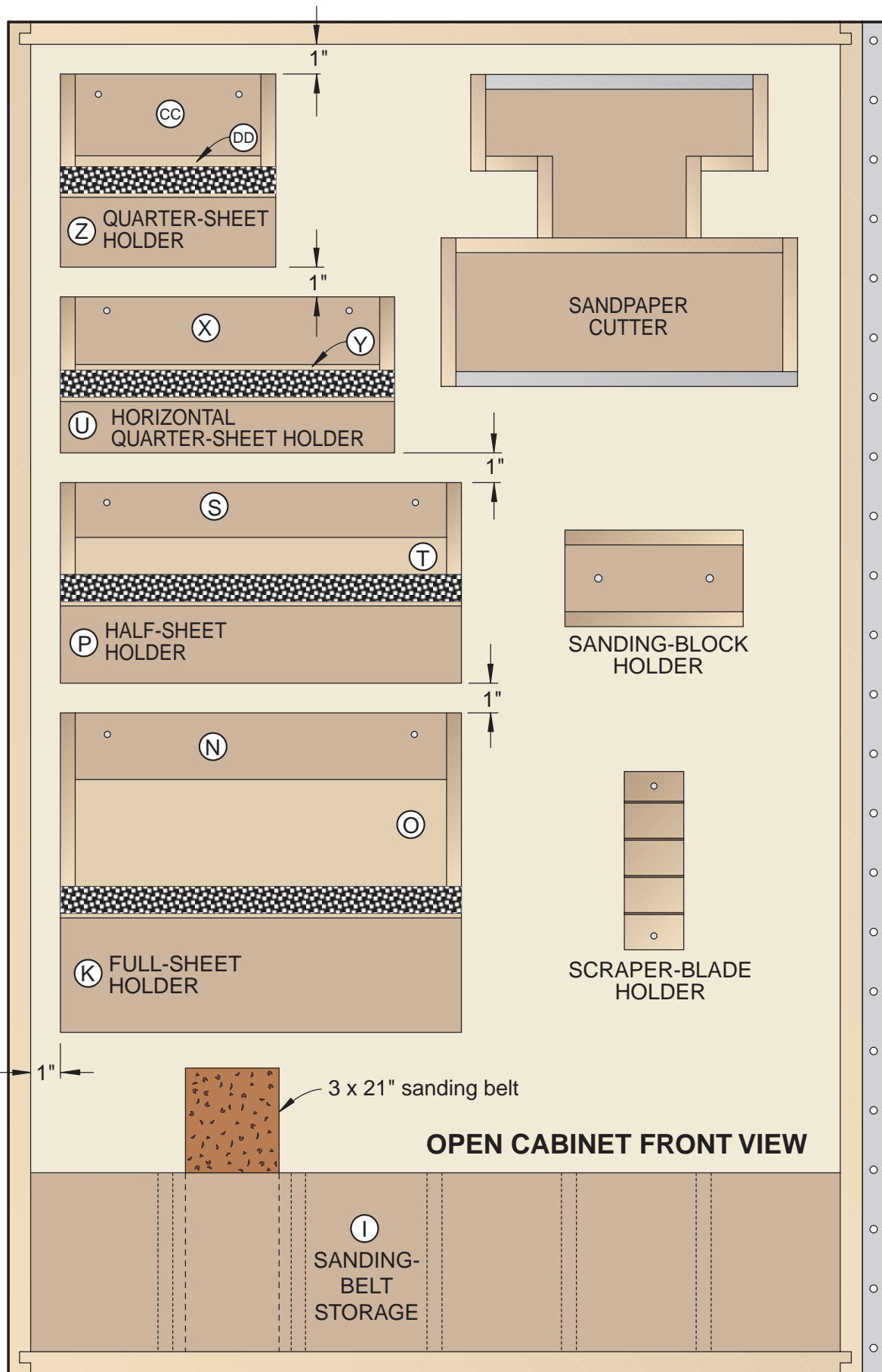
3/4 x 7 1/4 x 96" Maple

*Plane or resaw to thickness listed in the Bill of Materials.



1/4 x 24 x 48" Hardboard

CUTTING DIAGRAM



Start with the basic cabinet assembly

1 Using the the Bill of Materials and the Cutting Diagram for reference, lay out and cut the cabinet sides (A), top and bottom (B), and door panel (C) to size from $\frac{3}{4}$ " birch plywood.

2 Cut the door banding pieces (D, E) to size plus 1" in length from maple stock.

3 Rout a $\frac{1}{16}$ " chamfer along the front mating edges of the door panel (C) and banding (D, E). When joined in the next step the chamfers form a decorative V-groove, where shown on the Cabinet Exploded View drawing.

4 Miter-cut the banding pieces (D, E) to length. Glue and clamp them to the door panel (C).

5 Set your tablesaw rip fence $\frac{1}{4}$ " from the inside edge of the blade, and rip edging strips (F, G) from the edge of a $\frac{3}{4}$ "-thick maple board. Crosscut the edging strips to length plus 1". (We used the edging to hide the exposed plies of the plywood sides, top, and bottom panels.)

6 Glue and clamp the edging strips to the front edges of plywood pieces (A, B). Later, trim the ends of the edging flush with that of the plywood.

7 As dimensioned on the Rabbet detail accompanying the Cabinet Exploded View drawing, cut a $\frac{3}{8}$ " dado $\frac{3}{8}$ " deep $\frac{3}{8}$ " from the top and bottom ends of the cabinet sides A/F. Next, cut a $\frac{3}{8}$ " rabbet $\frac{3}{8}$ " deep along both ends of the top and bottom pieces B/G. (We test-cut scrap pieces of stock first to verify the settings.)

8 Glue and clamp the cabinet assembly, checking for square.

9 Measure the opening, and cut the cabinet back (H) to size. Drill counterbored mounting holes through the cabinet sides (A), and screw the back in place.

10 Use a $\frac{3}{8}$ " plug cutter to cut $\frac{3}{8}$ " plugs $\frac{1}{16}$ " long. Plug the counterbored holes in the cabinet sides, and sand the plugs flush, being

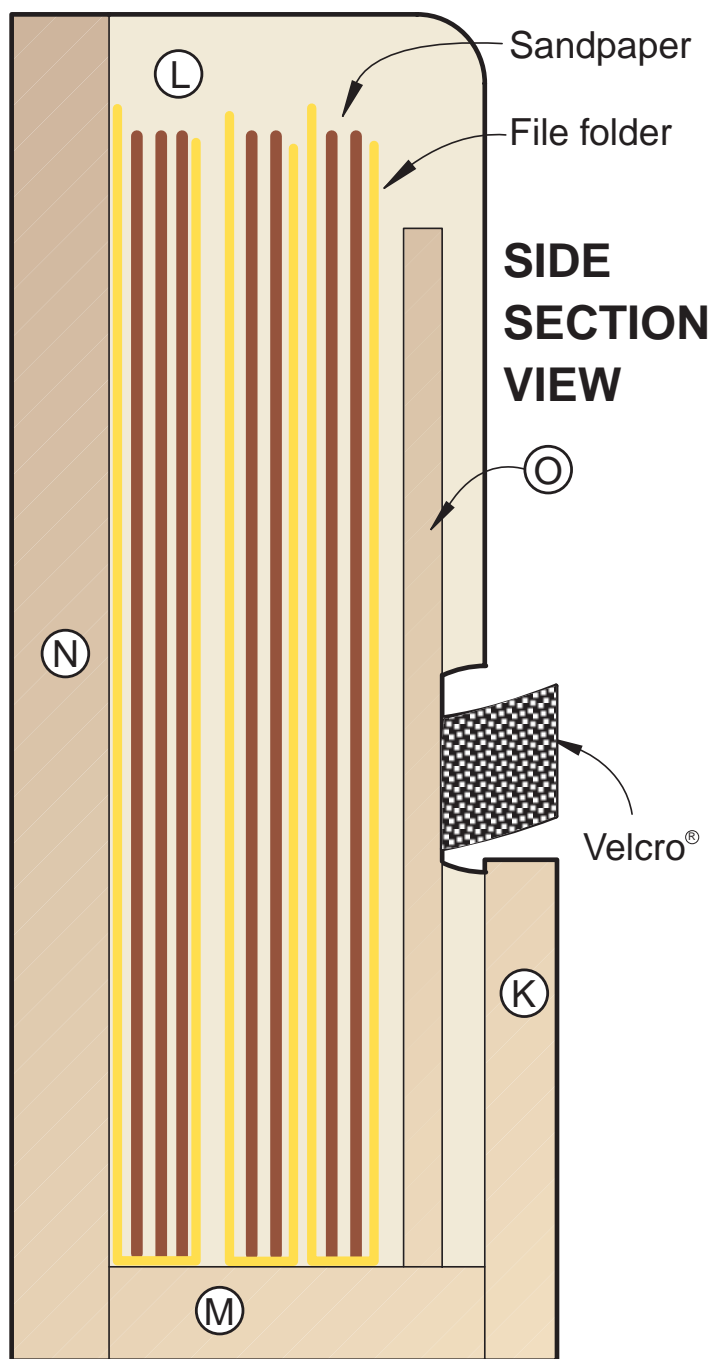
careful not to sand through the birch veneer.

11 Crosscut a piece of $1\frac{1}{2}$ " continuous (piano) hinge to $45\frac{1}{2}$ " long. Using just three screws, secure the continuous hinge to the cabinet. Then, using three screws, attach the hinge to the back side of the door. Close the door to verify that the edges and ends are flush with those of the cabinet. (By using just a few

screws, it makes it easier to adjust the hinge placement if necessary for a flush closing door.) Now, using the existing holes in the hinges as guides, drill $\frac{1}{16}$ " pilot holes into the cabinet and door. Finish attaching the hinge.

12 Locate and drill the holes, and attach a 3" wire pull to the door.

13 Mark the locations and drill a pair of mounting holes in the left-hand cabinet side for the round



magnetic catches. Install the catches, close the door, and squeeze the door against the cabinet to indent the strike locations on the back side of the door. Attach the strikes.

Let's add the sandpaper bins next

Note: The sizes of sandpaper holders may vary depending on your particular sanders and accessories. To organize the different grits of sandpaper and to allow the paper to be removed easily from the individual bins, we cut file folders to fit inside each bin, and divided the paper by grits. See the Side Section View for reference.

1 Cut the sanding-belt storage pieces (I, J) to size. Assemble the pieces in the configuration shown on the Cabinet Exploded View drawing. You'll need to space the dividers (J) to fit the width of your sanding belts.

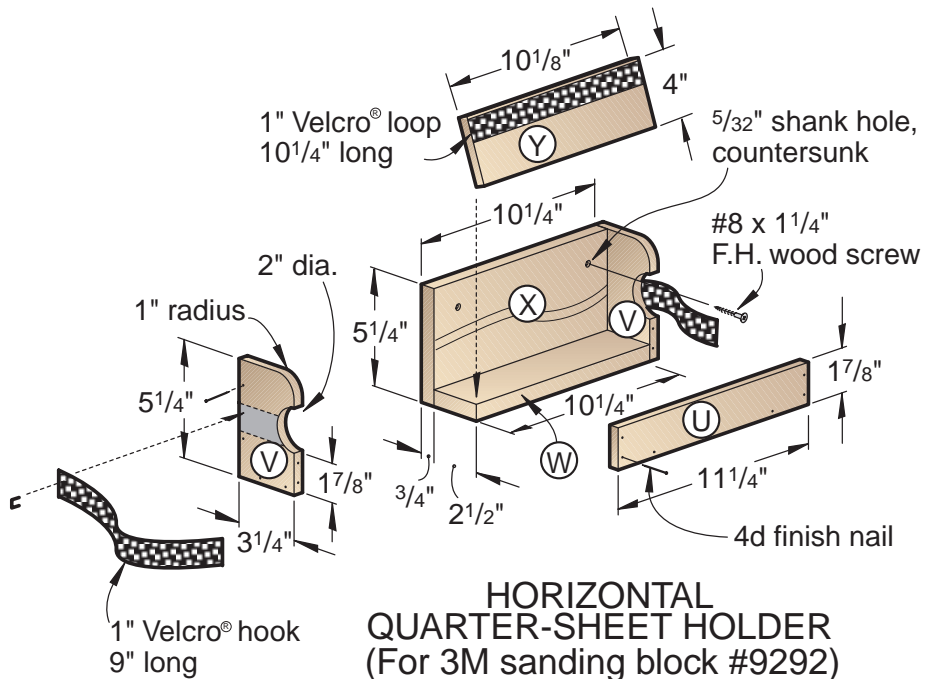
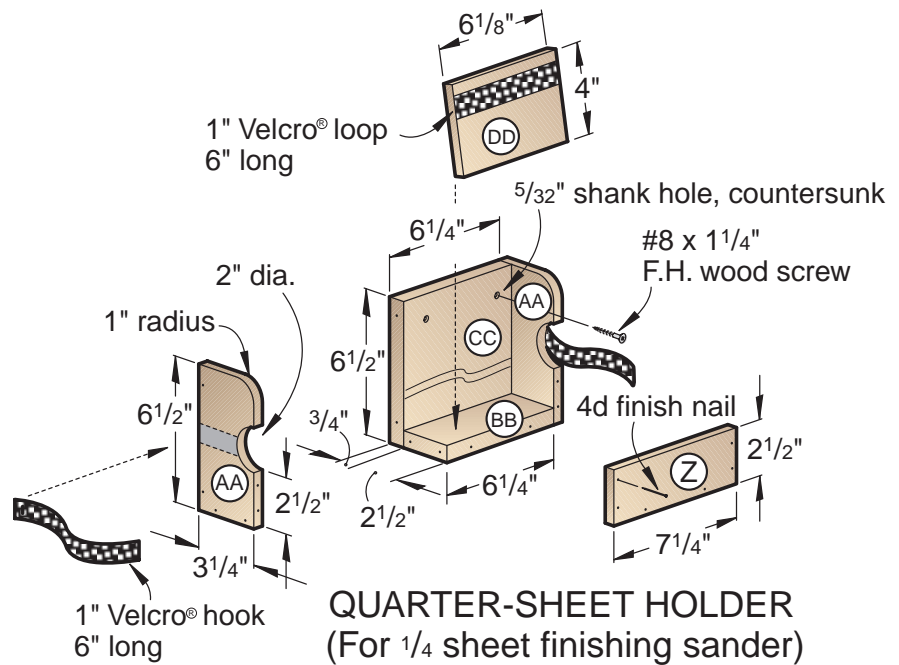
2 Cut the full-sheet bin front (K), sides (L), bottom (M), back (N), and compressor board (O) to size. Cut a radius and semicircular cutout in each side piece where shown on the Sandpaper Holder drawings. Assemble in the configuration shown on the drawing. Repeat the process to build the remaining holders.

Finally, add the scraper- and sanding-block holders

1 Cut a piece of $\frac{3}{4}$ "-thick stock to 2x6" for the cabinet-scraper holder (EE). Bandsaw four $\frac{1}{16}$ " kerfs $\frac{1}{2}$ " deep at a 45° angle in the holder where shown on the Cabinet-Scraper Holder drawing.

2 Cut the shelves (FF) and back (GG) to size for the sanding block holder. Glue and nail the pieces together, where shown on the Sanding Block drawing.

3 For dividing full sheets of sandpaper into partial sheets, our sandpaper cutter is just the tool. The guides allow you to position the sandpaper square to the cutter, in

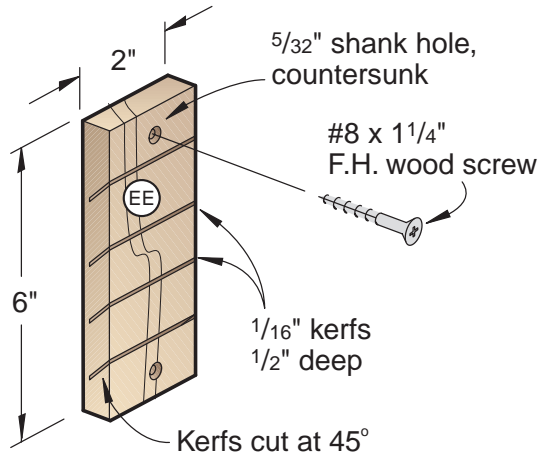


this case a portion of a hacksaw blade. To make the sandpaper cutter, start by cutting the cutting board (HH) to the shape shown on the Sandpaper Cutter drawing, bevel-cutting the ends at 5° where shown on the accompanying Bevel detail. Then, cut or rout a $\frac{1}{2}$ " rabbet $\frac{1}{32}$ " deep along the ends of (HH) to fit the saw blade, where shown on the drawing. Cut two hacksaw blades to the lengths listed on the drawing, and epoxy

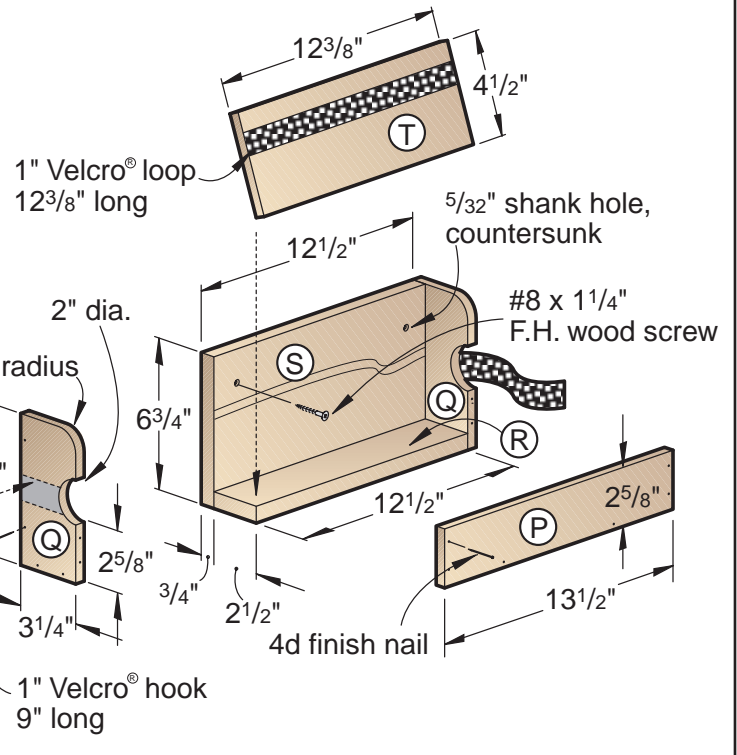
one in each rabbet. Now, cut the $\frac{1}{4}$ "-thick strips to the lengths listed on the drawing and nail them in place.

Finishing touches

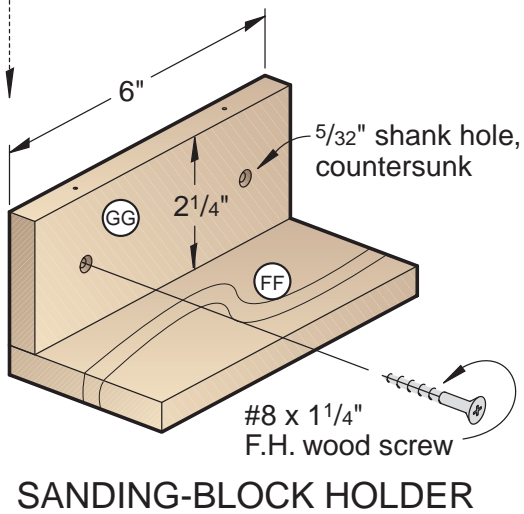
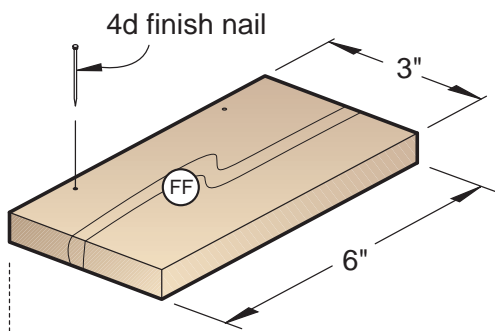
1 Remove the hardware and holders from the assembled cabinet. Finish-sand all parts smooth. Mask the magnetic catch (they're nearly impossible to remove once they've been installed.)



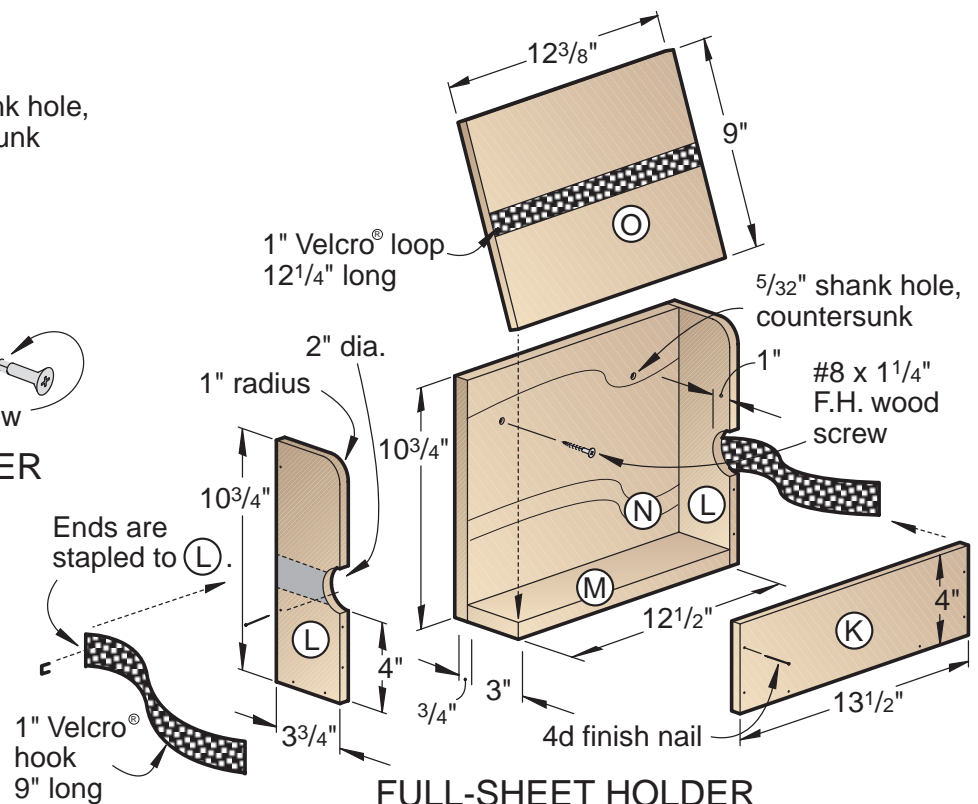
CABINET-SCRAPER HOLDER



HALF-SHEET HOLDER



SANDING-BLOCK HOLDER



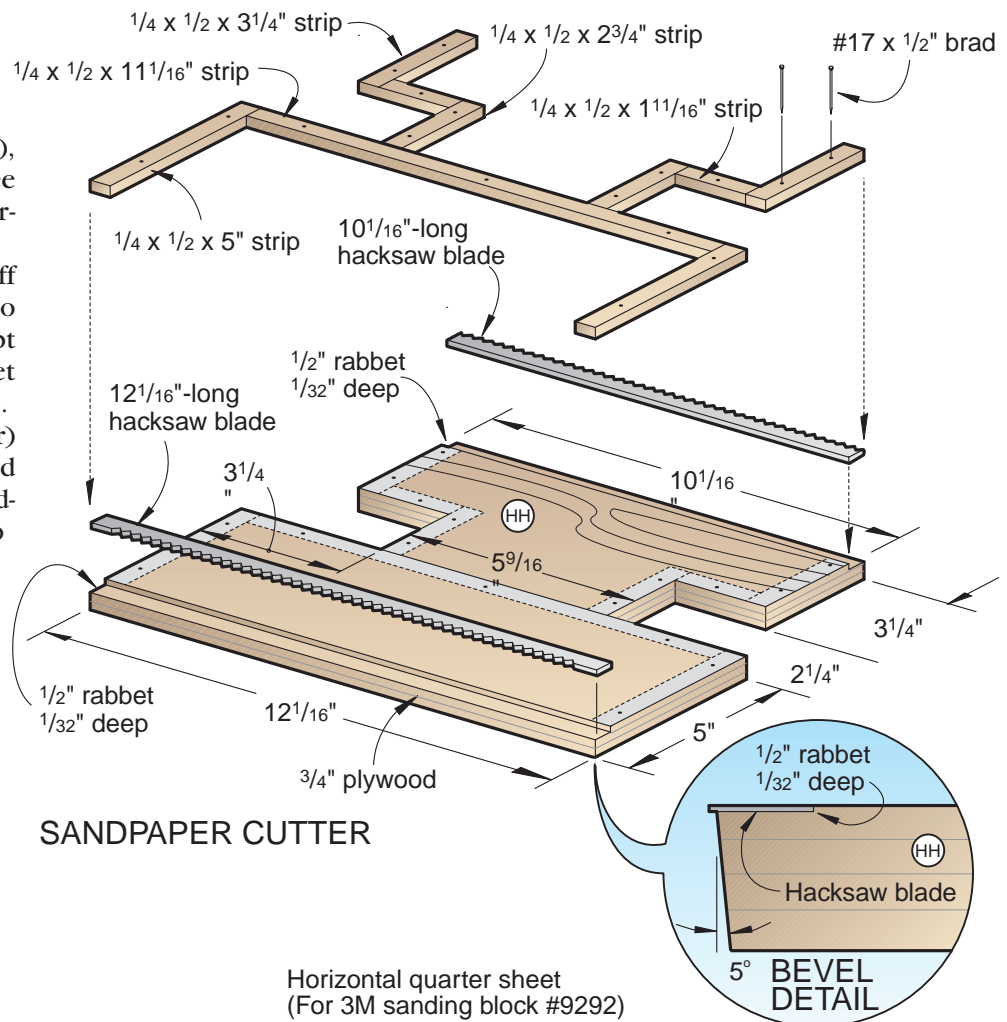
FULL-SHEET HOLDER

2 Apply a clear finish (we used satin polyurethane) to the door banding (D, E), the back face of the door panel (C), and the sandpaper holders. (See the opening photos for reference.)

3 After the finish dries, mask off the edging, and apply primer to the front face of the door (except the banding) and the cabinet assembly. Paint the primed areas.

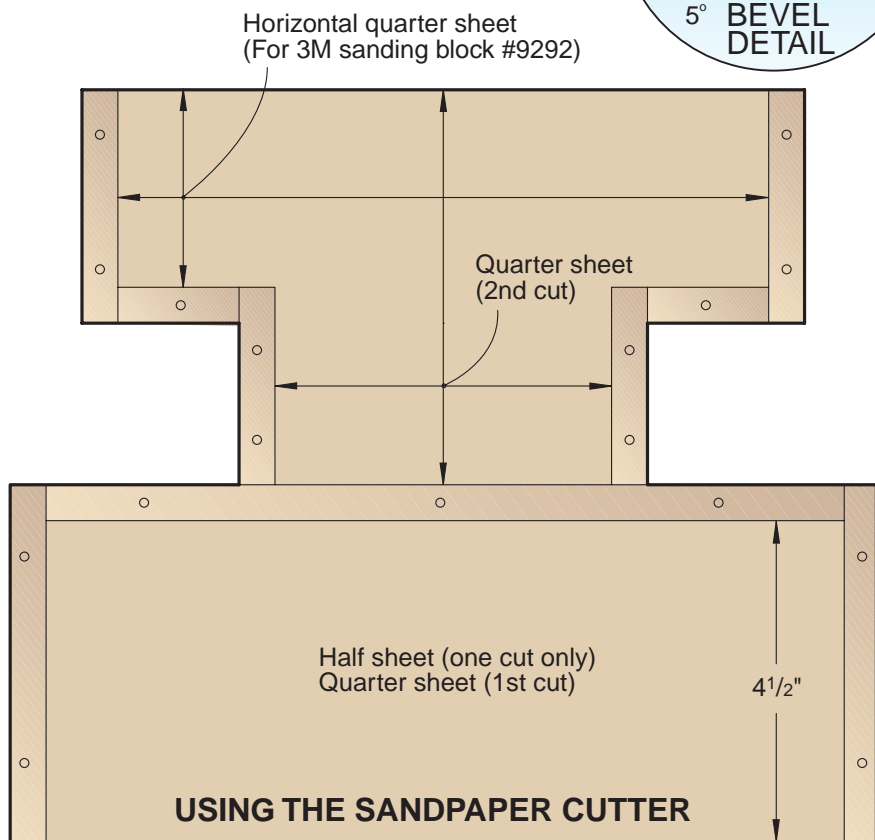
4 Attach (we used an air stapler) the hook fabric strips (we used Velcro®) to the sides of the holders and the mating loop fabric to the front surface of the compressor boards.

5 Using a helper and a level, hang the cabinet on the wall, being sure to hit all available studs. Attach the holders to the front face of the cabinet back and secure clips to the back face of the door. Reattach the pull to the door, and add the sandpaper. ♣



Written by: Marlen Kemmet
 Project Design: Jim Boelling
 Illustrations: Roxanne LeMoine
 Graphic Design: Jamie Downing
 Photography: William Hopkins
 ©Copyright Meredith Corporation 1999

The purchase of these plans does not transfer any copyright or other ownership interest in the plans, the design, or the finished project to the buyer. Buyer may neither reproduce the plans for sale nor offer for sale any copies of the finished project.



WOODMALL® The Internet's Largest Source for Woodworking Tools and Accessories

<http://www.woodmall.com>

Thanks for your order!

Now that you've got a detailed plan to build that perfect project, visit the WOOD MALL for the internet's largest source for woodworking tools and accessories. The WOOD MALL offers:

- Over two dozen woodworking-related stores
- More than 50,000 tools & accessories
- 24-Hour shopping
- Special sales & closeouts
- Nearly 40 tool comparison charts
- **FREE** monthly woodworking seminar

Visit Today! <http://www.woodmall.com>



Current issue not shown

Like no other magazine, WOOD helps you make the most of your shop time ... takes your skills to the next level. Every issue of WOOD is jam-packed with ...

- Smart tips, tricks, secrets and shortcuts that save you time, effort and money
- Valuable tool reviews with at-a-glance information charts that give you helpful product comparisons
- Giant full-size pattern pull-outs
- Crystal-clear step-by-step instructions, exploded diagrams, finishing secrets and techniques for that professional look – everything you need to bring out your woodworking genius!

- 2 years (14 issues) just \$44 **SAVE \$39.30 off single-copy rate!**
- 1 year (7 issues) just \$26 **SAVE \$15.65 off single-copy rate!**
- Payment Enclosed Bill Me

Fill out information below and mail to: WOOD® Magazine P.O. BOX 37439, Boone, IA. 50037-0439 or Subscribe Online at <http://www.woodmagazine.com/subscribe>

My Name (please print) _____

Address _____ **Apt. #** _____

City _____ **State** _____ **Zip** _____

Canadian Orders: Fill in the form above. Your rate will be 1 year (7 issues) for \$41 – SAVE \$14.65, or 2 years (14 issues) for \$67 – SAVE \$44.30. Prices include postage; 7% GST or 15% HST is added. #12348 2887 RT

U.S. and Canadian subscribers: You also may order by credit card. Call toll free 1-800-374-9663 weekdays from 7 a.m. to 10 p.m. Central Time; Saturdays, 8 a.m. to 3 p.m.; Sundays, 9 a.m. to 3 p.m.

Other International Orders: 2 years for \$89 U.S. or 1 year for \$49 U.S.; prices include postage. To order by credit card call 515/246-6952 during the same hours as listed above (toll charged). Or complete this form; mail with US funds to: WOOD® Magazine, P.O. Box 37439, Boone, IA. 50037-0439 USA.

Your Money-Back Guarantee: You must be satisfied with your subscription or you can get a refund for all unmailed issues.

WOOD® Magazine is published 7 times a year. Savings are based on \$5.95 U.S., \$7.95 Canadian single-copy rate. The first issue mails in 8-12 weeks. Subscription prices subject to change.