

Other easy-to-make projects from Pine Solutions Australia

ask for them at your local Stylewood distributor



Distributor

Stylewood

Pine Solutions Australia

Easy-to-make Storage Chest



Easy-to-make Storage Chest

PROJECT MATERIALS LIST

Component	Material	Quantity	Purchase Size & Finished Size
Lid	Stylewood DAR	2 lengths	1 @ 290 x 19 x 900mm 1 @ 240 x 19 x 900mm
Lid Joiners	Stylewood DAR	2 lengths	42 x 19 x 400mm
Base	Stylewood DAR	2 lengths	240 x 19 x 850mm
Sides	Stylewood DAR	4 lengths	240 x 19 x 850mm
Ends	Stylewood DAR	4 lengths	240 x 19 x 440mm
Internal Frame	Stylewood DAR	6 lengths	42 x 19 x 440mm
Skirting	Stylewood DAR	3 lengths	1 @ 42 x 19 x 890mm 2 @ 42 x 19 x 480mm
Cornice	Pine External	4 lengths	31 x 11 x 457mm
Screws	Countersunk Rib Head Chipboard	60pcs of 28mm x 8g	
Nails	-	8pcs 30 x 1.6mm bullet head	
Hinges & Screws	-	2 sets	
PVA Adhesive	To glue all joints		

TOOLS YOU WILL NEED FOR THE JOB

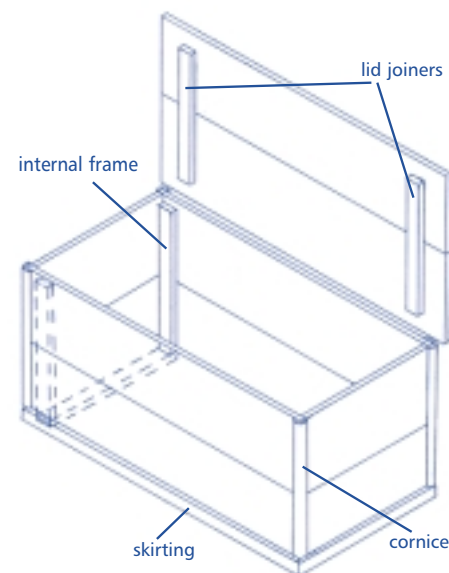
Electric hand saw • Drill and bits • Hammer • Square
Nail punch • Mitre Box • Router (optional)

Stylewood

Pine Solutions Australia

STEP-BY-STEP INSTRUCTIONS

- STEP 1. Screw base boards to internal frame, positioning internal frame piece 19mm from end and sides. Glue all joints.
- STEP 2. Turn base over and position lower side boards. Screw through base into side boards and turn upright.
- STEP 3. Screw internal frame uprights in place 19mm from end of sides ,screwing from the inside of frame.
- STEP 4. Attach top side boards, screwing from inside of frame.
- STEP 5. Attach end boards, screwing into frame from outside.
- STEP 6. Cut skirt corners to 45 degrees in mitre box to fit box and attach with 30mm nails.
- STEP 7. Cut cornice to fit each corner and attach with 16mm nails.
- STEP 8. Join lid pieces with lid joiner, positioning so that lid will close. Route edges if desired.
- STEP 9. Attach hinges as per manufacturer's instructions.
- STEP 10. Countersink screws and nails and fill with woodfill putty, sand smooth and apply your choice of timber finishes.



Safety warning: Inhalation of dust generated from processing Stylewood may cause irritation and sensitisation by inhalation (asthma) and by skin contact (dermatitis). Repeated inhalation of wood dust increases the risk of nasal cavity cancer and of lung fibrosis (scarring). Do not breathe dust, wear a respirator if using power tools. Phone 132 321 for a Material Safety Data Sheet.