



Wow! I Made It.com

Yard Light

If you entertain outside a lot, you'll appreciate adding a soft glow to an unlit portion of the yard. Add this yard light to a previously dark and unused corner, and you'll increase your useable entertaining space considerably.



Materials

- 2 linear feet of 2 x 8 pine
- 13 linear feet of 1 x 6 pine

Hardware

- 16, 2-1/2" wood screws
- 36, 1-1/4" wood screws
- Exterior light kit and exterior-rated electrical wire*

Notes on Materials

*Before beginning this project, you need to check local codes concerning exterior electrical wiring. Make certain that all of the materials that you use meet these codes, and that a licensed electrician is not required for this project.

Cutting List

Code	Description	Qty.	Material	Dimensions
A	Side	4	1 x 6 pine	36" long
B	Top & Bottom	2	2 x 8 pine	7-1/4" long

Making the Sides

1. Cut four Sides (A) from 1 x 6 pine, each measuring 36 inches.
2. Assemble the four Sides (A) overlapping each piece in rotation, as shown in *Figure 1*. With the four sides in position, the assembly measures 6-1/4 inches wide on all sides. Apply glue to the meeting surfaces, and screw all four Sides (A) along their entire length, using 1-1/4" wood screws spaced about 6 inches apart.

Adding the Top and Bottom

1. Cut two Top and Bottoms (B) from 2 x 8 pine, each measuring 7-1/4 inches. Label one piece "Top", and one piece "Bottom".
2. Drill a 1/2-inch-diameter hole through the center of Bottom (B) to accommodate the electrical wire. Then cut a 1/8 1/2-inch groove from the hole to one edge of the Bottom (B), as shown in *Figure 2*. The groove will also accommodate the electrical wire and allow the finished project to sit flat.
3. Drill a hole in the center of the Top (B), and attach the exterior lamp fixture to the Top (B),

following the manufacturer's directions. The type of exterior light and the installation requirements will determine the size of the center hole.

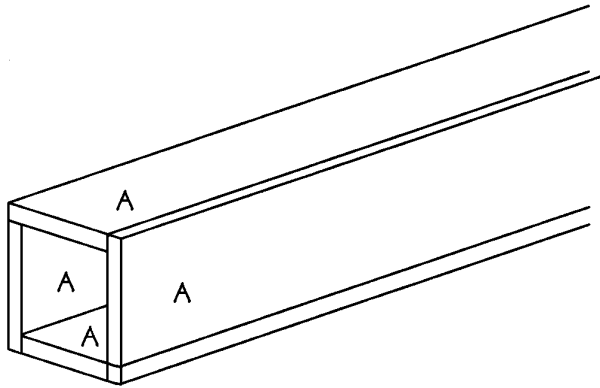
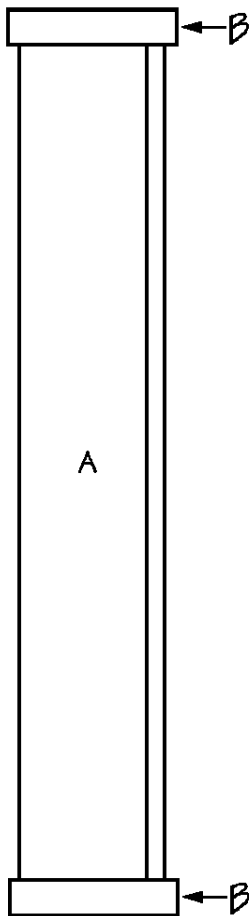
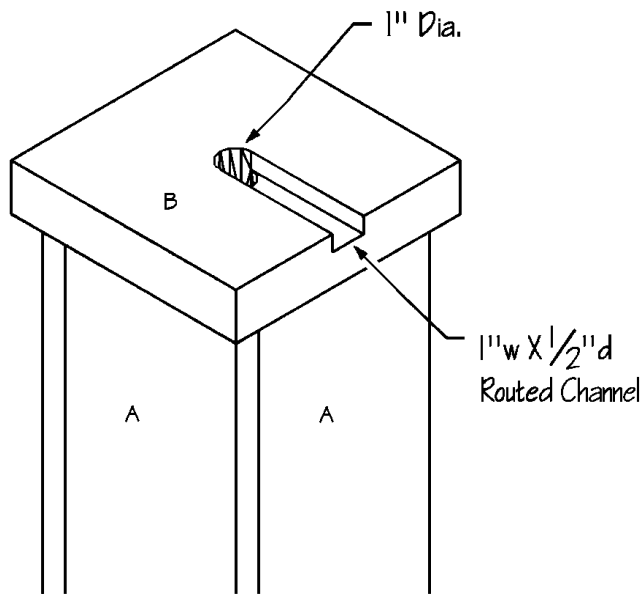


Figure 1



4. When the lamp fixture is installed, center the Top (B) over the Sides (A), making sure to place the electrical wiring inside the four Sides (A). The Top (B) should overhang the Sides (A) by $\frac{1}{4}$ inch on all sides. Apply glue to the meeting surfaces, and screw through the Top (B) into the Sides (A) using two 2-1/2" wood screws on each side. See *Figure 3*.
5. Insert the free end of the electrical wire through the hole on the ungrooved side of the Bottom (B), and tie a loose knot on the grooved side to make sure it stays in place. Center the Bottom (B) over the open end of the Sides (A). Again, the Bottom (B) should overhang the Sides (A) by $\frac{1}{4}$ inch on all sides. Apply glue to the meeting surfaces, and screw through the Bottom (B) into the Sides (A) using two 2-1/2" wood screws on each side.
6. Attach a plug to the end of the electrical wire, and use exterior construction glue to secure the wire inside the groove. Let the glue set up overnight.



Finishing

1. Fill all cracks, crevices, and screw holes with wood filler.
2. Stain or paint the finished yard light the color of your choice, or simply leave it the natural color and seal it with a waterproof finish.

Enjoy other terrific indoor and outdoor projects from

www.wowimadeit.com

!



Your neighbors will love your comfortable backyard and want to try some projects for themselves. Even if they've never tried woodworking, they'll find a simple project that will get them hooked at www.wowimadeit.com .