



Wow! I Made It.com

Trash Container

It is nice to have a trash container that is pretty enough to place near the outdoor eating area. We developed this simple, yet attractive—not to mention easy-to-construct—project when we got tired of having to walk our trash around the house to the back of the garage.



Materials and Supplies

- 4' x 4' sheet of privacy lattice
- 28 linear feet of 1 x 4 pine
- 12 linear feet of 2 x 2 pine
- 10 linear feet of 1-1/2 L-shaped molding
- 2 x 2 foot sheet of plywood
- Fence-post finial

Hardware

- 50, 1-5/8" wood screws
- 340, 1-1/4" (3d) finish nails

Cutting List

Code	Description	Qty.	Materials	Dimension
A	Long Side	4	1 x 4 pine	24-1/2" long
B	Short Side	4	1 x 4 pine	23" long
C	Support	4	2 x 2 pine	28" long
D	Sides	4	Lattice	24" x 21"
E	Corner Trim	4	L-molding	24" long
F	Short Trim	2	1 x 4 pine	17-1/2" long
G	Long Trim	2	1 x 4 pine	24-1/2" long
H	Lid	1	3/4" plywood	22-1/2" x 22-1/2"
I	Lid Center	1	1 x 4 pine	3-1/2" x 3-1/2"

Building the Frame

1. Cut four Long Sides (A) from 1 x 4 pine each measuring 24-1/2 inches.
2. Cut four Short Sides (B) from 1 x 4 pine each measuring 23 inches.
3. Cut four Supports (C) from 2 x 2 pine each measuring 28 inches.
4. Place two of the Short Sides (B) parallel to each other on edge and 23 inches apart. Place two of the Long Sides (A) over the ends of Short Sides (B) as shown in *Figure 1* to form a square. Apply glue to the meeting surfaces, and screw through the Long Sides (A) into the

Short Sides (B) using 1-5/8" wood screws two in each joint.

- Repeat Step 4 to assemble another square using the remaining Short (A) and Long (B) Sides. Designate one as "Top" and one as "Bottom".

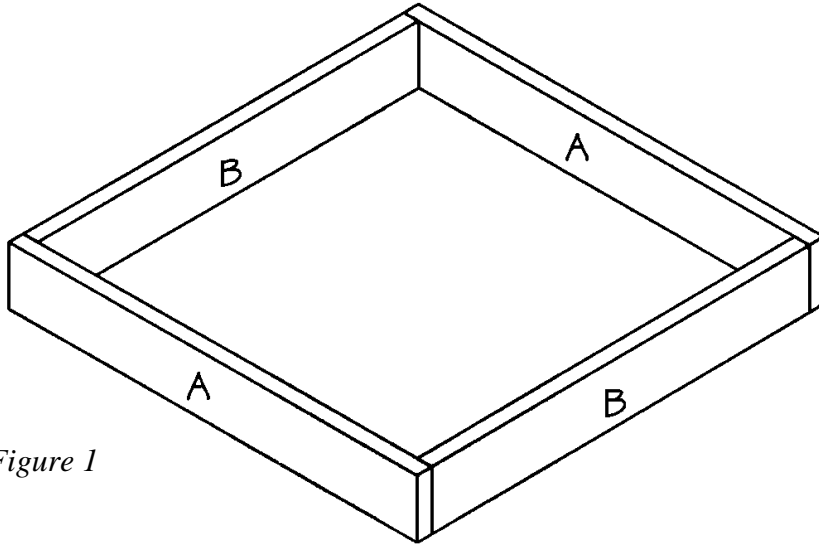


Figure 1

joint.

- Place the Bottom square flat on a level surface attach the Supports (C) to the inside corners of the Bottom square as shown in Figure 2. Apply glue to the meeting surfaces, and screw through the Short and Long sides (A) and (B) into the Supports (C) using four 1-5/8" wood screws in each

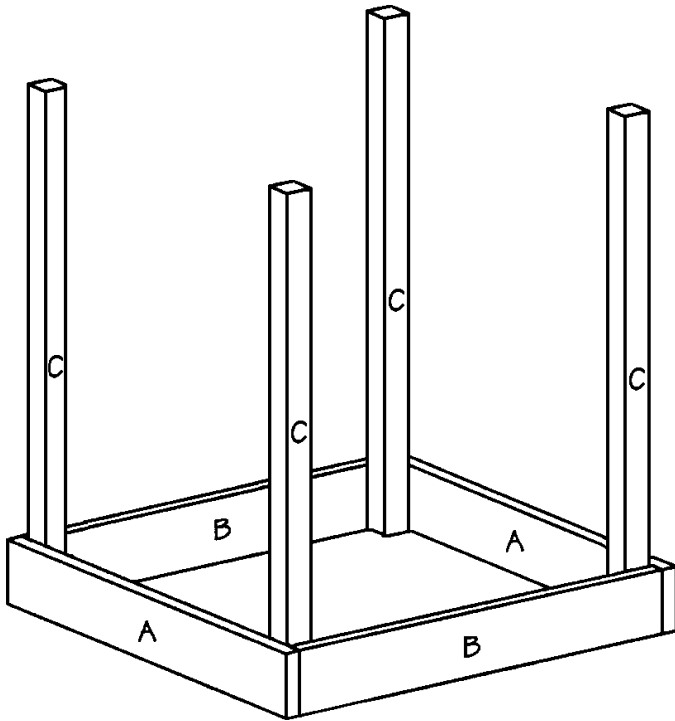
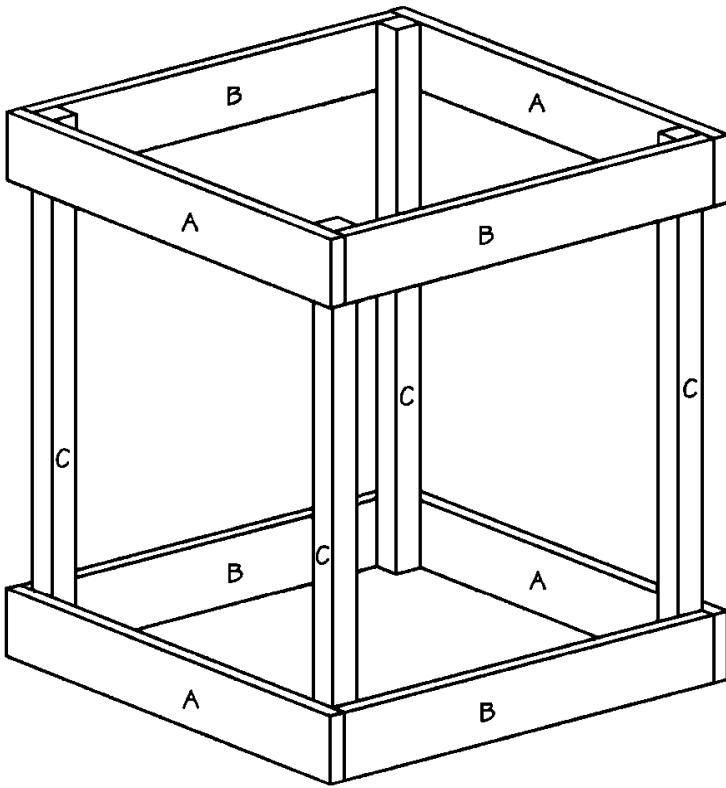


Figure 2

- Repeat Step 6 to attach the Top square to the exposed supports as shown in Figure 3.



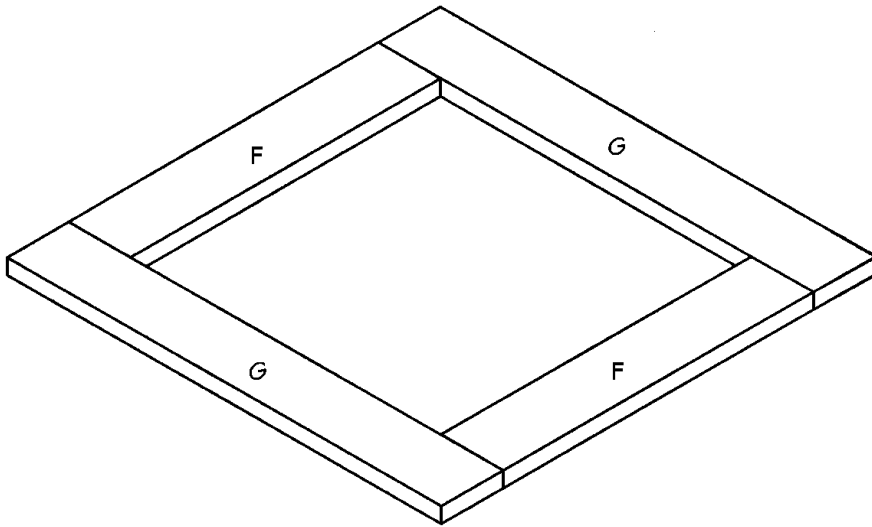
Adding the Lattice

1. Cut four Sides (D) from privacy lattice, each measuring 24 x 21 inches.
2. Attach the Sides (D) by laying the assembly on its side, place the Sides (D) between the Top and Bottom squares over the Supports (C). Nail through the Sides (D) into the Supports (C) using about five 1-1/4" finish nails per support.
3. Cut four Corner Trims (E) from 1-1/2" L Shaped molding, each measuring 24 inches.
4. Place the Corner Trims (E) over the corners of the frame and nail through the Corner Trims (E) and through the lattice into the Supports (C). Using about five 1-1/4" nails per side.

Making the Top

1. Cut two Short Trims (F) from 1 x 4 pine, each measuring 17-1/2 inches.
2. Cut two Long Trims (G) from 1 x 4 pine, each measuring 24-1/2 inches.
3. Cut one Lid (H) from 3/4-inch plywood measuring 22-1/2 x 22-1/2 inches.

Figure 4



4. Position the two Short Trims (F) flat on a level surface, parallel to each other and 17-1/2 inches apart. Place the Long Trims (G) over the ends of the Short Trims (F) as shown in *Figure 4*. Place the Lid (H) centered over the Trims (F and G) so that Trims extend 1 inch out from under the Lid (H) as shown in *Figure 5*. Apply glue to the meeting surfaces and nail through the Lid (H) into the Trims (F and G) using 1-1/4" finish nails spaced about every 4 inches.

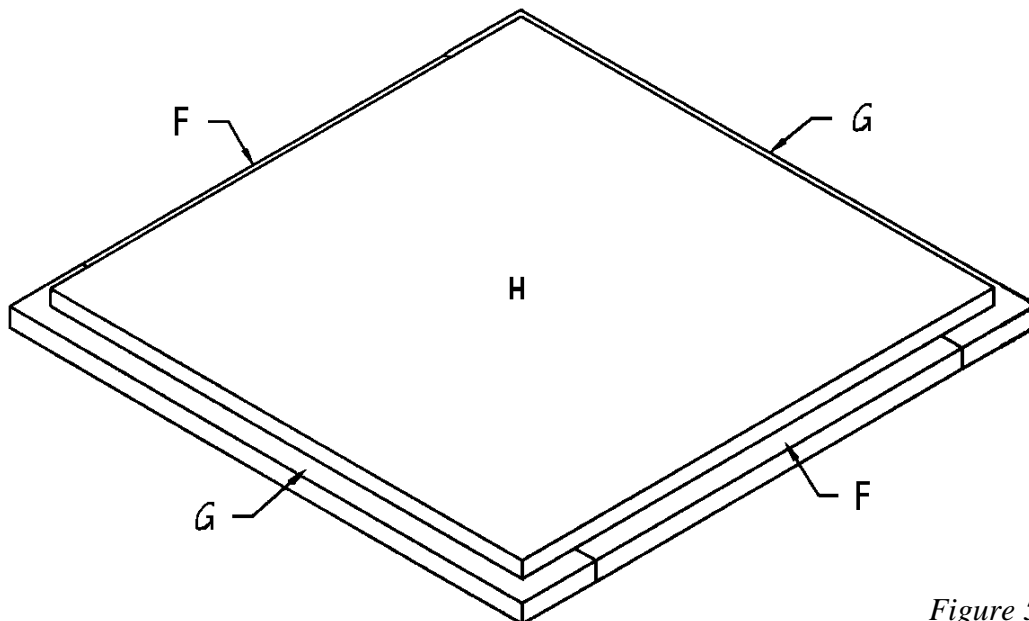


Figure 5

5. Cut one Lid Center (I) from 1 x 4 pine measuring 3-1/2 x 3-1/2 inches.
6. Turn the assembled Lid over so that Lid (H) is one the bottom and the Trims (F and G) are facing up. Using *Figure 6* as a guide, place the Lid Center (I) on the Lid (H). Apply glue to the meeting surfaces and nail through the Lid Center (I) into the Lid (H) using four 1-1/4" finish nails. Note: Do not nail in the center of the Lid Center (I), but rather nail an inch inside the corners of the Lid Center (I). The finial will be attached to the Lid Center (I) in the next step.
7. Drill into the Lid Center (I) using a 1/8-inch drill bit, making sure to center the hole in the Lid Center (H). Screw the finial into the Lid Center (I).

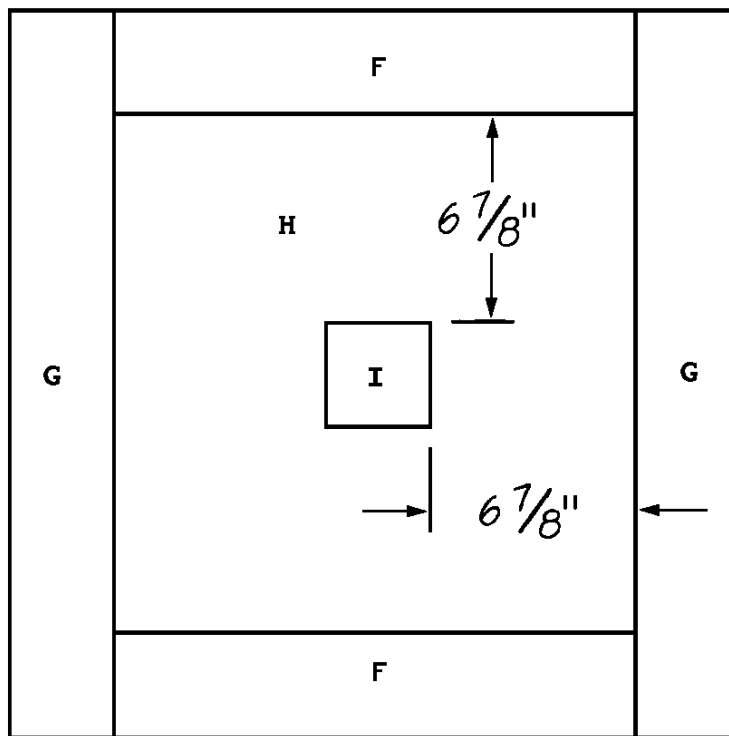


Figure 6

Finishing

1. Sand the container thoroughly and fill any cracks or crevices with wood filler.
2. Paint or stain your container the color of your choice, or leave it natural.



*Top corner of
Trash Container*

Enjoy other terrific indoor and outdoor projects from www.wowimadeit.com !



Your neighbors will love your comfortable backyard and want to try some projects for themselves. Even if they've never tried woodworking, they'll find a simple project that will get them hooked at www.wowimadeit.com .