



Wow! I Made It.com

## Portable Deck

*If you have always wanted an outdoor deck but are renting or not planning to live in your house very long, this portable deck is the answer. It also has the advantage of being built in squares that can be arranged, rearranged, or moved. So when you leave that apartment or rental house, this handy deck goes on the moving truck with you.*



## **Materials and Supplies**

- 22 linear feet of 2 x 6 pine
- 35 linear feet of 5/4 x 6 pine decking
- 3 linear feet of 4 x 4 pine

## **Hardware**

- 55, 2-1/2" wood screws
- 28, 3-1/2" wood screws

## **Cutting List (for one Square)**

Code	Description	Qty.	Materials	Dimensions
A	Short Side	3	2 x 6 pine	43" long
B	Long Side	2	2 x 6 pine	46" long
C	Top	8	5/4 x 6 pine	46" long
D	Leg	4	4 x 4 pine	7-1/2" long

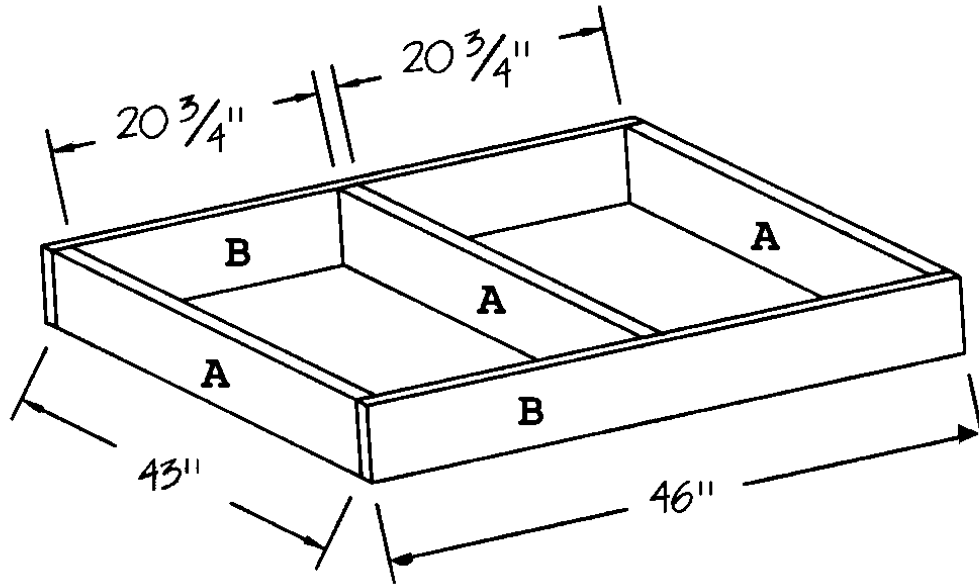
## **Building the Frames**

1. Cut three Short Sides (A) from 2 x 6 pine, each measuring 43 inches.
2. Cut two Long Sides (B) from 2 x 6 pine, each measuring 46 inches.
3. Position two of the Short Sides (A) on edge, parallel to each other and 43 inches apart. Place the two Long Sides (B) over the ends of the Short Sides (A) as shown in *Figure 1*. Apply glue to the meeting surfaces and nail through the Long Sides (B) into the ends of the Short Sides (A) using two 3-1/2" wood screws on each joint.
4. Place the third Short Side (A) between the two Long Sides (B) and parallel to the Short Sides (A) as shown in *Figure 1*. Apply glue to the meeting surfaces and screw through the face of the Long Side (B) into the end of the Short Side (A) using two 3-1/2" wood screws on each joint.

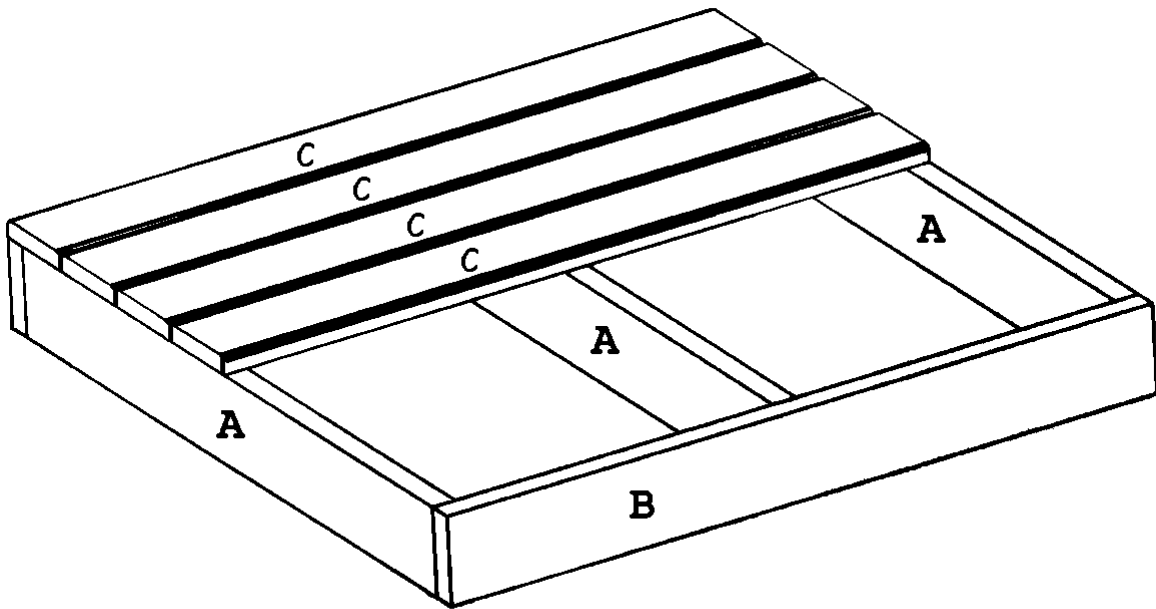
## **Adding the Decking**

1. Cut eight Tops (C) from 5/4 x 6 pine decking each measuring 46 inches.
2. Place the Tops (C) over one side of the assembled frame that the boards lay perpendicular to

the Short Sides (A) as shown in *Figure 2*. Screw through the face of the deck boards into the edges of all three Short Sides (A) using two 2-1/2" wood screws per joist.



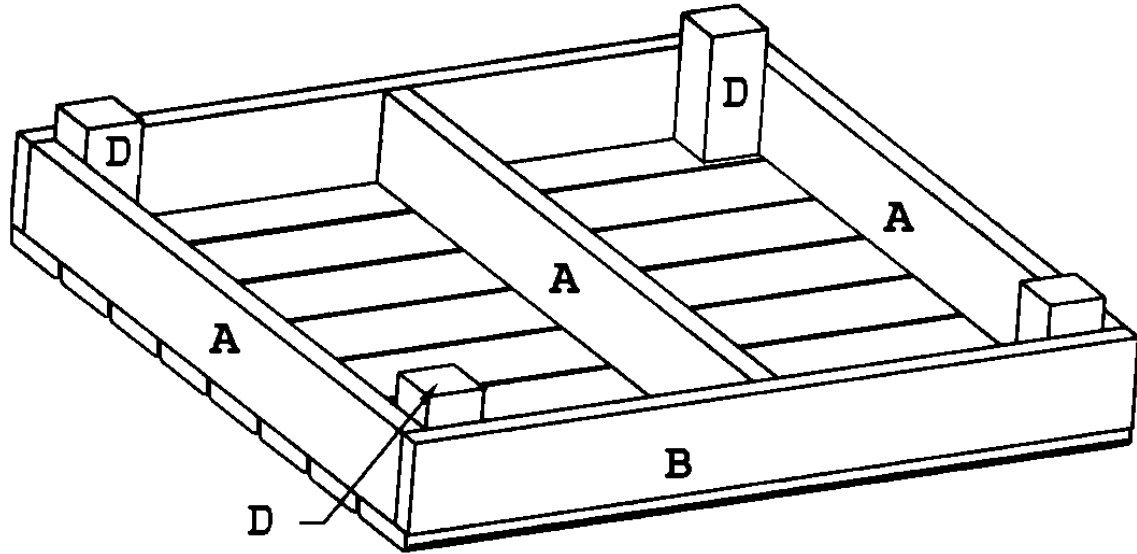
*Figure 1*



*Figure 2*

## ***Adding the Legs***

1. Cut four Legs (D) from 4 x 4 pine each measuring 7-1/2 inches.
2. Turn the assembled frame and decking over so that the decking is on the bottom. Place the four Legs (D) in each corner, as shown in *Figure 3* and secure each in place using two 3-1/2" wood screws in each Short Side (A) and each Long Side (B).



*Figure 3*



## ***Finishing***

1. Sand the edges of your deck square.
2. Paint, stain, or seal the deck square as desired.

Enjoy other terrific indoor and outdoor projects form [www.wowimadeit.com](http://www.wowimadeit.com) !



Your neighbors will love your comfortable backyard and want to try some projects for themselves. Even if they've never tried woodworking, they'll find a simple project that will get them hooked at [www.wowimadeit.com](http://www.wowimadeit.com) .