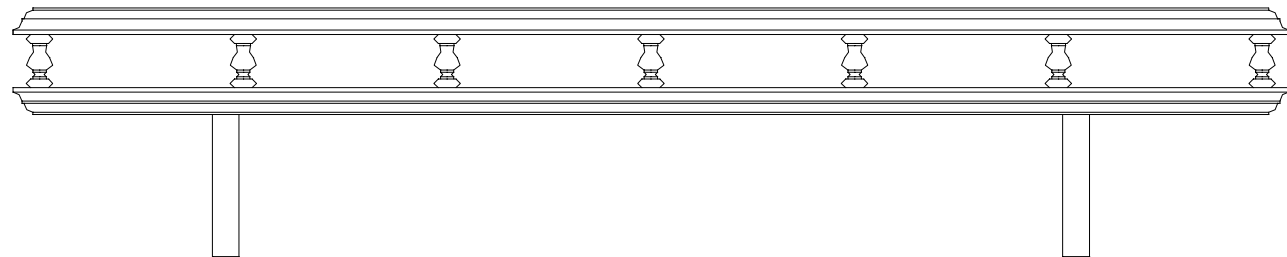
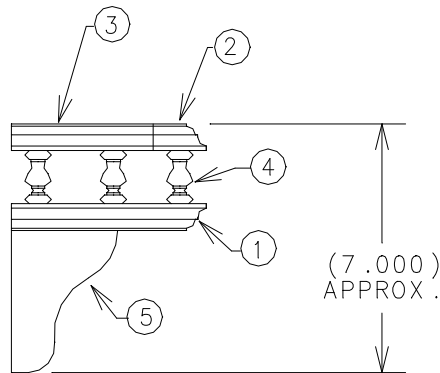


(SPINDLES OMITTED FOR CLARITY)



ITEM #	ITEM DESCRIPTION	(# REQUIRED)
1	1" x 6" x 36" OAK	(1 REQD.)
2	1" x 2" X 36" OAK	(1 REQD.)
3	1" x 2" x 4" OAK	(1 REQD.)
4	3/4" x 1-1/2" OAK SPINDLE	(11 REQD.)
5	1" x 3" x 4" OAK	(2 REQD.)

MISC ITEMS AND TOOLS NEEDED:

3/8" x 1" DOWEL PINS (4 REQD.)

HEAVY DUTY HANGERS (2 REQD.)

DRILL PRESS, ROUTER, JIGSAW, 3/8" FORSTNER BIT

1/4" ROUTER BIT, PROFILE BIT OF CHOICE,

GLUE, SANDPAPER, STAIN AND FINISH.

NOTES :

OVERALL HEIGHT DEPENDS ON LENGTH OF SPINDLES.

PART LIST REFLECTS THE "OFF THE SHELF" SIZE, WHILE THE DIMENSIONS ON THE DRAWING ARE EXACT.

© 1998 KEN EUBANKS Unpublished Copyright.
All Rights Reserved. This material may
not be reproduced without the written
permission of Ken Eubanks.

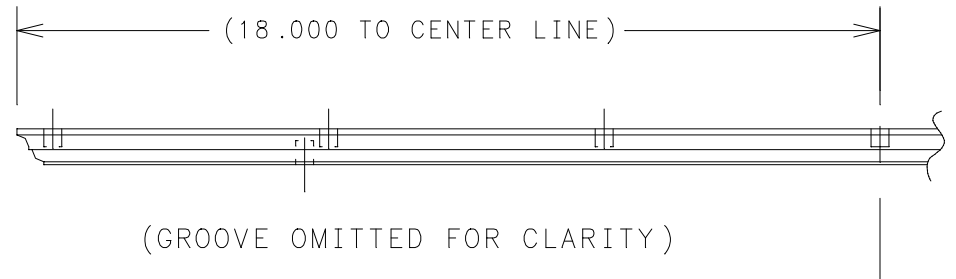
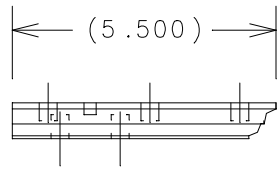
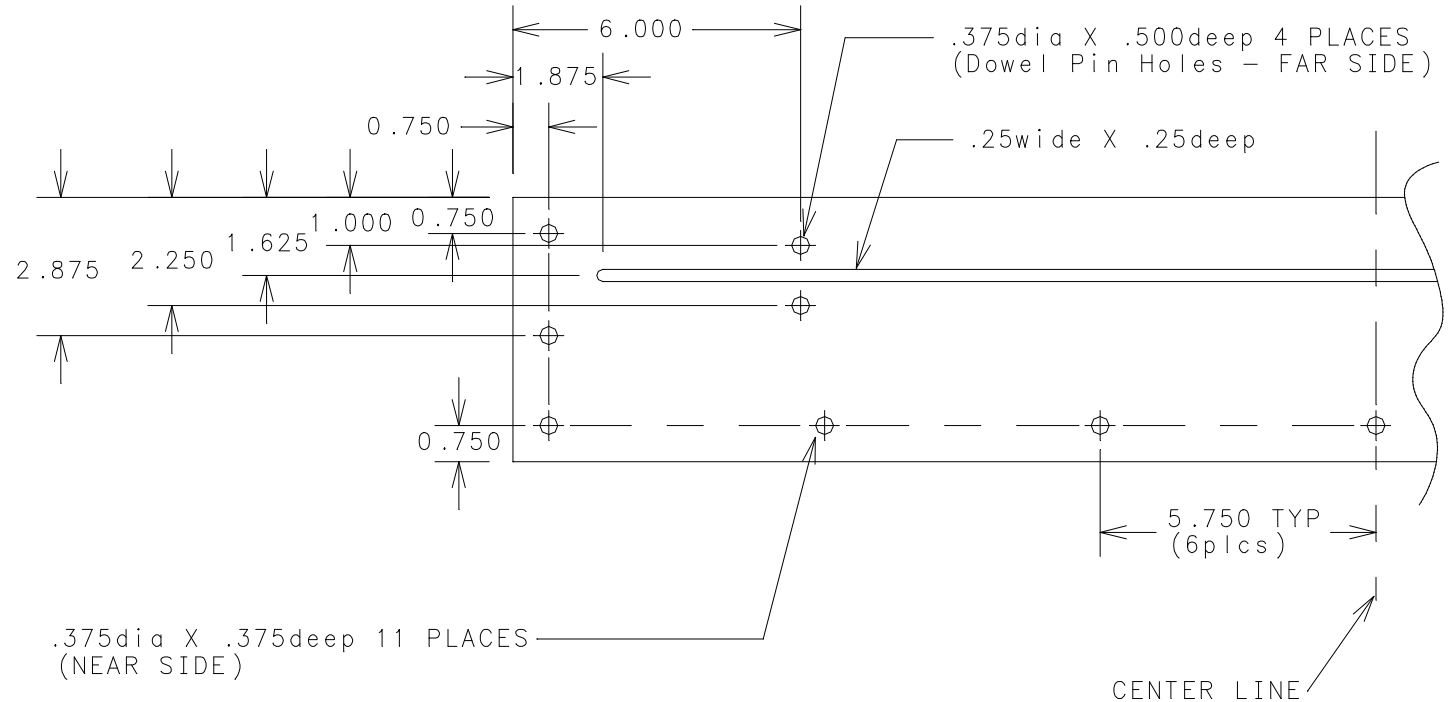
PLATE SHELF

Revision: A Part No.: PSHLF_1A.PAR

Scale: 3/16 Material: OAK

Page 01 of 04 Drawn By: K. EUBANKS

1



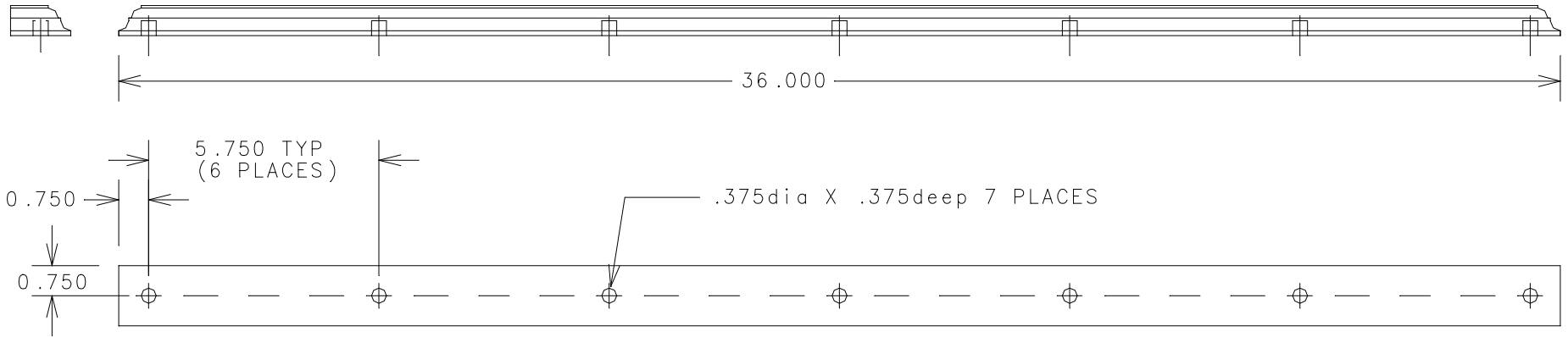
NOTE: ALL DIMENSIONS SHOWN ARE SYMMETRICAL ABOUT CENTER LINE.

© 1998 KEN EUBANKS Unpublished Copyright. All Rights Reserved. This material may not be reproduced without the written permission of Ken Eubanks.

PLATE SHELF

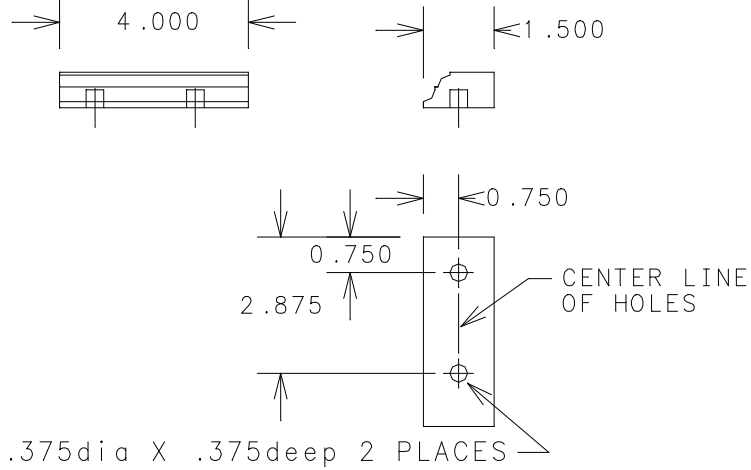
Revision: A	Part No.: PSHLF_2A.PAR
Scale: 1/4	Material: OAK
Page 02 of 04	Drawn By: K. EUBANKS

2



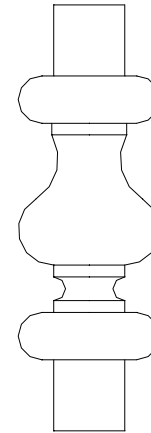
NOTE: ROUTE 2 ENDS AND ONE EDGE, OPPOSITE FACE FROM HOLES.

3



NOTE: 2 REQUIRED - ROUTE ONE EDGE, OPPOSITE OF EACH OTHER ABOUT CENTER LINE OF HOLES.

4



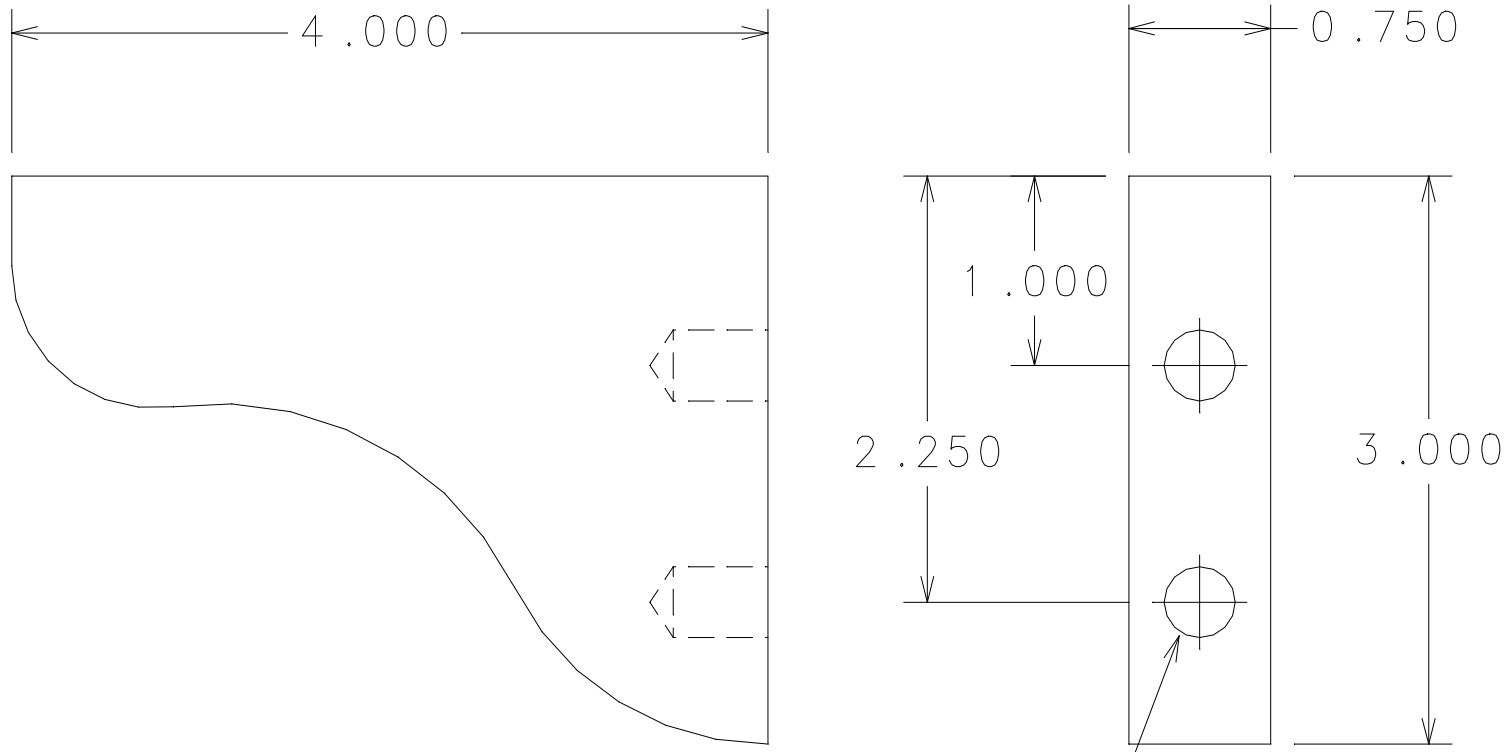
NOTE: ITEM MAY VARY DEPENDING ON SUPPLIER. 11 PIECES REQUIRED (NO SCALE)

© 1998 KEN EUBANKS Unpublished Copyright. All Rights Reserved. This material may not be reproduced without the written permission of Ken Eubanks.

PLATE SHELF

Revision: A	Part No.: PSHLF_3A.PAR
Scale: 1/4	Material: OAK
Page 03 of 04	Drawn By: K. EUBANKS

5



.375dia X .500deep 2 PLACES
(Dowel Pin Holes)

NOTE: THIS DETAIL SHOWN FULL SCALE.

© 1998 KEN EUBANKS Unpublished Copyright.
All Rights Reserved. This material may
not be reproduced without the written
permission of Ken Eubanks.

PLATE SHELF

Revision: A	Part No.: PSHLF_4A.PAR
Scale: FULL	Material: OAK
Page 04 of 04	Drawn By: K. EUBANKS