



Wow! I Made It.com

Pine Coffee Table

This simple-to-make coffee table is guaranteed to perk up the living room, and can be coordinated in any color scheme. The decorative trim pieces are painted wooded drawer pulls.



Materials List

- 35 linear feet of 1 x 4 pine
- 2 linear feet of 1 x 6 pine
- 3 linear feet of 1 x 8 pine
- Pre-made pine laminate, 21-1/2" x 45-1/2" approx. 3/4" thick
- 28 square wooden drawer pulls

Hardware

- 30, 1-5/8" wood screws
- 85, 1-1/2" (4d) finish nails
- 15, 2" (6d) finish nails

Special Tools and Techniques

- Bar clamps
- Miter

Cutting List

Code	Description	Qty.	Material	Dimensions
A	Leg Side	4	1 x 4 pine	17" long
B	Small Base	4	1 x 6 pine	5-1/2" long
C	Large Base	4	1 x 8 pine	7-1/4" long
D	Short Base Side	2	1 x 4 pine	21-1/2" long
E	Long Base Side	2	1 x 4 pine	47" long
F	Center Top	1	laminate	21-1/2" x 45-1/2"
G	Long Top Side	2	1 x 4 pine	52-1/2" long
H	Short Top Side	2	1 x 4 pine	28-1/2" long

Constructing the Legs

1. Cut four Leg Sides (A) from 1 x 4 pine, each measuring 17 inches.
2. Assemble the four Leg Sides (A), overlapping each piece in rotation as shown in *Figure 1*. With the four sides (A) in position the leg measures 4-1/4-inches wide on all sides. Apply

glue to the meeting surfaces and nail all four sides (A) along their entire length. Use 1-1/2" nails, spacing them about 6 inches apart.

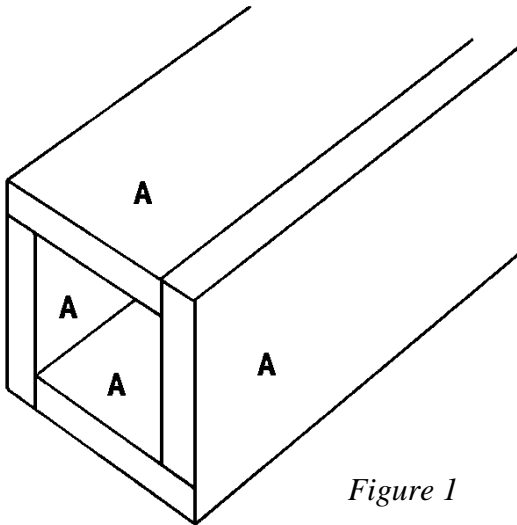


Figure 1

3. Cut four Small Bases (B) from 1 x 6 pine each measuring 5-1/2 inches.
 4. Cut four Large Bases (C) from 1 x 8 pine each measuring 7-1/4 inches.
 5. Center one Small Base (B) over one Large Base (C) as shown in *Figure 2*. Apply glue to the meeting surfaces, and nail the two pieces together using four 1-1/2" finishing nails.
 6. Repeat Step 5 three more times, using the remaining Small Bases (B) and Large Bases (C).
7. Center one base assembly (B and C) on top of one leg assembly, as shown in *Figure 3*. The Large Base (C) should be facing up with the small base (B) below it. Apply glue to the meeting surfaces, and attach the base assembly to the leg using four 2" finishing nails.
 8. Repeat Step 7 three more times to attach the remaining base assemblies to the remaining three legs.

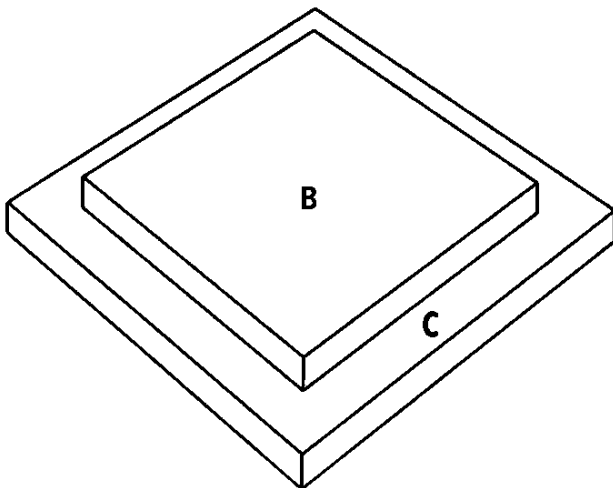


Figure 2

Constructing the Base Frame

1. Cut two Short Base Sides (D), each measuring 21-1/2 inches.
2. Cut two Long Base Sides (E), each measuring 47 inches.
3. Place the two short Base Sides (D) on edge, parallel to each other and 45-1/2 inches apart. Place the two Long Base Sides (E) over the ends of the two Short Base Sides (D) to form a rectangle, as shown in *Figure 4*.
- 4.

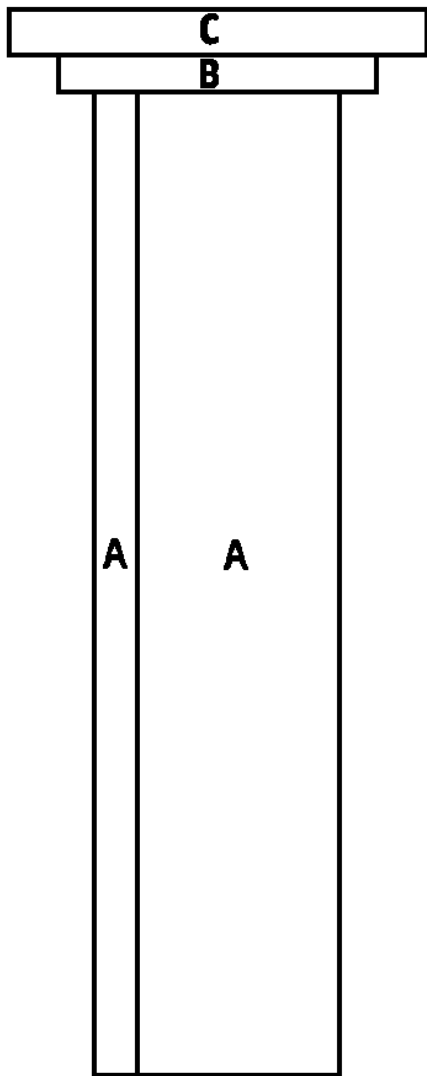


Figure 3

4. Place the legs upside-down inside each corner of the assembled base frame, as shown in *Figure 4*. Apply glue to the meeting surfaces and attach the legs to the base frame using two 1-5/8" wood screws on each side of each leg. Screw through the base frame into the legs.

Constructing the Table Top

1. Trim the laminated Center Top (F) to 21-1/2 x 45-1/2 inches.
2. Cut two Long Top Sides (G), from 1 x 4 pine each measuring 52-1/2 inches.
3. Cut two Short Top Sides (H) from 1 x 4 pine, each measuring 28-1/2 inches.
4. Place the Center Top (F) on a level surface. Place the two Long Top Sides (G) on the long sides of the Center Top (F), as shown in *Figure 5*. Place the two Short Top Sides (H) on the short sides of the laminate Center Top (F). Apply glue to the meeting surfaces. Hold the assembled top in place using bar clamps, and set aside to dry for 24 hours.
5. Center the tabletop over the base. Apply glue to the meeting surfaces, and nail through the sides (G and H) into the base sides (D and E) using 1-1/2" finishing nails spaced about every five inches.

Finishing

1. Fill any holes, cracks or crevices with wood filler.
2. Thoroughly sand all areas of the completed coffee table.
3. Paint or stain the coffee table with the color of your choice. We chose a clear stain and sealer.
4. Paint twenty-eight drawer pulls the color of your choice. We chose a salmon color.

5. Refer to *Figure 6* and drill ten holes on each of the long base sides and four holes on each of the short base sides. Insert the drawer pull screws through the holes, and attach the drawer pulls.

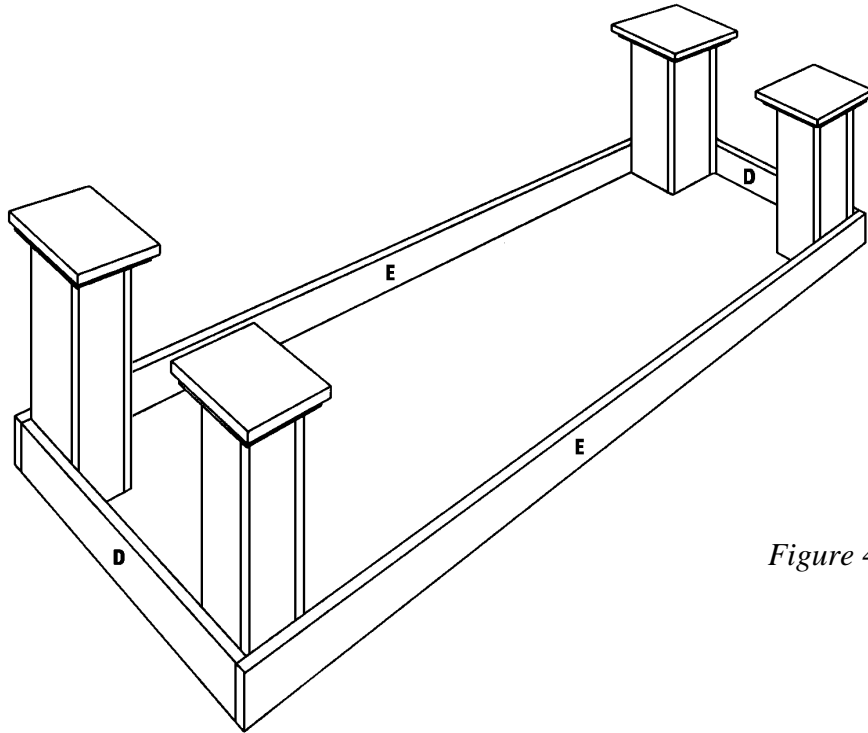


Figure 4

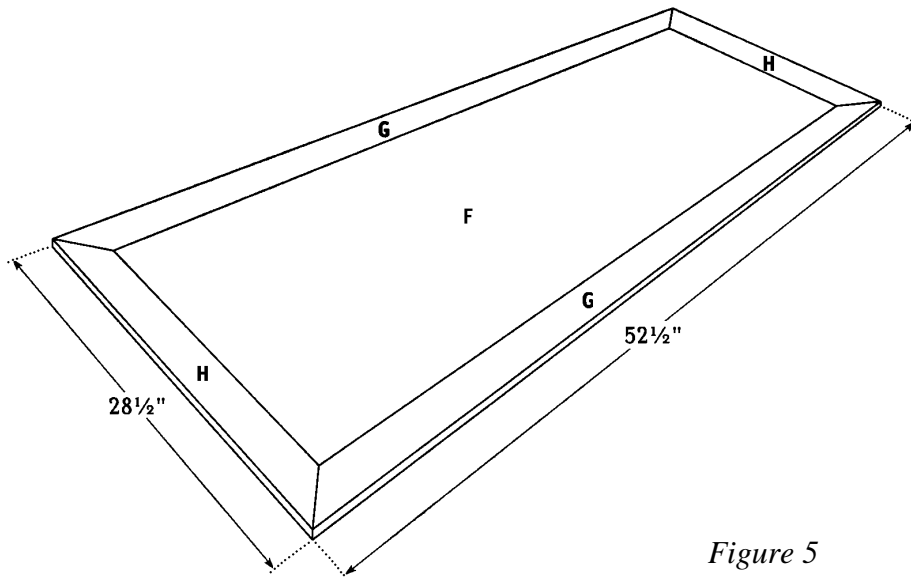


Figure 5

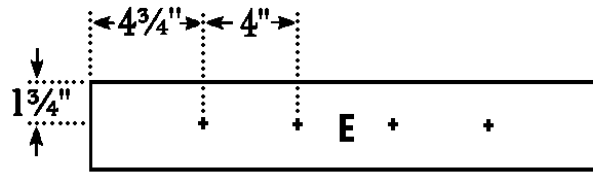
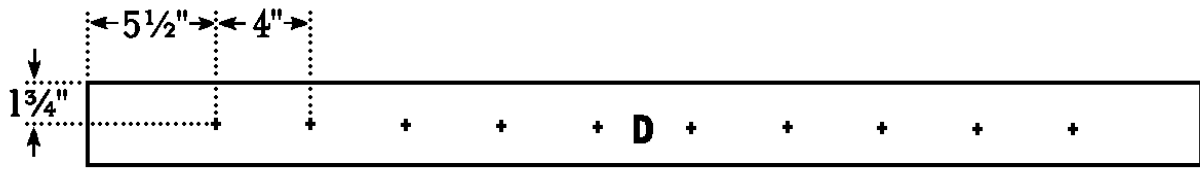


Figure 6



Enjoy many other indoor and outdoor projects from www.wowimadeit.com

