



Wow! I Made It.com

## Outdoor Bar

*You are sure to be the “hostess with the mostest” at your next party when you outfit this outdoor bar with a choice of beverages. The bar is great for outdoor entertaining, since it keeps the beverage service out of the kitchen.*



## **Materials**

- 4' x 8' sheet of 1/4" plywood
- 16 linear feet of 2 x 2 pine
- 4 decorative 4 x 4 posts, at least 45" long
- 21 linear feet of 2 x 4 pine
- 10 linear feet of 1 x 2 pine
- 4' x 4' sheet of lattice
- 4"-wide top rail, 5' long
- 16 square feet of tile
- 1 qt. ceramic tile adhesive
- 7 lb. sanded grout, in color of your choice
- Small bottle of silicon grout sealer



## **Hardware**

- 25, 1-5/8" wood screws
- 40, 2-1/2" wood screws
- 35, 2" wood screws
- 10, 2" (6d) finish nails
- 20, 1-1/4" (3d) finish nails
- 30, 1" (2d) finish nails

## **Special Tools and Techniques**

- Bar clamps
- Miter
- 1/8" V trowel
- Rubber tile float

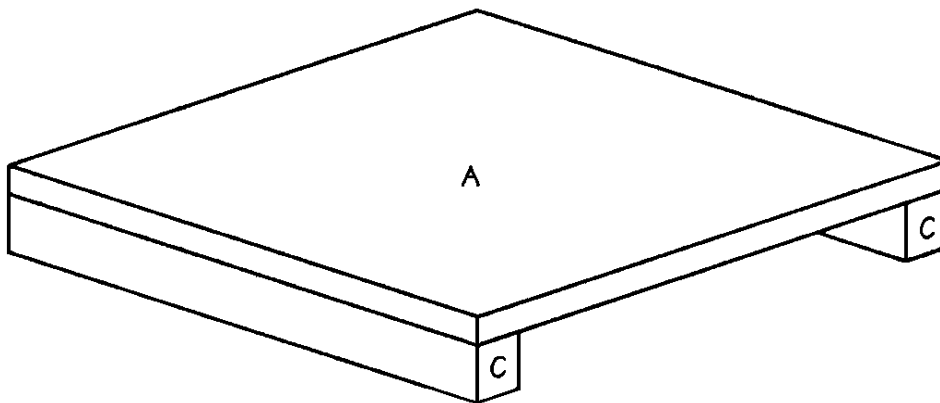
## **Cutting List**

Code	Description	Qty.	Materials	Dimensions
A	Side	2	3/4" plywood	16" x 17"
B	Front	1	3/4" plywood	16" x 41"
C	Support	8	2 x 2 pine	16" long
D	Leg	4	4 x 4 pine	44" long
E	Shelf Trim	2	2 x 4 pine	41" long
F	Short Brace	2	1 x 2 pine	15-1/2" long
G	Long Brace	2	1 x 2 pine	41" long
H	Shelf	1	3/4" plywood	44" X 20"

I	Top	1	$\frac{3}{4}$ " plywood	24" x 48"
J	Front Trim	1	2 x 4 pine	51-1/8" long
K	Side Trim	2	2 x 4 pine	25-1/4" long
L	Front Lattice	1	Lattice	16" x 41"
M	Side Lattice	2	Lattice	16" x 17"
N	Rail Support	1	2 x 4 pine	52" long
O	Foot Rail	1	4"-wide top rail	52" long

### ***Building the Frame***

1. Cut two Sides (A) from  $\frac{3}{4}$ " thick plywood, each measuring 16 x 17 inches.
2. Cut one Front (B) from  $\frac{3}{4}$ " thick plywood, measuring 16 x 41 inches.
3. Cut eight Supports (C) from 2 x 2 pine, each measuring 16 inches.
4. Place two Supports (C) on a level surface parallel to each other and 14 inches apart. Place the short end of one Side (A) over the Supports (C), as shown in *Figure 1*. Apply glue to the meeting surfaces, and screw through the Side (A) into the supports (C), using four 1-5/8-inch wood screws in each Support (C).



*Figure 1*

5. Repeat Step 4 to assemble the remaining Side (A) and two Supports (C).
6. Place two Supports (C) parallel to each other on a level surface and 38 inches apart. In the same way that the Sides (A) were assembled, place the short end of the Front (B) over the two Supports (C). Apply glue to the meeting surfaces, and screw through the Front (B) into the Supports (C), using four 1-5/8" screws in each Support (C).

## Attaching the Posts

1. Cut four Legs (D) from 4 x 4 pine, each measuring 44 inches.
2. Place the assembled Front (B) and Supports (C) on edge and place one Leg (D) over the end of the Front (B) and Support (C) assembly, as shown in *Figure 2*. Apply glue to the meeting surface, and clamp in place while you screw through the Support (C) into the Leg (D), using four 2-1/2" wood screws.

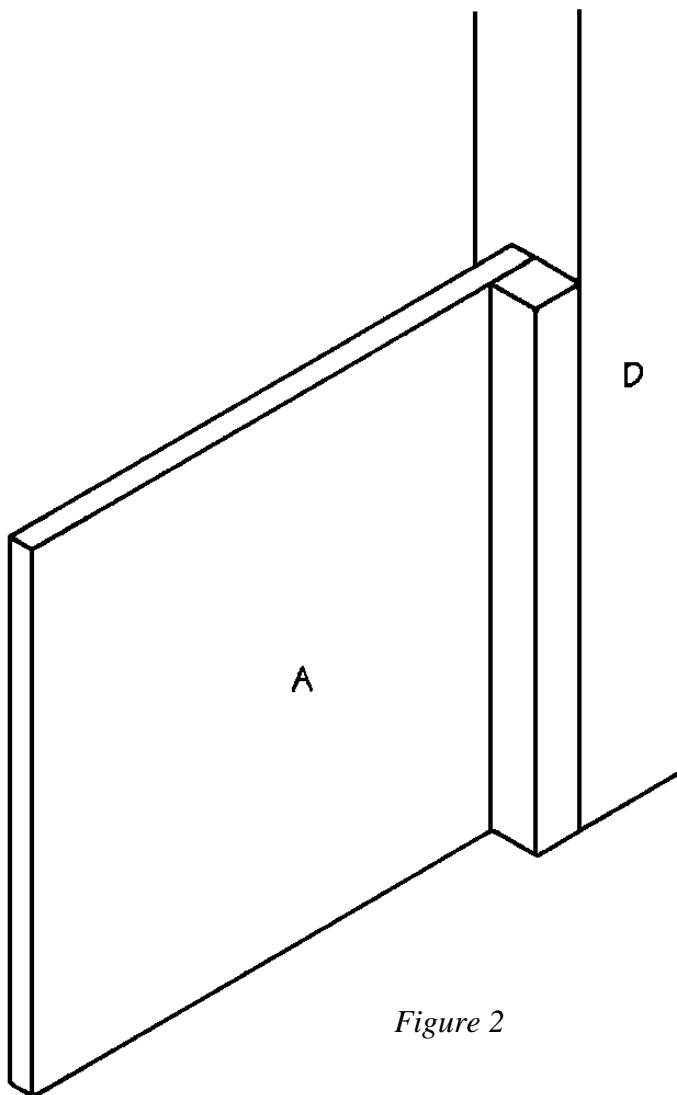
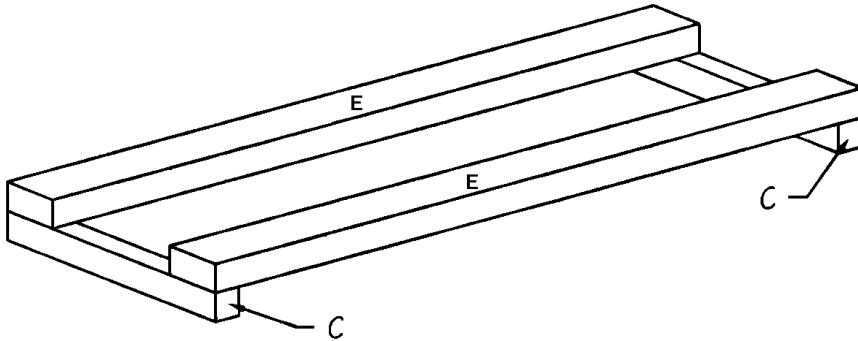


Figure 2

3. Repeat Step 1 to attach a Leg (D) to the other end of the assembled Front (B).
4. Place one of the assembled Sides (A) on edge, place one leg (D) over one end of the Front (B) and Support (C) assembly, as shown in *Figure 2*. Apply glue to the meeting surfaces, and clamp in place while you screw through the Support (C) into the Leg (D), using four 2-1/2" wood screws.
5. Repeat Step 3 to attach another Leg (D) to the other end of the assembled Side (A).
6. Repeat Steps 3 and 4 to attach the Legs (D) to the remaining Side (A).
7. Cut two Shelf Trims (E) from 2 x 4 pine, each measuring 41 inches.
8. Place the remaining two Supports (C) flat on a level surface parallel to each other and 41 inches apart. Place the two Shelf Trims (E) over the Supports (C), as shown in *Figure 3*. Screw through the Shelf Trims (E) into the Supports (C), using two 2-inch wood screws per joint.

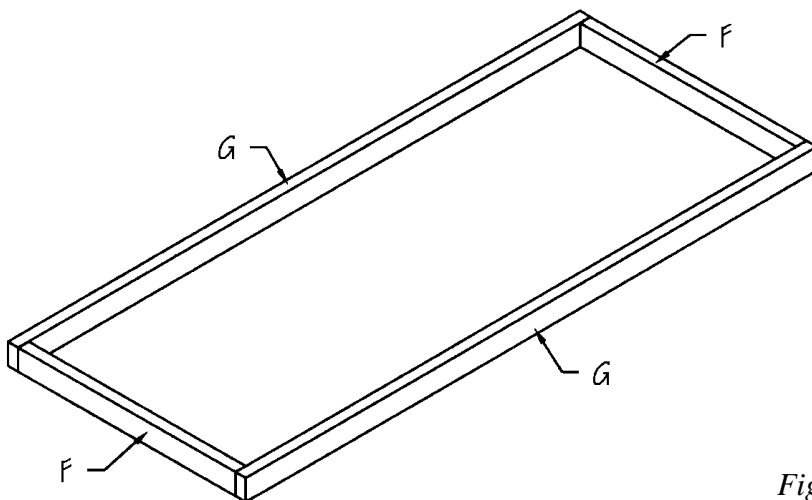
- Place the assembled Shelf Trims (E) and Supports (C) between the Legs (D) of the assembled Sides (A) and parallel to the Front (A). Apply glue to the meeting surfaces, and screw through the Supports (C) into the Legs (D), using four 2-inch wood screws. Note: Make sure that the Shelf Trims (E) are facing away from the inside of the frame.



*Figure 3*

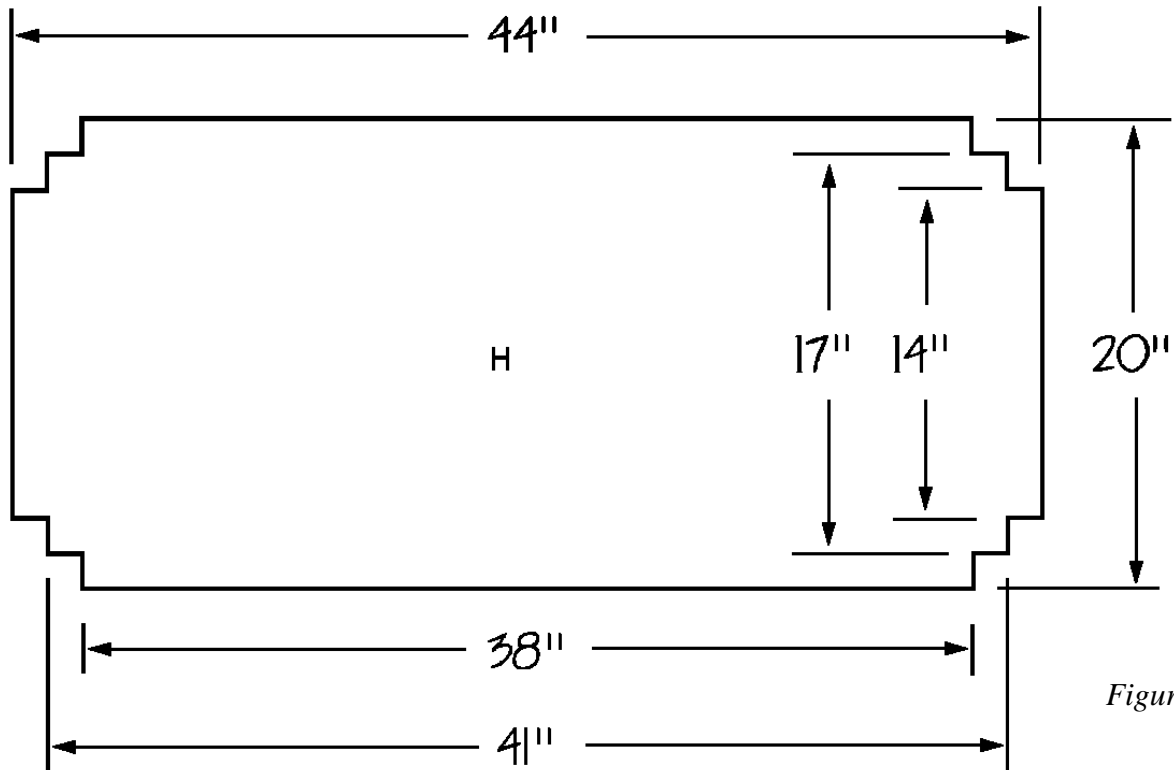
### **Adding the Shelf**

- Cut two Short Braces (F) from 1 x 2 pine, each measuring 15-1/2 inches.
- Cut two Long Braces (G) from 1 x 2 pine, each measuring 41 inches.
- Position the two Short Braces (F) on edge, parallel to each other and 39-1/2" apart.
- Position the two Long Braces (G) over the ends of the short Braces (F, as shown in *Figure 4*). Apply glue to the meeting surfaces, and nail through the Long Braces (G) into the ends of the Short Braces (F), using two 2-inch finish nails in each joint.



*Figure 4*

5. Cut one Shelf (F) from  $\frac{3}{4}$  thick plywood, measuring 44 x 20 inches. Refer to *Figure 5* to cut out the corners.



6. Place the Shelf (H) over the Long and Short Braces (F and G). Apply glue to the meeting surfaces, and nail through the Shelf (H) into the Short and Long Braces (F and G), using 1-1/4" finish nails spaced about every 5 inches.
7. The assembled shelf will be installed with the bar frame lying down and the Front (B) facing the work surface. Place the assembled shelf inside the four corners formed by the Supports (C), as shown in *Figure 6*. (Shelf not included in figure to better show braces.) Screw through the face of the Long and Short Braces (F and G) into the two Supports (C) in each corner, using 2-inch wood screws.

### **Adding the Top**

1. Cut one Top (I) from  $\frac{3}{4}$  thick plywood, measuring 24 x 48 inches.
2. Turn the assembled bar over onto its legs. Place the Top (I) over the ends of the legs (D), as shown in *Figure 7*. Screw through the Top (I) into the ends of the Legs (D), using two 2-inch wood screws in each corner.

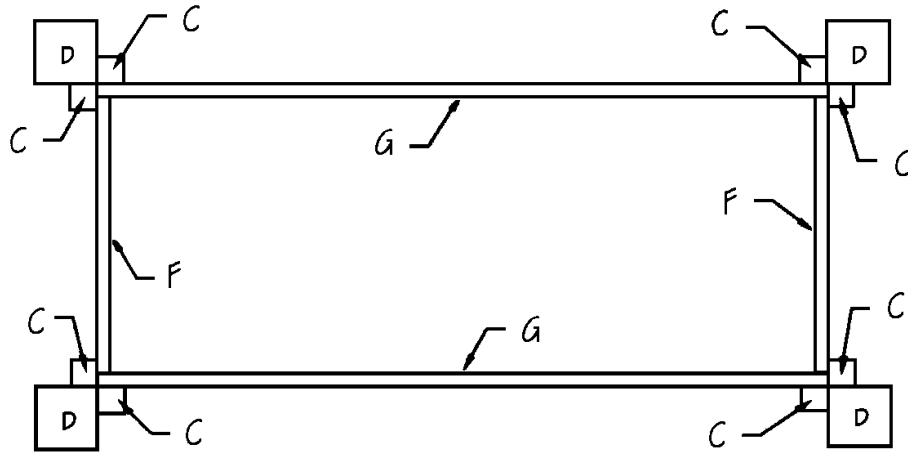


Figure 6

3. Cut one Front Trim (J) from 2 x 4 pine, measuring 51-1/8 inches. An optional step at this point is to bevel the edge of the trim at a 30-degree angle. The corners are also mitered at opposing 45-degree angles, as shown in *Figure 8*.

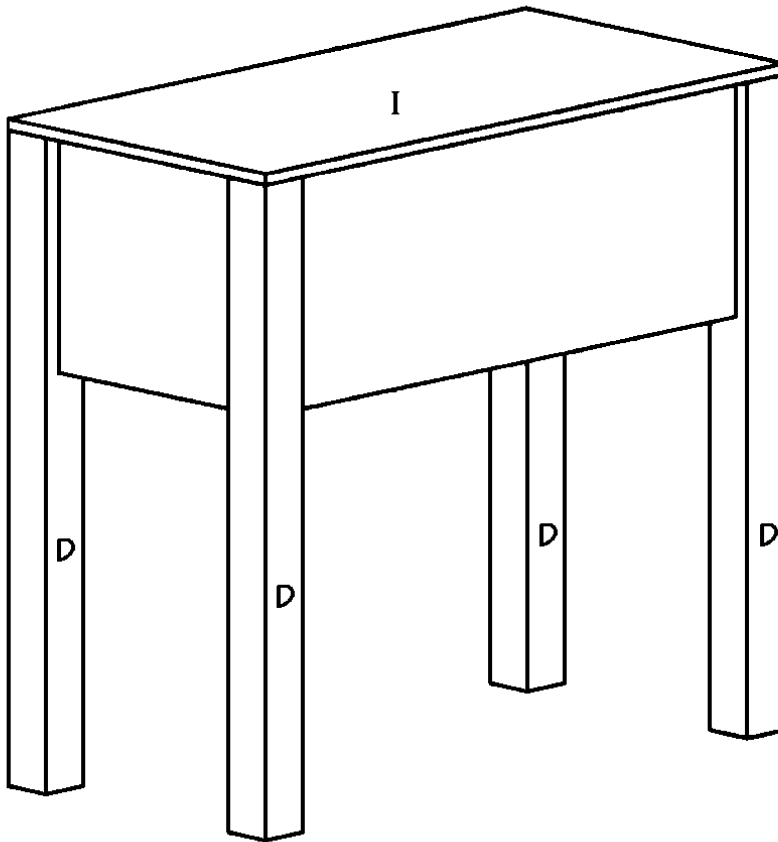
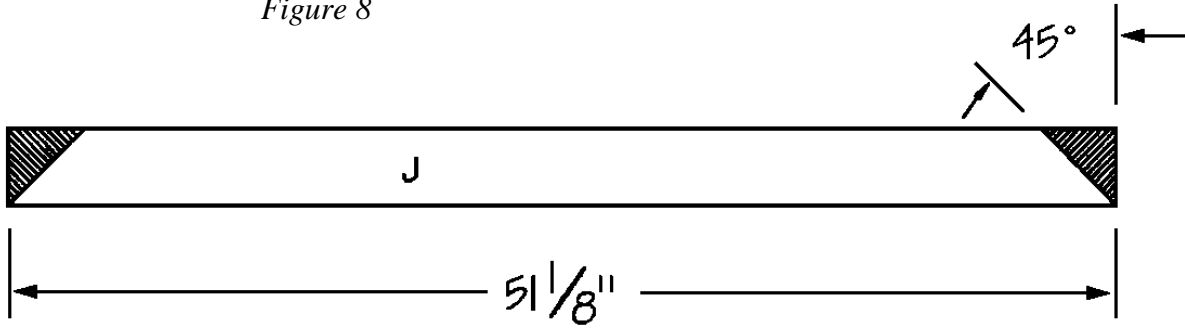


Figure 7

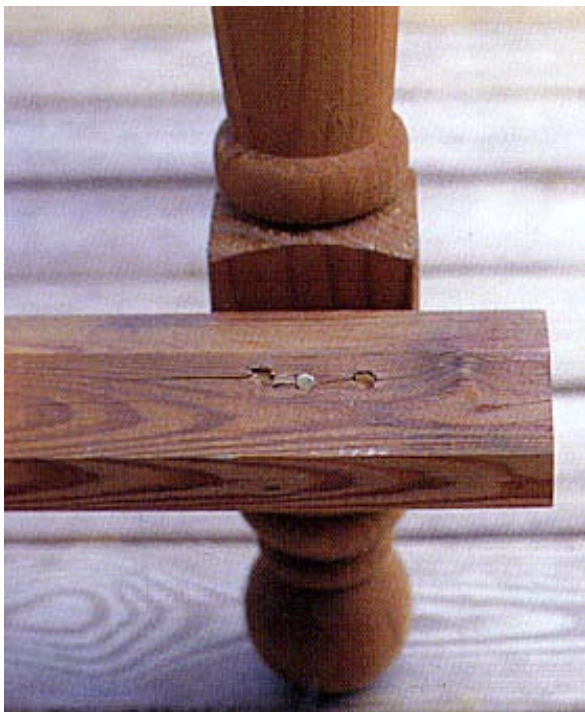


Figure 8



4. Cut two Side Trims (K) from 2 x 4 pine, each measuring 25-1/4" inches. We beveled one edge as we did for the front trim pieces and mitered one end of each board. Note: The miters on each board are opposites of each other.
5. Attach the Front Trim (J) to the legs (D) and Top (I), keeping the beveled edge of the Front Trim (J) up and 1/4 inch above the Top (I) to leave room for the tile to be installed. Screw through the Front Trim (J) into the Legs (D), using two 2-1/2" wood screws in each Leg (D).
6. Attach the Side Trim (K) to one side of the bar, so that the 45-degree miters meet. Screw through the Side Trim (K) into the Legs (D), using two 2-1/2" screws in each leg.
7. Repeat Step 6 to attach the remaining Side Trim (K).

### ***Adding the Lattice and Foot Rail***



1. Cut one Front Lattice (L) from lattice, measuring 16 x 41 inches.
2. Place the Front Lattice (L) over the Front (B). Apply glue to the meeting surfaces, and nail through the Front Lattice (L), using 1-inch finish nails.
3. Cut two Side Lattices (M) from lattice, each measuring 16 x 17 inches.
4. Place one Side Lattice (M) over one Side (A). Apply glue to the meeting surfaces, and nail through the Side Lattice (M), using 1" finish nails.



5. Repeat Step 4 to attach the remaining Side lattice (M) to the opposite Side (A).
6. Cut one Rail Support (N) from 2 x 4 pine, measuring 52 inches.
7. Bevel one edge of the Rail Support (N) at a 45-degree angle along its length.
8. Center the Rail Support (N) over the two front legs (D), 8 inches from the ground. Note that the Rail Support (N) will extend past the legs (D) about 2 inches on each side. Apply glue to the meeting surfaces, and screw through the Rail Support (N) into the Legs (D), using two 2-inch wood screws on each joint.
9. Cut one Foot Rail (O) from 4"-wide top rail, measuring 52 inches.
10. Place the Foot Rail (O) over the Rail Support (N). Apply glue to the meeting surfaces, and screw through the Foot Rail (O) into the Rail Support (N), using 2-inch wood screws spaced every 6 inches.

### ***Adding the Tile***

1. Following the manufacturer's directions carefully spread an even coat of the tile adhesive over the surface of the Top (I) with a 1/8" V trowel.
2. Place the tiles on the adhesive one at a time, making sure that they are positioned correctly. Do not slide the tiles, or the adhesive will be forced up on the sides of the tile. Let the adhesive dry overnight.
3. Mix the tile grout according to the manufacturer's directions
4. Spread the grout over the tile, using a rubber-surfaced float held at a 45-degree angle so that the grout is forced evenly into the spaces between the tiles.
5. Use a wet sponge to wipe the excess grout off the tiles and joints. If you let it dry, the hardened grout will be very difficult to remove. Try to use as little water as possible when removing the excess, so that you do not thin the grout that remains. Let the grout dry overnight.
6. Rinse the remaining film from the tile and wipe it dry with an old towel.
7. Apply grout sealer, following the manufacturer's directions.

### ***Finishing***

1. Sand the entire bar thoroughly.
2. Finish with a stain (we used cherry stain and blue paint for the trim on this one), or leave it natural.

Enjoy other terrific indoor and outdoor projects from [www.wowimadeit.com](http://www.wowimadeit.com).



When your friends and neighbors see your terrific backyard, they'll want to know where you got such customized outdoor furniture! Even if they're not experienced woodworkers, they'll find an easy project to get them hooked at [www.wowimadeit.com](http://www.wowimadeit.com).