

Little Shop Mark II New Center Cabinet

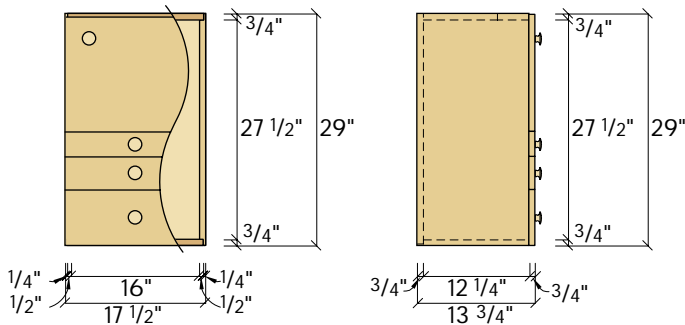
No.	Item	Dimensions T W L	Material
1	Large top	3/4" x 25 1/2" x 41 1/2"	Plywood
1	Small top	3/4" x 25 1/2" x 17 1/2"	Plywood
3	Buildup strips	3/4" x 4" x 96"	Plywood
4	Solid edging strips	3/4" x 1 1/2" x 96"	Maple
<b>Center Case</b>			
1	Small end	3/4" x 23 3/4" x 16"	Plywood
1	Large end	3/4" x 23 3/4" x 27 1/2"	Plywood
1	Small partition	3/4" x 23 1/4" x 14 1/2"	Plywood
1	Large partition	3/4" x 23 1/4" x 26 3/4"	Plywood
1	Vertical divider	3/4" x 23 1/4" x 21 1/4"	Plywood
1	Dust shelf	1/4" x 23" x 14"	Plywood
1	Top	3/4" x 23 3/4" x 28 1/2"	Plywood
1	Bottom	3/4" x 23 3/4" x 47"	Plywood
1	Case back	1/2" x 27" x 47"	Plywood
2	Case rails	3/4" x 4" x 18 1/2"	Plywood
1	Drw. rail	3/4" x 4" x 18"	Plywood
2	Support rails	1 1/2" x 5 1/2" x 47 1/2"	Pine
1	Large door	3/4" x 19" x 22 1/2"	Plywood
1	Small door	3/4" x 14 1/2" x 15 7/8"	Plywood

<b>Rollouts</b>			
4	Backs	1/2" x 2" x 12"	Plywood
4	Fronts	1/2" x 2" x 12"	Maple
4	Bottoms	1/4" x 12" x 22 1/4"	Plywood
8	Sides	1/2" x 2" x 22 3/4"	Plywood

<b>Lower drawers</b>			
2	False fronts	3/4" x 8" x 13 3/4"	Plywood
4	Fronts & backs	1/2" x 6" x 12"	Plywood
4	Sides	1/2" x 6" x 22 1/2"	Plywood
2	Bottoms	1/4" x 12" x 22"	Plywood

<b>Upper drawer</b>			
1	False front	3/4" x 4 1/4" x 19"	Plywood
2	Front & back	1/2" x 2 3/4" x 16"	Plywood
2	Sides	1/2" x 2 3/4" x 22 3/4"	Plywood
1	Bottom	1/4" x 16" x 22 1/4"	Plywood

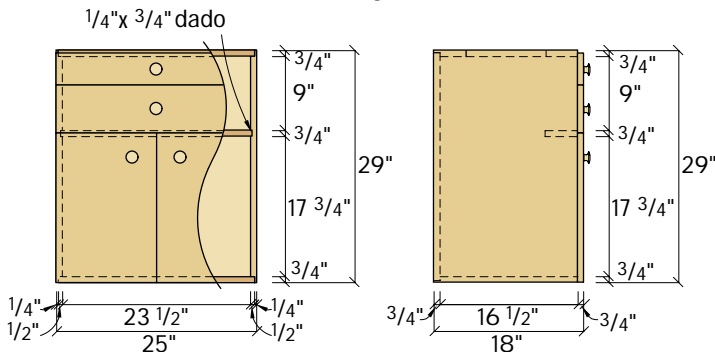
Router cabinet



Elevation

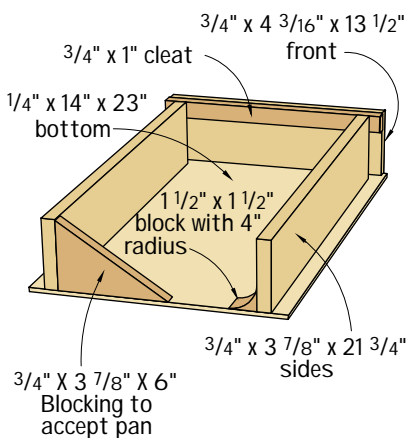
Profile

General storage cabinet



Elevation

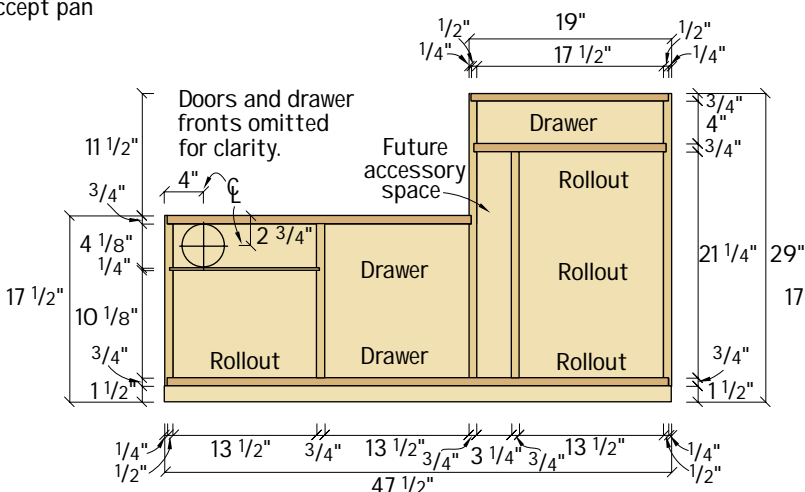
Profile



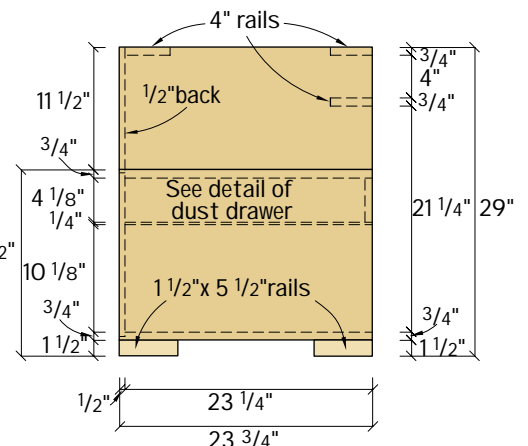
\$500 Shop Old Cabinets

No.	Item	Dimensions T W L
<b>Router Cabinet</b>		
2	Ends	3/4" x 13" x 29"
1	Back	3/4" x 17" x 28 3/4"
1	Bottom	3/4" x 13" x 17"
1	Top stretcher (front)	3/4" x 4" x 17"
1	Door	3/4" x 17 1/2" x 14 5/8"
1	Drawer front	3/4" x 17 1/2" x 3"
1	Drawer subfront	1/2" x 2 1/2" x 15 7/16"
1	Drawer back	1/2" x 2" x 15 7/16"
2	Drawer sides	1/2" x 2 1/2" x 12"
1	Drawer bottom	1/4" x 11 3/4" x 15 7/16"
1	Drawer front	3/4" x 17 1/2" x 3 7/8"
1	Drawer subfront	1/2" x 3 1/2" x 14 1/2"
1	Drawer back	1/2" x 3" x 14 1/2"
2	Drawer sides	1/2" x 3 1/2" x 12"
1	Drawer bottom	1/4" x 11 3/4" x 14 1/2"
1	Drawer front	3/4" x 17 1/2" x 7"
1	Drawer subfront	1/2" x 6" x 14 1/2"
1	Drawer back	1/2" x 5 1/2" x 14 1/2"
1	Drawer side	1/2" x 6" x 12"
1	Drawer bottom	1/4" x 11 3/4" x 14 1/2"

<b>General Storage Cabinet</b>		
2	Ends	3/4" x 17 1/4" x 29"
1	Back	3/4" x 24 1/2" x 28 1/2"
1	Bottom	3/4" x 17 1/4" x 24 1/2"
2	Stretchers	3/4" x 4" x 24 1/2"
1	Rail	3/4" x 4" x 24 1/4"
1	Drawer front	3/4" x 25" x 4"
1	Drawer subfront	1/2" x 3" x 22"
1	Drawer back	1/2" x 2 1/2" x 22"
2	Drawer sides	1/2" x 3" x 16"
2	Drawer bottoms	1/4" x 15 3/4" x 22"
1	Drawer front	3/4" x 25" x 5 3/4"
1	Drawer subfront	1/2" x 4 1/2" x 22"
1	Back	1/2" x 4" x 22"
2	Sides	1/2" x 4 1/2" x 16"
2	Doors	3/4" x 12 1/16" x 18 3/4"



Elevation



Profile