



Wow! I Made It.com

## Coat Rack

*Attach purchased gingerbread brackets to a pre-made porch post to create a decorative and functional coat rack for your hallway. The entire project can be completed in just one day!*



## **Materials List**

- 1 pre-made porch post, at least 6' long
- 3 linear feet of 1 x 3 pine
- 4 linear feet of 1 x 4 pine
- 1 fence post finial
- 4 gingerbread brackets, each measuring 6-1/4" x 8-1/2" on the straight sides.

## **Hardware**

- 15 1-1/4" 3d finish nails
- 30 1-1/2" 4d finish nails
- 4 metal coat hooks

## **Cutting List**

Code	Description	Qty.	Material	Dimensions
A	Post	1	porch post	at least 6' long
B	Trim	4	1 x 3 pine	6-1/2" long
C	Long Base	1	1 x 4 pine	24" long
D	Short Base	2	1 x 4 pine	10-1/4" long

## **Constructing the Coat Rack**

1. Cut the Post (A) to the length you desire--we cut ours to 65 inches. First cut the top of the post so the upper square with flat sides will measure 5 inches. Then we cut the other end of post to the desired length.
2. Fill any cracks or imperfections with wood filler and thoroughly sand the entire post.
3. Cut four Trims (B) from 1 x 3 pine, each measuring 6-1/2 inches.
4. Center one Trim (B) on one flat side of the Post (A), flush with the bottom of the Post (A), as shown in *Figure 1*. Apply glue to the meeting surfaces and nail through the Trim (B) into the Post (A) using three 1-1/2" nails.
5. Center one 6-1/4-inch-long side of the gingerbread bracket over the Trim (B), flush with the bottom of the Trim (B), as shown in *Figure 2*. Apply glue to the meeting surfaces, and nail through the bracket into the Trim (B) using four 1-1/2" nails.

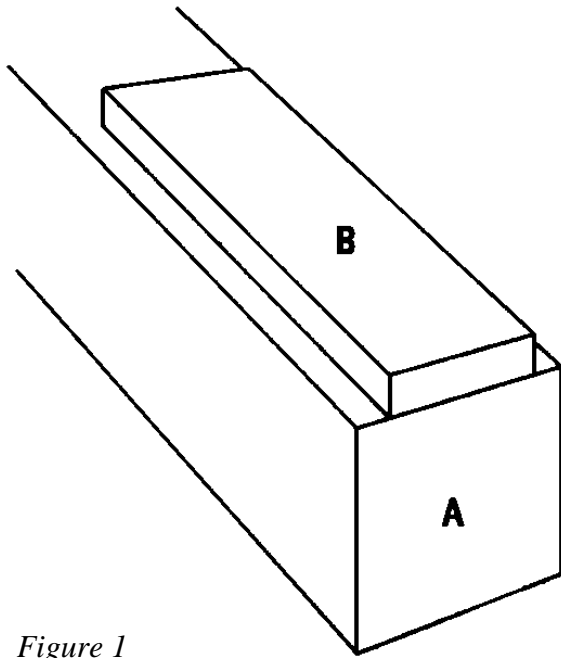


Figure 1

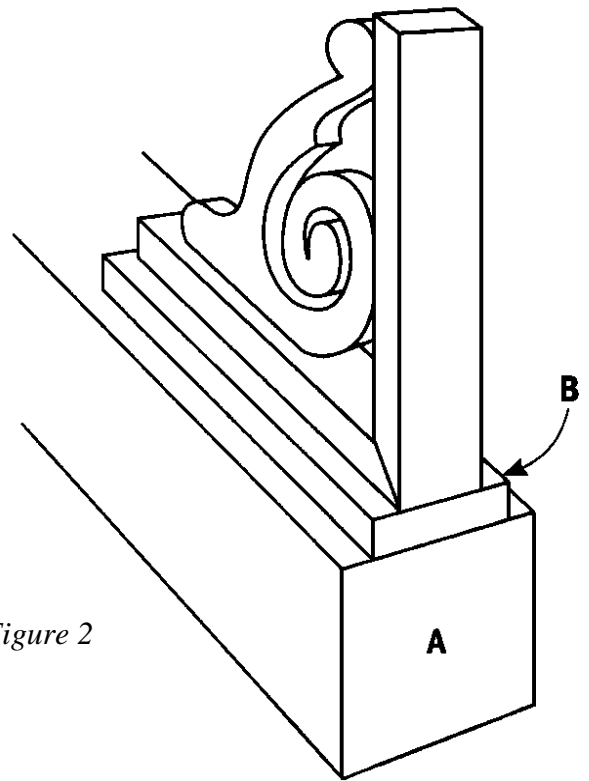
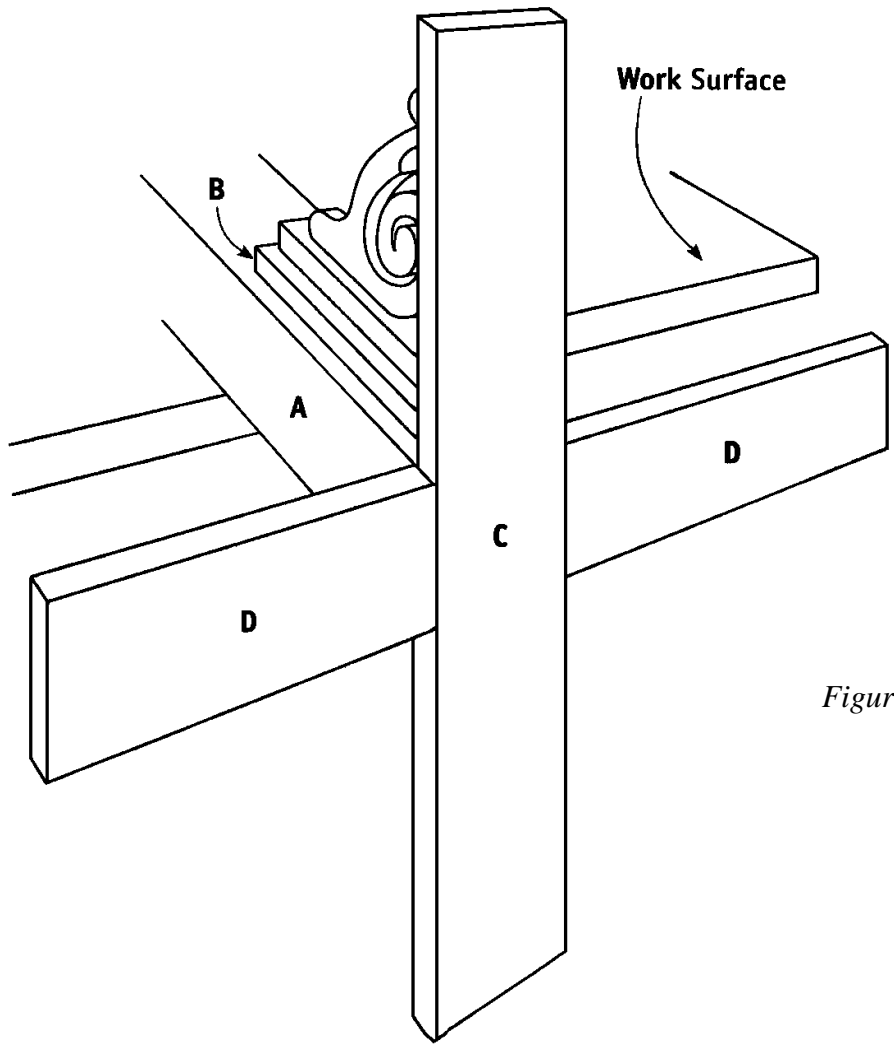


Figure 2

6. Repeat Steps 4 and 5 three times to attach the remaining Trims (B) and gingerbread brackets to the Post (A).
7. Cut one Long Base (C) from 1 x 4 pine, measuring 24 inches long.
8. Place the Post (A) on a flat surface, so that the Trims (B) overhang the work surface. Center the Long Base (C) over opposing 8-1/2-inch-long sides of the gingerbread brackets, as shown in *Figure 3*. Apply glue to the meeting surfaces, and nail through the Long Base (C) into the gingerbread brackets and the Post (A). Use four 1-1/4" nails on each joint.
9. Cut two Short Bases (D) from 1 x 4 pine, each measuring 10-1/4 inches long.
10. Center one Short Base (D) over one of the remaining gingerbread brackets, perpendicular to the Long Base, as shown in *Figure 3*. Apply glue to the meeting surfaces, and nail through the Short Base (D) into the brackets using four 1-1/4" nails.
11. Repeat Step 10 to attach the remaining Short Base (D) over the remaining gingerbread brackets.



*Figure 3*

***Finishing***

1. Mark the center top of the Post (A) and screw in a fencepost finial.
2. Fill all remaining nail holes, cracks, and crevices with wood filler.
3. Sand all parts of the coat rack that remain unsanded.
4. Stain or paint your box the color of your choice. We first painted the coat rack white, and

then decorated separate parts with different designs using a paint pen.

5. Install four coat hooks--one on each flat side of the top of the coat rack, and hang your hat!



**Enjoy other indoor and outdoor projects  
from [www.wowimadeit.com](http://www.wowimadeit.com)!**



After your friends and neighbors have hung their hats inside, invite them to your see your new backyard projects! They'll love your creativity!