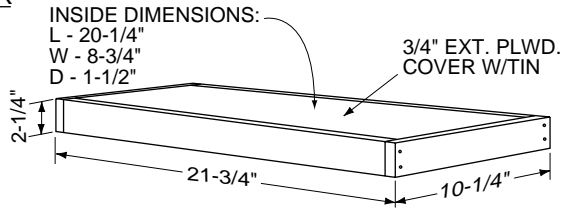


5-FRAME LANGSTROTH NUCLEUS HIVE

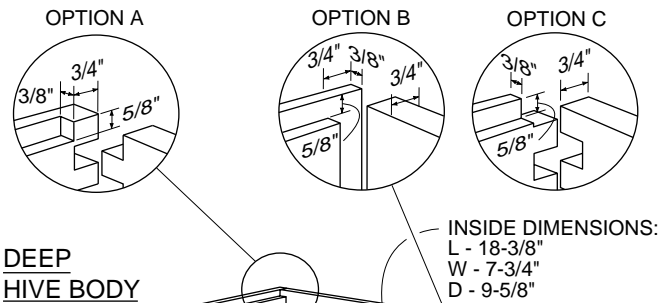
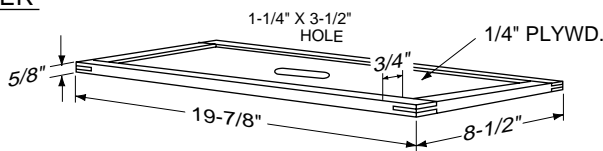
CONSTRUCTION DETAILS FOR 3/4" THICK LUMBER

Refer to '10-Frame Langstroth Beehive' and 'How to Make a Box Joint' plans for details on construction.

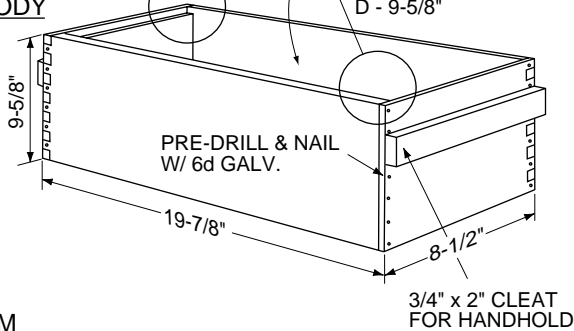
OUTER COVER



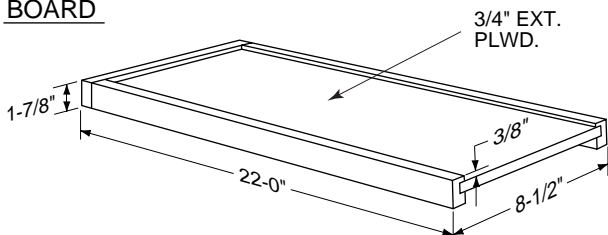
INNER COVER



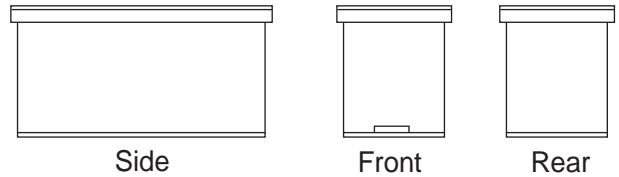
DEEP HIVE BODY



BOTTOM BOARD

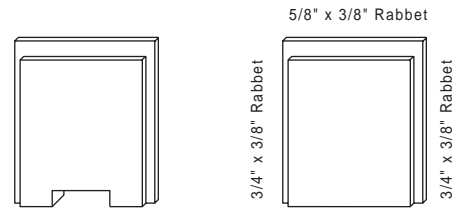


The Yankee Beekeeper's Five Frame Nuc Box



THE HIVE BODY

The front and rear panels are 9" x 10-3/8". Both panels have a 3/4" x 3/8" rabbet down each side and a 5/8" x 3/8" rabbet across the top edge. The front panel has a 3/4" x 3" cut out centered on the bottom edge.

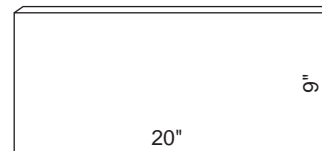


The two side panels are 19-1/4" by 10-3/8".



HIVE BOTTOM AND INNER COVER

Both the hive bottom and inner cover are 20" x 9". Both are made out of 3/8" or 1/2" plywood. The bottom is nailed directly onto the hive body.



TOP COVER

The top cover is made from 5 pieces. The stiles and rails are detailed below. The cover is made from either 3/8" or 1/2" plywood.

