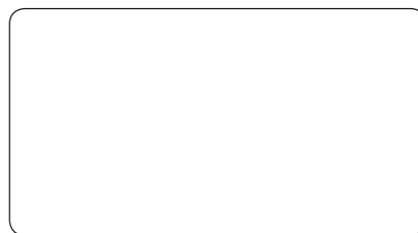
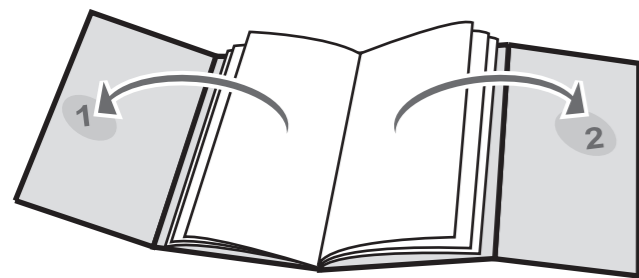




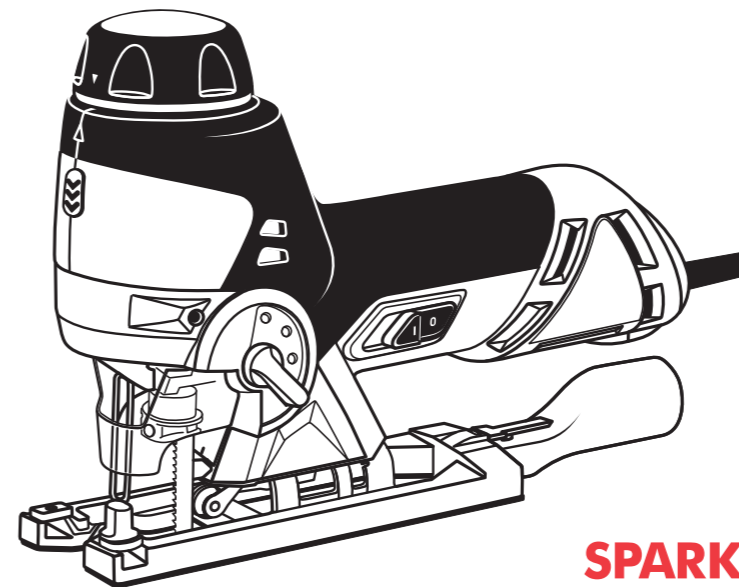
**POWER
TOOLS**



SPARKY

PROFESSIONAL

(EN)	SCROLLING PENDULUM ACTION JIGSAW WITH LASER LINE GENERATOR	1 – 7
	Instruction manual	
(FR)	SCIE EN ACTION PENDULAIRE AVEC UN FAISCEAU LASER	8 – 14
	Instructions d'utilisation	
(RU)	ЛОБЗИК С МАЯТНИКОВЫМ ХОДОМ И ЛАЗЕРОМ	15 – 21
	Инструкция по эксплуатации	
(BG)	НОЖОВ ТРИОН С МАХАЛОВИДНО ДЕЙСТВИЕ И НАСОЧВАЩ ЛАЗЕР	22 – 29
	Инструкция за експлоатация	



SPARKEYE®

710W

FSPE 85

© 2005 SPARKY



(EN) DECLARATION OF CONFORMITY

We declare under our sole responsibility that this product is in conformity with the provisions of the following directives and the corresponding harmonized standards:
73/23/EEC, 98/37/EC, 89/336/EEC, EN 60745-1, EN 60745-2-11, EN 60825-1, EN 55014-1, EN 55014-2, EN 61000-3-2, EN 61000-3-3.

(FR) DECLARATION DE CONFORMITE

Nous déclarons sous notre propre responsabilité que ce produit est conforme aux directives, respectivement les standards harmonisés:
73/23/EEC, 98/37/EC, 89/336/EEC, EN 60745-1, EN 60745-2-11, EN 60825-1, EN 55014-1, EN 55014-2, EN 61000-3-2, EN 61000-3-3.

(RU) ДЕКЛАРАЦИЯ О СООТВЕТСТВИИ

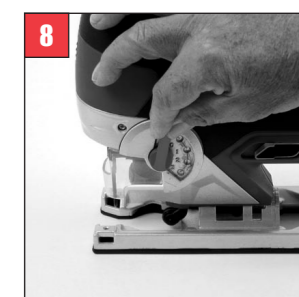
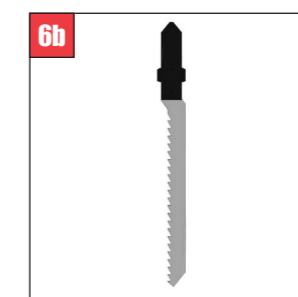
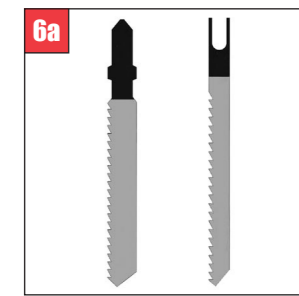
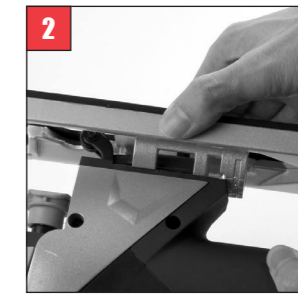
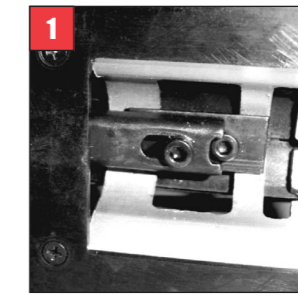
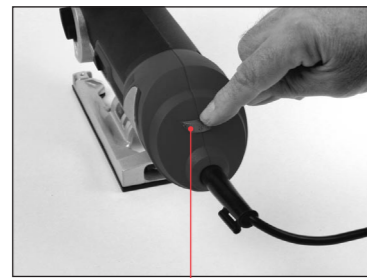
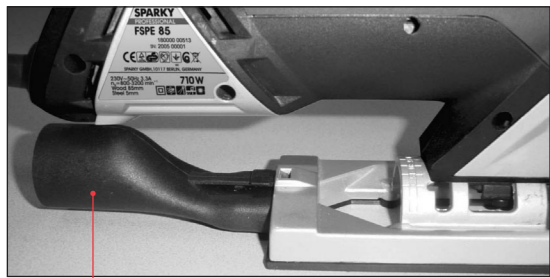
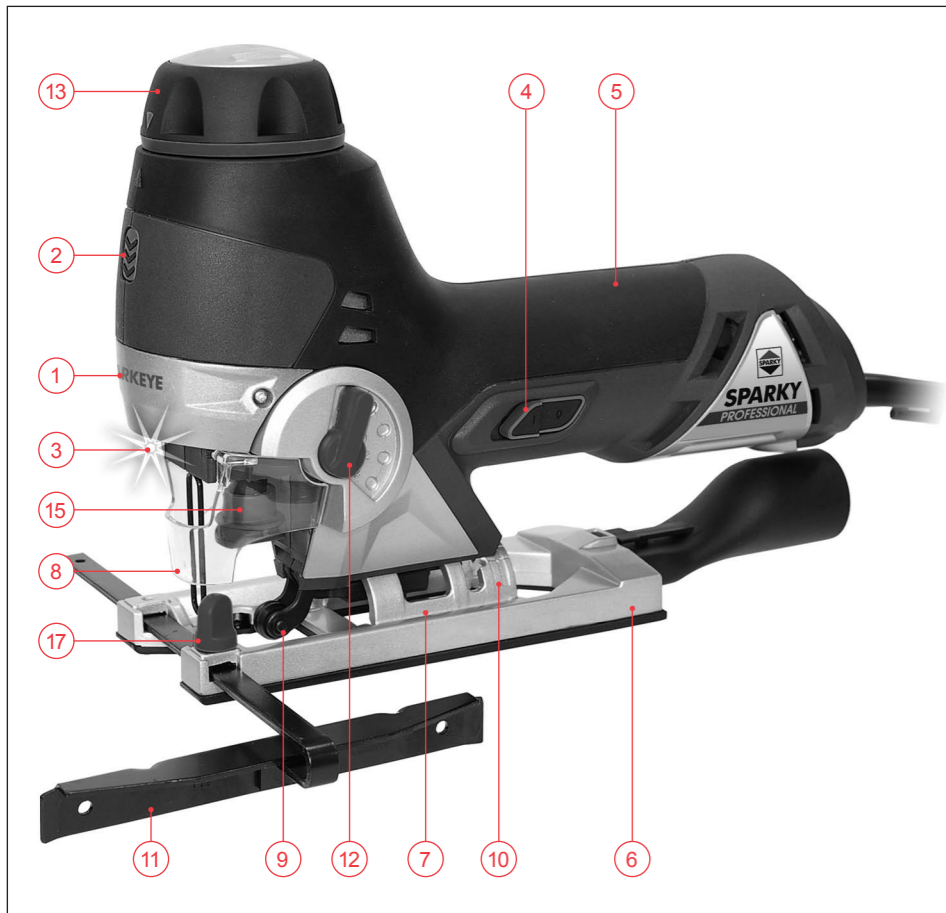
Мы заявляем нашу личную ответственность за соответствие данного изделия ниже перечисленным директивам и соответствующим унифицированным стандартам:
73/23/EEC, 98/37/EC, 89/336/EEC, EN 60745-1, EN 60745-2-11, EN 60825-1, EN 55014-1, EN 55014-2, EN 61000-3-2, EN 61000-3-3.

(BG) ДЕКЛАРАЦИЯ ЗА СЪОТВЕТСТВИЕ

Ние декларираме нашата лична отговорност, че това изделие е в съответствие с разпоредбите на следните директиви, съответно хармонизирани стандарти:
73/23/EEC, 98/37/EC, 89/336/EEC, EN 60745-1, EN 60745-2-11, EN 60825-1, EN 55014-1, EN 55014-2, EN 61000-3-2, EN 61000-3-3.

SPARKY GmbH
Leipziger Str. 20
10117 Berlin, DEUTSCHLAND
Geschäftsführer

Dipl.-Kfm., Dipl.-Ing. Stanislav Petkov



Contents

I - Introduction	1
II - Technical specifications	2
III - Safety rules for laser lights	2
IV - General safety instructions for electric power tools	2
V - Additional safety rules for jigsaws	3
VI - Know your product	A/4
VII - Operation	4
VIII - Maintenance	7
IX - Warranty	7

ACCESSORIES

Parallel guide; 6 blades; Dust extraction adaptor; Key for adjusting the bevel incline; Instruction manual.

UNPACKING

Due to modern mass production techniques, it is unlikely that your power tool is faulty or that a part is missing. If you find anything wrong, do not operate the tool until the parts have been replaced or the fault has been rectified. Failure to do so could result in serious personal injury.

ASSEMBLY

The SPARKY barrel jigsaw FSPE 85 is packed fully assembled except for the blade.

I - Introduction

Your new SPARKY power tool will more than satisfy your expectations. It has been manufactured under stringent SPARKY Quality Standards to meet superior performance criteria. You will find your new tool easy and safe to operate, and, with proper care, it will give you many years of dependable service.

CAUTION

Carefully read through this entire Instruction Manual before using your new SPARKY Power Tool. Take special care to heed the Cautions and Warnings. Your SPARKY power tool has many features that will make your job faster and easier. Safety, performance, and dependability have been given top priority in the development of this tool, making it easy to maintain and operate.

ENVIRONMENTAL PROTECTION



Recycle unwanted materials instead of disposing of them as waste. All tools, hoses and packaging should be sorted, taken to the local recycling centre and disposed of in an environmentally safe way.

DESCRIPTION OF SYMBOLS

The rating plate on your tool may show symbols. These represent important information about the product or instructions on its use.



Wear hearing protection.
Wear eye protection.
Wear respiratory protection.



Conforms to relevant safety standards.



Double insulated for additional protection.



View the corresponding image.

II - Technical specifications

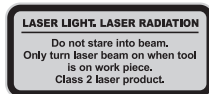
• Voltage:	230–240 V ~ 50 Hz
• Power input:	710 W
• No load speed:	800–3200 min ⁻¹
• Stroke length:	23 mm
• Cutting angle range:	0°–45°, left and right
• Cutting depth in:	
- Wood:	85 mm
- Steel:	5 mm
• Weight:	3 kg
• Laser class:	2
• Laser wavelength:	400–700 nm
• Laser output power:	≤1 mW

III - Safety rules for laser lights

The laser light/laser radiation used in the SPARKY SPARKEYE® system is Class 2 with maximum power ≤1 mW and 400–700 nm wavelength. These lasers do not normally present an optical hazard, although staring at the beam may cause flash blindness.

WARNING. Do not stare directly at the laser beam. A hazard may exist if you deliberately stare into the beam, please observe all safety rules as follows:

- The laser shall be used and maintained in accordance with the manufacturer's instructions.
- Never aim the beam at any person or an object other than the work piece.



- The laser beam shall not be deliberately aimed at personnel and shall be prevented from being directed towards the eye of a person.
- Always ensure the laser beam is aimed at a sturdy work piece without reflective surfaces i.e. wood or rough coated surfaces are acceptable. Bright shiny reflective sheet steel or the like is not suitable for laser use as the reflective surface could direct the beam back at the operator.
- Do not change the laser light assembly with a different type. Repairs must only be carried out by the laser manufacturer or an authorized agent.

CAUTION! Use of controls or adjustments or performance of procedures other than those specified herein may result in hazardous radiation exposure.

IV - Safety instructions

WARNING. Read and understand all instructions. Failure to follow all instructions listed below may result in electric shock, fire and/or serious injury. The term “power tool” in all of the warnings below refers to your mains-operated (corded) power tool or battery-operated (cordless) power tool.

Save these instructions!

WORK AREA

- Keep work area clean and well lit. Cluttered and dark areas invite accidents.
- Do not operate power tools in explosive atmospheres, such as in the presence of flammable liquids, gases, or dust. Power tools create sparks which may ignite the dust or fumes.
- Keep children and bystanders away while operating a power tool. Distractions can cause you to lose control.

ELECTRICAL SAFETY

- Power tool plugs must match the outlet. Never modify the plug in any way. Do not use any adapter plugs with earthed (grounded) power tools. Unmodified plugs and matching outlets will reduce risk of electric shock.
- Avoid body contact with earthed or grounded surfaces such as pipes, radiators, ranges and refrigerators. There is an increased risk of electric shock if your body is earthed or grounded.
- Do not expose power tools to rain or wet conditions. Water entering a power tool will increase the risk of electric shock.
- Do not abuse the cord. Never use the cord for carrying, pulling or unplugging the power tool. Keep cord away from heat, oil, sharp edges or moving parts. Damaged or entangled cords increase the risk of electric shock.
- When operating a power tool outdoors, use an outdoor extension cord suitable for outdoor use. Use of a cord suitable for outdoor use reduces the risk of electric shock.

PERSONAL SAFETY

- Stay alert, watch what you are doing and use common sense when operating a power tool. Do not use a power tool while you are tired or

under the influence of drugs, alcohol, or medication. A moment of inattention while operating power tools may result in serious personal injury.

- Use safety equipment. Always wear eye protection. Safety equipment such as a dust mask, non-skid safety shoes, hard hat, or hearing protection used for appropriate conditions will reduce personal injuries.
- Avoid accidental starting. Ensure the switch is in the off-position before plugging in. Carrying power tools with your finger on the switch or plugging in power tools that have the switch on invites accidents.
- Remove any adjusting key or wrench before turning the tool on. A wrench or a key that is left attached to a rotating part of the power tool may result in personal injury.
- Do not overreach. Keep proper footing and balance at all times. This enables better control of the power tool in unexpected situations.
- Dress properly. Do not wear loose clothing or jewellery. Keep your hair, clothing and gloves away from moving parts. Loose clothes, jewellery or long hair can be caught in moving parts.
- If devices are provided for the connection of dust extraction and collection facilities ensure that these are connected and properly used. Use of these devices can reduce dust related hazards.

POWER TOOL USE AND CARE

- Do not force the power tool. Use the correct power tool for your application. The correct power tool will do the job better and safer at the rate for which it was designed.
- Do not use the power tool if the switch does not turn it on and off. Any power tool that cannot be controlled with the switch is dangerous and must be repaired.
- Disconnect the plug from the power source before making any adjustments, changing accessories, or storing power tools. Such preventive safety measures reduce the risk of starting the power tool accidentally.
- Store idle power tools out of the reach of children and do not allow persons unfamiliar with the power tool or these instructions to operate the power tool. Power tools are dangerous in the hands of untrained users.
- Maintain power tools. Check for misalignment or binding of moving parts, breakage of parts and any other condition that may affect the power tool's operation. If damaged, have the power tool repaired before use. Many accidents

- are caused by poorly maintained power tools.
- Keep cutting tools sharp and clean. Properly maintained cutting tools with sharp cutting edges are less likely to bind and are easier to control.
- Use the power tool, accessories and tool bits etc., in accordance with these instructions and in the manner intended for the particular type of power tool, taking into account the working conditions and the work to be performed. Use of the power tool for operations different from intended could result in a hazardous situation.

SERVICE

- Have your power tool serviced by a qualified repair personnel using only identical replacement parts. This will ensure that the safety of the power tool is maintained.

V - Additional safety rules for jigsaws

WARNINGS. Before connecting a tool to a power source (mains switch power point receptacle, outlet, etc.) be sure that the voltage supply is the same as that specified on the nameplate of the tool. A power source with a voltage greater than that specified for the tool can result in serious injury to the user, as well as damage to the tool. If in doubt, do not plug in the tool. Using a power source with a voltage less than the nameplate rating is harmful to the motor.

Your tool is double insulated for additional protection against a possible electrical insulation failure within the tool.

Always remove the plug from the mains socket before making any adjustments or maintenance, including changing the blade.

- Ensure that the lighting is adequate.
- Do not use the saw unless the guards are in place.
- Keep the shoe flat on the work piece.
- Do not put pressure on the saw, such that it slows the motor down. Allow the saw blade to cut without pressure. You will get better results and you will be taking better care of your tool.
- Keep the area free of tripping hazards.
- Do not let anyone under 18 years operate this jigsaw.
- Only use blades in good condition.
- Before cutting, check that there is sufficient clearance for the blade under the work piece.
- Do not touch the blade after operation. It will be

very hot.

- Keep your hands away from under the work piece.
- Never use your hands to remove sawdust, chips or waste close by the blade.
- Rags, cloths, cord, string and the like should never be left around the work area.
- Avoid cutting nails. Inspect the work piece and remove all nails and other foreign objects before beginning sawing.
- Support the work properly.
- Never reach over the blade to remove waste or off cuts.
- Do not attempt to free a jammed blade before first switching off the machine.
- If you are interrupted when operating the saw, complete the process and switch off before looking up.
- Periodically check that all nuts, bolts and other fixings are properly tightened.
- Do not store materials or equipment above a machine in such a way that they could fall into it.
- Always hold the saw on parts that are insulated. If you accidentally cut into hidden wiring or the saw's own cable, the metal parts of the saw will become 'live'.
- Do not secure the jigsaw upside down in a vice or work bench and use it as a saw bench. This can lead to serious injury.
- When using the jigsaw, use safety equipment including safety goggles or shield, ear defenders, dust mask and protective clothing including safety gloves.

VI - Know your product

Before using the jigsaw, familiarize yourself with all the operating features and safety requirements. Use the tool and accessories only for the applications intended. All other applications are expressly ruled out.

1. Laser light assembly
2. Laser light on/off switch
3. Laser aperture
4. Jigsaw on/off switch
5. Soft grip handle
6. Shoe plate
7. Shoe bracket
8. Blade guard
9. Blade guide
10. Cutting angle scale
11. Parallel guide

12. Pendulum lever
13. Scrolling control
14. Variable speed control
15. Tool-free blade change control
16. Dust extraction adaptor
17. Parallel guide fixing screw location

VII - Operation

ADJUSTING THE SHOE FOR ANGULAR CUTTING

WARNING. Always ensure the tool is switched off and the plug is removed before making any adjustments or maintenance procedures.

1. To adjust the angle of cutting, first turn the jigsaw upside down. Loosen the hex screw securing the blade guide assembly using the hex key provided.
2. Next, loosen the hex screw securing the shoe plate (6) using the same hex key. **1**
3. Move the shoe plate slightly forward. It can now be tilted to set the required angle between 0° and 45° using the scale marked on the shoe bracket (10). **2**
4. Next slide the shoe plate (6) until the blade guide (9) rests against the back edge of the blade. **3**
5. Finally, retighten the hex screw. For accurate work it is necessary to make a trial cut, measure the work and reset the angle until the correct setting is achieved.

CAUTION! The blade guide (9) supports the blade when cutting and must at all times rest against the back edge of the blade except when in scrolling mode. It should rotate freely.

SWITCHING THE JIGSAW ON/OFF

1. Push the on/off switch (4) forward and up over the latching ramp to lock the switch on. **4**
2. To turn off the tool, press the back of the switch and lift it over the latching ramp.

CAUTION! Allow the blade to come to a complete standstill before setting the jigsaw down.

ADJUSTING THE CUTTING SPEED

The variable speed feature of this jigsaw enhances the cutting performance and saves the blade from undue wear.

1. The variable speed control (14) is used to programme the speed of the blade. The speed should be adapted to the material being cut. **5**

2. Use your finger or thumb to turn the dial forwards to increase the speed and backwards to decrease. Position "1" denotes the lowest speed. Position "6" denotes the highest speed.
3. Determine the optimum speed by making a trial cut in a scrap piece of material.

NOTE. Using the correct speed for the job increases the life of the blade.

SCROLLING CONTROL

Jig saw can be used with T-shank blades or U-shank blades pictures **6a**. This is one of many advantages of the used mechanism for fast change of the blades.

NOTE. To use the jigsaw in scrolling mode requires a blade specifically designed for curve cutting. **6b**

1. The scrolling feature allows the blade to be rotated 360°. It is ideal for curved cutting and detailed work. To enable scrolling function, first ensure the pendulum lever (12) is in the "S" position.

NOTE. The scrolling feature will not operate if the lever is positioned at "0, 1, 2 or 3".

2. Next, disengage the blade guide roller by moving away from the blade to allow the blade to rotate when in scrolling mode. First ensure the plug is removed from the power socket, turn the jigsaw upside down, loosen the hex screw with the hex key provided and push the blade guide roller (9) away from the blade as far as it will go. Retighten the hex screw.
3. With one hand firmly on the soft grip handle, place your other hand on the scrolling control knob and rotate. The control can be rotated 360° to the left or right whilst operating the jigsaw to enable intricate and curved cuts.
4. To disengage the scroll function to enable standard or pendulum action, first rotate the scrolling control (13) back to the 0° position which is indicated by the arrow on the top of the scrolling control being aligned with the arrow on the housing. **7**
5. Next, re-engage the blade guide roller by loosening the hex screw with the hex key provided and pushing the blade guide forward as far as it will go to ensure there is adequate
6. Support for the blade. Re-tighten the hex screw. The pendulum lever (12) can now be moved to the required position for straight standard or pendulum cutting.

PENDULUM ADJUSTMENT

1. The pendulum lever (12) has 5 positions. The first

position "S" is used to engage the scrolling action. **8**

2. The second position "0" selects normal cutting without pendulum action.
3. The next three positions "1, 2 & 3" cause the blade to swing slightly backwards and forwards as it cuts. This pendulum action increases the efficiency of cutting.
4. Set the pendulum lever (12) to one of the three settings "1, 2 or 3" according to degree of pendulum action required. Experiment on a piece of scrap material to determine the optimum pendulum action setting for the material of the work piece.

MAKING A CUT

1. Switch on the jigsaw and allow the blade to reach maximum speed.
2. Slowly guide the jigsaw forward using both hands, keeping the shoe plate flat against the work piece.
3. Do not force the jigsaw.

NOTE. Use only enough pressure to keep the blade cutting. Do not force the cutting, allow the blade and the saw to do the work.

POCKET & ROUND CUTTING

1. When starting a cut from the centre of a work piece, drill a 12 mm diameter hole to ensure that there is clearance for the blade.
2. When cutting tight curves, reduce the speed of the saw.

WARNING. Do not move the saw forward along its cut until the blade has completely entered the material and the shoe comes to rest on its surface.

CUTTING METAL

1. When cutting metals, a suitable cooling/cutting oil must be used.
2. Squir the lubricant onto the blade or work piece at regular intervals during cutting in order to reduce wear of the blade.

FITTING THE PARALLEL GUIDE

The parallel guide (11) fits into the shoe plate (6) and is locked in place with the locking knob. It is used to guide the jigsaw along a straight line which can be an edge of the work piece or a piece of straight timber clamped to the work piece. By changing the position of the guide and using the same straight edge as a guide, it is possible to quickly and easily make parallel cuts in the work piece.

1. Push the parallel guide (11) into the slot in the shoeplate. (6)
2. Adjust the guide to the required position and lock it in place with the locking knob at location (17).

BLADE GUARD

The blade guard (8) should always be in place when the jigsaw is in use.

1. The blade guide (9) is spring loaded. Depending on the position of the pendulum lever (12), the guide remains stationary (non-pendulum) or oscillates backwards and forwards, causing the blade to cut with a pendulum action.

CHANGING A BLADE

WARNING. Always ensure that the saw is switched off and plug is removed from the power point before making any adjustments.

Removing the blade

1. Place your finger on the lower edge of the clear front blade guard (8) and pull forward. The front guard hinges forward and upwards to allow access to the blade. **9**
2. Push the tool free blade change control (15) upwards towards the top of the unit ensuring that your fingers do not contact the teeth of the jigsaw blade.
3. Whilst the tool-free blade change control (15) is in its uppermost position the blade to be replaced is free and can be easily removed by pulling downwards towards the base of the unit.

Refitting a new blade

1. Ensure the blade change control (15) is in its uppermost position, slide the new blade into the locating groove in the blade clamp with the teeth pointing forward, ensuring that the blade rear edge is located and supported by the blade guide (9). **10 11**
2. Release the blade change control and the blade will secure firmly in place.
3. Reposition the clear front blade guard.
4. Replace the plug and run the jigsaw under no load to check that it runs smoothly and the blade is secure before using it to cut any materials.

DUST EXTRACTION ADAPTOR

The dust extraction adaptor (16) allows a dust extraction system or a household vacuum cleaner to be connected to the tool in order to remove dust whilst the tool is in use.

WARNING. Do not use a dust extraction system or a vacuum cleaner when cutting metal. Sparks may ignite residual wood dust.

USING THE SPARKEYE® LASER LINE SYSTEM

WARNINGS. Do not stare directly at the laser beam.

Never aim the beam at any person or an object other than the work piece.

Do not deliberately aim the beam at personnel and ensure that it is not directed towards the eye of a person.

Always ensure the laser beam is aimed at a sturdy work piece without reflective surfaces i.e. wood or rough coated surfaces are acceptable.

Bright shiny reflective sheet steel or the like is not suitable for laser use as the reflective surface could direct the beam back at the operator. Only turn laser beam on when tool is on work piece.

1. Mark the line of the cut on the work piece.
2. Adjust the bevel angle of cut as required.
3. Plug in the machine and start the motor.
4. When the blade is at its maximum speed (approximately 2 seconds), place the saw on the work piece.
5. Switch on the laser beam using the switch (2).
6. Align the beam with the mark on the work piece and slowly push the saw forward using both hands, keeping the red light beam on the mark.
7. Switch off the laser beam on completion of the cut.

The laser light is powered from a transformer housed within the assembly (1). The SPARKEYE® laser line can be used for improved operator cutting vision, accuracy of cut, faster set-up and increased safety of operation.

The laser beam can be switched on and off using the switch (2).

VIII - Maintenance

WARNING. Always ensure that the tool is switched off and the plug is removed from the power point before making any adjustments or maintenance procedures.

CLEANING

- Keep the tool's air vents unclogged and clean at all times.
- Remove dust and dirt regularly. Cleaning is best done with a rag.
- Re-lubricate all moving parts at regular intervals.
- Never use caustic agents to clean plastic parts.

CAUTION! Do not use cleaning agents to clean the plastic parts of the tool. A mild detergent on a damp cloth is recommended. Water must never come into contact with the tool.

GENERAL INSPECTION

Regularly check that all the fixing screws are tight. They may vibrate loose over time.

POWER CORD MAINTENANCE

If the supply cord needs replacing, the task must be carried out by the manufacturer, the manufacturer's agent, or an authorised service centre in order to avoid a safety hazard.

IX - Warranty

The guarantee period for SPARKY power tools is determined in the guarantee card. Faults due to normal wear, overloading or improper handling will be excluded from the guarantee. Faults due to defective materials implemented as well as defects in workmanship will be corrected free of charge through replacement or repair.

The complaints for defective SPARKY power tools will be recognized if the machine is sent back to the dealer or is presented to the authorized warranty service centre dismantled, in its initial condition.

CAUTION! Do not use cleaning agents to clean the plastic parts of the tool. A mild detergent on a damp cloth is recommended. Water must never come into contact with the tool.

GENERAL INSPECTION

Regularly check that all the fixing screws are tight. They may vibrate loose over time.

POWER CORD MAINTENANCE

If the supply cord needs replacing, the task must be carried out by the manufacturer, the manufacturer's agent, or an authorised service centre in order to avoid a safety hazard.

Notes

Carefully read the entire Instruction Manual before using this product.

With continuing product development changes may have occurred which render the product received slightly different to that shown in this instruction manual. The manufacturer reserves the right to change specifications without notice.

Specifications may differ from country to country.

Sommaire

I - Introduction	8
II - Caractéristiques techniques	9
III - Règles de sécurité spécifiques pour faisceau laser	9
IV - Instructions de sécurité générales pour les outillages électriques	9
V - Règles de sécurité additionnelles pour les scies sauteuses	11
VI - Nomenclature	A/11
VII - Utilisation	12
VIII - Entretien	14
IX - Garantie	14

ACCESSOIRES

Guide parallèle; 6 lames; Adaptateur d'extraction des poussières; Clé six pans mâle pour réglage de l'angle de coupe; Instructions d'utilisation.

DEBALLAGE

Grâce aux techniques modernes de fabrication, il est improbable que votre outil soit défectueux ou qu'une pièce soit manquante. Si toutefois vous trouvez une anomalie, n'utilisez pas l'outil avant que les pièces aient été remplacées ou le défaut corrigé. Ne pas observer cette règle pourrait causer des blessures graves.

MONTAGE

La scie sauteuse FSPE 85 est emballée complètement montée, excepté la lame.

I - Introduction

Votre nouvel instrument a été conçu et produit selon tous les standards de qualité pour répondre aux exigences les plus élevées. Son exploitation est facile et sécurisée. Et avec une utilisation correcte il vous servira longtemps.

ATTENTION

Lire attentivement les instructions avant d'utiliser votre nouvel outil. Prêter attention aux sections «Avertissement» et «Attention». Votre outil électrique possède des caractéristiques qui facilitent votre travail. Cet instrument a été conçu et produit selon toutes les exigences de sécurité pour que son usage et son entretien soient faciles.

PROTECTION DE L'ENVIRONNEMENT



Les déchets de produits électriques ne doivent pas être mis au rebut avec les ordures ménagères. Veuillez les faire recycler là où il existe des centres pour cela. Consultez les autorités locales ou votre revendeur sur la façon de recycler.

LES SYMBOLES

Représentés sur le produit ont une signification importante pour l'utilisation en toute sécurité du produit.



Portez des équipements de protection adaptés: lunettes de protection, casque anti-bruit et masque anti-poussière.



Conformité aux normes de sécurité appropriées.



Double isolation pour une protection supplémentaire.



Voir l'image correspondante.

II - Caractéristiques techniques

• Tension nominale:	230–240 V ~ 50 Hz
• Puissance nominale:	710 W
• Vitesse à vide de la lame:	800–3200 min ⁻¹
• Course:	23 mm
• Plage d'angle de coupe:	0°–45°
• Profondeur de coupe dans:	
- Bois:	85 mm
- Acier:	5 mm
• Poids:	3 kg
• Classe du faisceau laser:	2
• Longueur d'onde:	400–700 nm
• Puissance max:	≤1 mW

III - Règles de sécurité spécifiques pour faisceau laser

La radiation utilisée dans ce système est de Classe 2 avec une puissance maximum de 1 mW, elle est caractérisée par des longueurs d'onde de 400–700 nm. Ces lasers ne présentent aucun danger en utilisation normale, cependant regarder directement le rayon peut provoquer un aveuglement momentané.

AVERTISSEMENT. Ne regardez pas directement le faisceau laser. Il y a un danger si vous fixez volontairement dans l'axe le rayon. Il vous est demandé de suivre ces mesures de sécurité:

- Le laser doit être utilisé et entretenu en conformité avec les instructions du constructeur, et son dépannage ne doit être entrepris que par des techniciens qualifiés.
- Ne dirigez jamais le faisceau laser vers une personne ou un objet autre que la pièce à usiner.



- Le faisceau laser ne doit pas être dirigé délibérément vers des personnes, et il est important de prendre toutes les précautions pour éviter qu'il ne soit dirigé vers les yeux de personnes dans le voisinage.
- Assurez-vous toujours que le faisceau laser est dirigé sur une robuste pièce à usiner sans surfaces réfléchissantes. Par exemple du bois ou des surfaces rugueuses sont adaptés. Une plaque de tôle qui réfléchit, ou d'autres matériaux

similaires, ne conviennent pas car la réflexion du faisceau laser sur leur surface peut revenir directement vers l'opérateur.

- Ne remplacer pas le laser d'origine avec un modèle différent. Les réparations doivent être effectuées uniquement par le producteur ou bien dans les services spécialisés.

ATTENTION! L'utilisation des contrôles, réglages ou procédures d'utilisation autres que celles spécifiées ici peut entraîner une exposition dangereuse au rayonnement.

IV - Règles de sécurité générales

AVERTISSEMENT. Lire et assimiler toutes ces instructions avant d'utiliser votre outil. Le non respect de ces instructions qui suivent peut entraîner une commotion électrique, un début d'incendie et/ou des blessures sérieuses. Le terme «outil électrique» dans tous les avertissements concerne votre outil fonctionnant sur le secteur (avec cordon).

Conservé ces instructions!

AIRE DE TRAVAIL

- Garder l'aire de travail propre et bien éclairée. Des aires encombrées et sombres favorisent les accidents.
- Ne pas faire fonctionner les outils électriques en atmosphères explosives, comme en présence de liquides, gaz ou poussières inflammables. Les outils électriques créent des étincelles qui peuvent enflammer la poussière ou les fumées.
- Ne pas laisser des personnes, spécialement les enfants, non concernées par le travail, toucher l'outil, le câble d'alimentation ou la rallonge, et les garder éloignées de l'aire de travail.

SECURITE ELECTRIQUE

- La fiche d'alimentation des outils électriques doit correspondre à la prise secteur. Ne jamais modifier en aucune façon la fiche. Ne pas utiliser de prises d'adaptation avec des outils électriques reliés à la terre. Les fiches d'origine dans des prises correspondantes réduisent les risques d'électrocution.
- Éviter le contact du corps avec des surfaces reliées à la terre ou à la masse, comme les tuyaux, radiateurs, cuisinières ou réfrigérateurs. Il y a un risque accru de commotion électrique

si le corps est à la terre ou à la masse.

- Ne pas exposer les outils électriques à la pluie ou en conditions humides. De l'eau pénétrant dans un outil électrique augmente le risque d'électrocution.
- Ne pas utiliser le câble d'alimentation pour soulever l'outil. Ne pas tirer dessus pour l'enlever de la prise de courant. Maintenir le câble éloigné des sources de chaleur, des parties grasses et des arrêtes tranchantes.
- Quand l'outil est utilisé à l'extérieur, n'utiliser qu'une rallonge conçue pour une utilisation en extérieur.

SECURITE PERSONNELLE

- Rester vigilant, surveiller ce que l'on fait et faire preuve de bon sens en utilisant un outil électrique. Ne pas utiliser d'outil électrique en cas de fatigue ou sous l'influence de drogues, d'alcool ou de médicaments. Un moment d'inattention dans l'utilisation d'outils électriques peut entraîner des blessures corporelles graves.
- Utiliser un équipement de sécurité. Porter en permanence une protection oculaire. Les équipements de sécurité, comme masque anti-poussières, chaussures de sécurité antidérapantes, casque, ou protections d'oreilles utilisés dans de bonnes conditions réduisent les risques de blessures corporelles.
- Éviter les démarrages intempestifs. S'assurer que l'interrupteur est bien en position d'arrêt avant de brancher l'outil. Ne pas transporter un outil électrique en gardant le doigt sur l'interrupteur.
- Retirer toute clé ou outil de réglage avant de mettre l'outil en marche. Une clé ou un outil qui reste fixé sur une pièce en rotation peut entraîner des blessures.
- Ne pas se pencher à l'excès. Garder en permanence une position stable et un bon équilibre. Cela permet de mieux contrôler l'outil dans les situations inattendues.
- S'habiller correctement. Ne pas porter des vêtements amples ou des bijoux, ils peuvent être happés par des parties en mouvement. Des gants de caoutchouc et des chaussures antidérapantes sont recommandés pour des travaux extérieurs. Porter une coiffe de protection pour maintenir les cheveux longs.
- Si des dispositifs sont prévus pour le raccordement d'équipements d'extraction et de collecte de poussière, s'assurer qu'ils sont bien branchés et correctement utilisés. L'utilisation de tels dispositifs peut réduire les risques relatifs à la poussière.

UTILISATION ET ENTRETIEN DE L'OUTIL ELECTRIQUE

- Ne pas forcer sur l'outil électrique. Utiliser l'outil de puissance appropriée pour l'application. L'outil adéquat accomplira mieux la tâche et avec plus de sûreté en fonctionnant au rythme pour lequel il a été conçu.
- Ne pas utiliser l'outil électrique si son interrupteur ne permet pas la marche ou l'arrêt. Tout outil qui ne peut pas être contrôlé par son interrupteur est dangereux et doit être réparé.
- Débrancher la fiche de la prise secteur avant de faire tout réglage, de changer des accessoires ou de stocker l'outil. De telles mesures préventives réduisent le risque de faire démarrer accidentellement l'outil électrique.
- Ranger l'outil en état de repos. Il est recommandé de ranger l'outil dans un local sec, de le placer hors de portée des enfants, soit en hauteur, soit sous clef.
- Vérifier les pièces endommagées. Avant de réutiliser l'outil, il est recommandé de vérifier soigneusement un protecteur endommagé, ou une autre partie, pour déterminer s'il peut fonctionner correctement et remplir sa fonction. Vérifier l'alignement des pièces, en mouvement, leur mouvement libre, la rupture de pièces, le montage et toutes les autres conditions qui peuvent affecter le fonctionnement de l'outil. Sauf indications contraires dans les instructions, il est recommandé de faire réparer correctement ou remplacer, par un service agréé, un protecteur ou toute autre pièce endommagée. Les interrupteurs défectueux doivent être remplacés par un service agréé.
- Maintenir l'outil propre pour une meilleure et plus sûre performance. Suivre les instructions pour la lubrification et le changement d'accessoires. Vérifier périodiquement les rallonges de câble d'alimentation et les remplacer si elles sont endommagées. Maintenir les poignées sèches, propres et exemptes de graisse.
- Utiliser l'outil électrique, ses accessoires et options, etc., en conformité avec ces instructions, et de la façon prévue pour chaque outil spécifiquement, en tenant compte des conditions de travail et de la tâche à accomplir. L'utilisation d'outils électriques à des fins différentes de celles prévues peut conduire à une situation dangereuse.

DEPANNAGE

- Les interventions sur votre outil électrique doivent être faites par un personnel de réparation qualifié utilisant uniquement des pièces de re-

change identiques. Cela assure le maintien de la sécurité pour l'outil électrique.

V - Règles de sécurité complémentaires pour les scies sauteuses

AVERTISSEMENT. Avant de connecter un outil sur une source d'alimentation (prise électrique après interrupteur secteur, prise de courant, etc.) s'assurer que la tension fournie est la même que celle spécifiée sur la plaque signalétique de l'outil. Une source d'alimentation avec une tension plus élevée que la spécification pour l'outil peut entraîner des dommages corporels graves pour l'utilisateur ainsi que des dommages matériels pour l'outil. En cas de doute ne pas brancher l'outil.

L'utilisation d'une source d'alimentation avec une tension inférieure à la spécification pour l'outil est dommageable pour le moteur.

Cet outil comporte une double isolation pour une protection additionnelle contre un défaut potentiel d'isolation électrique dans l'outil.

Toujours enlever la fiche de la prise secteur avant de faire des réglages ou de l'entretien, y compris pour changer la lame.

- Vérifier que l'éclairage est adéquat.
- Ne pas utiliser la scie si les protections ne sont pas en place.
- Garder le sabot bien à plat sur la pièce à couper.
- Ne pas appliquer de pression sur la scie au point de ralentir la vitesse du moteur. Laisser la lame de scie couper sans pression. Cela permet d'obtenir de meilleurs résultats et de prendre mieux soin de l'outil.
- Maintenir la zone libre de tout risques de trébuchement.
- Ne laisser personne de moins de 18 ans utiliser la scie sauteuse.
- N'utiliser que des lames en bonne condition.
- Avant de couper, vérifiez qu'il y a suffisamment d'espace pour la lame sous la pièce.
- Ne pas toucher la lame après l'opération. Elle peut être devenue très chaude.
- Garder les mains à l'écart de la pièce à couper.
- Ne jamais utiliser vos mains pour enlever la sciure, les copeaux ou les déchets près de la lame.
- Les chiffons, vêtements, cordons, ficelles et autres ne doivent jamais être laissés autour de

la zone de travail.

- Évitez de couper des clous. Inspecter la pièce à couper et retirer tous les clous et objets étrangers avant de commencer le sciage.
- Ne jamais passer par dessus la lame pour enlever des déchets ou des chutes de coupe.
- Ne pas essayer de libérer une lame bloquée avant d'avoir d'abord coupé la machine.
- En cas d'interruption durant l'utilisation de la scie, terminer ce qui est en cours puis l'éloigner avant de lever le regard.
- Vérifier périodiquement que tous les écrous, boulons et autres fixations sont bien serrés.
- Toujours poser la scie sur des pièces isolées. En cas de coupure accidentelle d'un câblage caché ou du cordon de la scie elle-même, les pièces métalliques de la scie peuvent être mises sous tension.
- Ne pas fixer la scie à l'envers sur un étau ou un établi pour l'utiliser comme un banc de sciage. Cela peut entraîner de sérieuses blessures.

VI - Nomenclature

Avant d'utiliser l'outil, étudiez toutes les caractéristiques de travail et règles de sécurité. N'utilisez l'outil et les accessoires que pour les usages prévus. Toute utilisation autre que la prévue est expressément interdite.

1. Émetteur laser
2. Commutateur m/a du faisceau laser
3. Fenêtre du laser
4. Interrupteur m/a de la scie sauteuse
5. Poignée à prise souple
6. Sabot
7. Patte du sabot
8. Protection de lame
9. Guide-lame
10. Échelle d'angle de coupe
11. Guide parallèle
12. Levier pendulaire
13. Contrôle d'orientation de lame
14. Cadran de variation de vitesse
15. Commande d'éjection de lame
16. Adaptateur d'extraction des poussières
17. Vis de fixation pour guide parallèle

VII - Utilisation

REGLAGE DE L'ANGLE DE COUPE

Toujours s'assurer que la scie a été arrêtée et que sa fiche secteur est débranchée avant de procéder à des réglages.

1. Pour changer l'angle de coupe, desserrer d'abord la vis à tête six pans creux située au dessous de l'outil à l'aide de la clé six pans mâle fournie à cet effet.
2. Déplacer ensuite le sabot (6) vers l'avant et l'incliner de l'angle souhaité entre 0° et 45° en se repérant sur la graduation de la patte du sabot (10). 1 2
3. Faire ensuite glisser le sabot (6) jusqu'à ce que le guide-lame (9) appuie sur le côté arrière de la lame. 3
4. Resserrer enfin la vis six pans creux. Pour du travail précis il faut réaliser des coupes d'essai, mesurer le résultat et retoucher l'angle jusqu'au réglage correct.

ATTENTION! Le guide-lame (9) retient la lame lors de la coupe et doit toujours être contre l'arrière de la lame. Il doit cependant tourner librement.

COMMUTATION MARCHE / ARRÊT

1. Poussez le commutateur marche/arrêt (4) vers l'avant et le haut par dessus la rampe de verrouillage pour le bloquer en position de marche. 4
2. Pour arrêter l'outil, appuyez sur l'arrière du commutateur et soulevez-le par dessus la rampe de verrouillage.

ATTENTION! Laisser la lame revenir à une immobilisation complète avant de poser la scie sauteuse.

REGLAGE DE LA VITESSE

La possibilité de vitesse variable de la scie sauteuse améliore la performance de coupe et limite l'usure de la lame.

1. Le cadran de contrôle électronique de vitesse (14) est utilisé pour programmer la vitesse de lame. Cette vitesse doit être adaptée au matériau à couper. 5
2. Utiliser votre pouce pour tourner la molette en avant pour augmenter la vitesse et en arrière pour la réduire. La position «1» correspond à la vitesse la plus lente. La position «6» correspond à la vitesse la plus élevée.
3. Déterminer la vitesse optimale en faisant une coupe d'essai dans une chute du matériau à traiter.

NOTE. L'utilisation de la bonne vitesse pour la tâche augmente la durée de vie de la lame.

CONTROLE DE DEFILEMENT

La scie sauteuse peut être utilisée avec des manches-U aussi qu'avec manches-T 6a. C'est un des nombreux avantages du mécanisme de remplacement rapide des lames.

NOTE. Pour couper des contours courbes utiliser une lame destinée spécialement à cette tâche.

1. La capacité d'orientation de la lame est de 360°. C'est idéal pour des coupes en courbes et des travaux de détail. Pour activer la fonction d'orientation, s'assurer d'abord que le levier pendulaire (9) est dans la position «S». 6b

NOTE. La lame ne peut pas être orientée si le levier est positionné en «0, 1, 2 ou 3».

2. Il est nécessaire de dégager le guide-lame en l'écartant de celle-ci pour qu'elle puisse tourner librement en mode orientation de lame. S'assurer que l'outil est débranché de l'alimentation secteur. Retourner l'outil et desserrer la vis à tête six pans creux avec la clé six pans mâle fournie. Dégager la roulette du guide-lame (9) de la lame et l'éloigner le plus possible et resserrer la vis à tête six pans creux.
3. Avec une main tenant fermement la poignée à prise souple, placer l'autre main sur le bouton de contrôle de l'orientation (13). Ce bouton peut être tourné de 360° vers la gauche ou 360° vers la droite tout en actionnant la scie sauteuse pour permettre la découpe de contours sinueux et courbes.
4. Pour désactiver la fonction d'orientation et revenir à la coupe standard ou avec action pendulaire, ramener d'abord le contrôle d'orientation (16) en position 0°, indiquée par l'alignement de la flèche sur le dessus du bouton de contrôle avec une ligne sur le carter. 7
5. Remettre ensuite en place le rouleau de guide-lame pour assurer un soutien adéquat de la lame.
6. Le sélecteur (12) peut maintenant être placé sur le réglage de vitesse voulu pour la coupe standard ou pendulaire.

REGLAGE DU LEVIER PENDULAIRE

1. Le levier pendulaire (12) possède 5 positions. La première position «S» sert uniquement pour orienter la lame. L'action pendulaire améliore l'efficacité de la coupe. 9
2. La position «0» permet la découpe normale sans action pendulaire.
3. Les trois positions suivantes «1, 2 et 3» font

osciller la lame légèrement d'avant en arrière pendant la coupe.

4. Mettre le levier pendulaire (12) sur l'une des trois positions «1, 2 ou 3» selon le degré d'action pendulaire recherché. Faire un essai sur une chute de matériau pour déterminer l'action pendulaire la plus efficace pour ce dernier.

EXECUTION D'UNE COUPE

1. Mettre la scie sauteuse en marche et laisser à la lame le temps d'atteindre sa vitesse maximum.
2. Guider lentement la scie sauteuse vers l'avant, en utilisant les deux mains, et en gardant le sabot à plat contre la pièce à couper.
3. Ne forcer pas sur la scie sauteuse.

NOTE. Exercer la pression juste suffisante pour que la lame continue de couper. Ne pas forcer sur la coupe, laisser la lame et la scie faire le travail.

COUPE D'EVIDEMENT ET DE CERCLE

1. Quand la coupe doit être démarrée au centre de la pièce, percer d'abord un trou de 12 mm de diamètre pour être sûr d'avoir assez de place pour y enfiler la lame.
2. Pour couper en suivant des courbes serrées, réduire la vitesse de la scie.

AVERTISSEMENT. Ne pas déplacer la scie sauteuse vers l'avant sur son chemin de coupe avant que la lame ne soit complètement entrée dans le matériau et que le sabot ne soit posé à plat sur la surface de la pièce.

COUPE DE METAL

1. Pour la coupe des métaux, il faut utiliser une huile de refroidissement/coupe convenable.
2. Injecter le lubrifiant sur la lame ou la pièce à couper à intervalles réguliers pendant la coupe de façon à réduire l'usure de la lame.

ADAPTATION DU GUIDE PARALLELE

Le guide parallèle (11) s'adapte dans le sabot (6) et se verrouille en place avec le bouton de verrouillage de guide parallèle. Il est utilisé pour guider la scie sauteuse le long d'une ligne droite, qui peut être un bord de la pièce à couper, ou un tasseau bien droit fixé sur la pièce. En changeant la position du guide et en utilisant le même bord de guidage, il est possible de réaliser rapidement et facilement des coupes parallèles dans la pièce.

PROTECTION DE LAME

La protection de lame (8) doit être à sa place toujours quand la scie est mise en marche.

1. Le guide-lame est mobile. D'après la position du levier pendulaire le guide-lame reste immobile ou fait des mouvements pendulaires.

CHANGEMENT DE LAME

AVERTISSEMENT. Toujours s'assurer que la scie a été arrêtée et que sa fiche secteur est débranchée avant de procéder à des réglages.

Enlèvement de lame

1. Placer un doigt sur le bord inférieur de la protection transparente avant de lame (8) et tirer vers l'avant. La protection avant pivote vers l'avant et le haut pour permettre l'accès à la lame. 9
2. Placer deux doigts sur les emplacements prévus sur la commande d'éjection de lame (15) et faire glisser vers le haut en direction du sommet de l'outil en vous assurant que vos doigts ne touchent pas les dents de la lame de scie.
3. Quand la commande d'éjection de lame (18) est dans sa position remontée la lame à remplacer est libérée, elle peut facilement s'enlever en la tirant vers le bas en direction du socle de l'outil.

Installation d'une nouvelle lame

1. S'assurer que la commande d'éjection de lame (15) est dans sa position relevée, puis glisser la nouvelle lame dans la rainure de positionnement de la fixation de lame, avec ses dents pointant vers l'avant. S'assurer que le bord arrière de la lame est bien placé et supporté par le guide-lame (9). 10 11
2. Relâcher la commande d'éjection de lame et la lame se verrouille solidement en place.
3. Remettre en position la protection avant transparente de lame.
4. Faire la scie marcher à vide pour s'assurer que la lame est bien verrouillée.

EXTRACTION DE LA POSSIERE

L'adaptateur (16) peut être utilisé pour brancher un aspirateur ménager à l'arrière de l'outil.

AVERTISSEMENT. Ne pas utiliser un système d'extraction de poussière ou un aspirateur pour couper du métal. Les étincelles peuvent enflammer les résidus de poussière de bois.

UTILISATION DU SYSTEME SPARKEYE® DE LIGNE LASER

AVERTISSEMENT. Ne pas regarder directement le faisceau laser.

Ne jamais diriger le faisceau vers une personne ou sur un objet autre que la pièce à usiner.

Ne pas viser volontairement des personnes avec

le faisceau et s'assurer qu'il n'est jamais dirigé vers les yeux d'une personne pendant plus d'un quart de seconde.

Toujours s'assurer que le faisceau est dirigé sur une robuste pièce à usiner sans surfaces réfléchissantes. Le bois ou des surfaces rugueuses sont acceptables. Les surfaces réfléchissantes claires et brillantes ne conviennent pas à l'utilisation du laser, car le faisceau peut être renvoyé directement en direction de l'opérateur.

N'activer le faisceau laser que lorsque l'outil est en place sur la pièce à usiner.

1. Marquer la ligne de coupe sur la pièce à usiner.
2. Régler l'angle de biseau de coupe selon le besoin.
3. Brancher la machine et démarrer le moteur.
4. Quand la lame a atteint sa vitesse maximale (environ 2 secondes) placer la scie sur la pièce à usiner.
5. Activer le faisceau laser en utilisant le commutateur (2).
6. Aligner le faisceau avec la marque sur la pièce à couper et pousser lentement la scie en avant en utilisant les deux mains, en gardant la lumière rouge sur la marque.
7. Désactiver le faisceau laser à la fin de la coupe.

VIII - Entretien

AVERTISSEMENT. Toujours s'assurer que la scie a été arrêtée et que sa fiche secteur est débranchée avant de procéder à des réglages.

1. Maintenez les orifices de ventilation de l'outil non obstrués et propres en permanence.
2. Vérifiez régulièrement qu'il n'y a pas de la poussière ou des matières étrangères qui auraient pénétré les grilles près du moteur et autour du commutateur d'actionnement. Utilisez une brosse souple pour éliminer toute poussière accumulée. Portez des lunettes de sécurité afin de protéger vos yeux durant ce nettoyage.
3. Lubrifiez à nouveau toutes les pièces mobiles à intervalles réguliers.
4. Si le corps de la scie a besoin d'être nettoyé, essuyez-le avec un linge doux humidifié. Un détergent doux peut être utilisé, mais jamais d'alcool, de pétrole ou d'autre agent de nettoyage.

ATTENTION! N'utilisez jamais d'agents caustiques pour nettoyer les pièces en plastique. De l'eau ne doit jamais entrer en contact avec l'outil.

ENTRETIEN DU CORDON D'ALIMENTATION

Si le cordon d'alimentation secteur doit être remplacé, il faut le faire réaliser par le constructeur, un de ses agents ou un centre de dépannage agréé, de façon à éviter un risque d'accident.

INSPECTION GENERALE

Vérifiez régulièrement que toutes les vis de fixation sont bien serrées. Les vibrations peuvent les desserrer au fil du temps.

IX - Garantie

La période de garantie des appareils électriques SPARKY est fixe dans la carte de garantie.

Cette garantie exclut les défaillances dues à l'usure normale, à un mauvais usage ou à la surcharge de l'appareil.

Cette garantie implique l'élimination gratuite des défauts (réparation ou remplacement de la pièce défectueuse) dus à l'utilisation de matériaux de mauvaise qualité ou à une erreur de fabrication. En cas de réclamation, le client doit retourner l'outil électroportatif SPARKY non démonté (dans son état initial) au vendeur ou à un service après-vente agréé.

Notes

Lire attentivement les instructions avant d'utiliser ce produit.

Le producteur retient son droit d'améliorer ses produits et de changer les spécifications sans avis spécial.

Les spécifications peuvent varier selon les pays.

Содержание

I	- Введение	15
II	- Технические характеристики	16
III	- Правила безопасности при работе с лазером	16
IV	- Общие инструкции по безопасности	16
V	- Дополнительные правила по электрической безопасности	17
VI	- Узнай больше о своем инструменте	A/18
VII	- Работа	18
VIII	- Уход	21
IX	- Гарантия	21

ПРИНАДЛЕЖНОСТИ

Линейка; 6 пилки; Адаптер для пылеудаления; Ключ для регулирования наклона резки; Инструкция по эксплуатации.

РАСПАКОВКА

Электроинструмент поставляется комплектно в исправном виде. В случае обнаружения несоответствий не рекомендуем использовать инструмент до тех пор, пока обнаруженный дефект не будет устранен. Невыполнение этой рекомендации может стать причиной травмы.

КОМПЛЕКТАЦИЯ

Лобзик FSPE 85 поставляется в упаковке с полной комплектацией, за исключением пилки.

I - Введение

Приобретенный Вами инструмент SPARKY способен превзойти Ваши ожидания. Он изготовлен в соответствии с высокими стандартами качества SPARKY, отвечающими самым строгим требованиям потребителя. Простой в обслуживании и удобный в эксплуатации, он надежно прослужит Вам долгое время.

ВНИМАНИЕ!

Внимательно прочитайте инструкцию по эксплуатации от начала до конца. Обратите особое внимание на места, выделенные словом «Внимание». Приобретенный Вами электроинструмент обладает многими качествами, способными облегчить Вам работу. При его производстве мы уделили наибольшее внимание безопасности, надежности, удобству работы.

ОХРАНА ОКРУЖАЮЩЕЙ СРЕДЫ



С учетом требований охраны окружающей среды, рекомендуем не выбрасывать упаковку, а также отслужившие свой срок инструменты и комплектующие, а рассортировать их и сдать в утилизацию.

ОБОЗНАЧЕНИЯ

На наших электроинструментах Вы увидите много символических обозначений. Они несут в себе важную информацию о продукте и инструкции по использованию



Во время работы необходимо использовать предохранительные очки, маски и наушники.



Соответствует стандартам для безопасности.



Лобзик имеет двойную изоляцию. Две независимых друг от друга ступени изоляции защитят Вас от поражения электрическим током.



Посмотрите на соответствующее изображение

II - Технические данные

• Напряжение:	230–240 V ~ 50 Hz
• Мощность:	710 W
• Номинальная скорость:	800–3200 min ⁻¹
• Длина прорези:	23 mm
• Резка под наклоном: 0°–45°, влево и вправо	
• Глубина резки в:	
- дерево:	85 mm
- стали:	5 mm
• Вес:	3 kg
• Класс лазера:	2
• Длина лазерной волны:	400–700 nm
• Мощность лазера:	≤1 mW

III - Правила безопасности при работе с лазером

В системе SPARKEYE® использован лазерный луч класса 2 мощностью ≤1 mW при длине лазерной волны 400-700 nm. Такой лазерный луч, как правило, не представляет опасности для глаз, но тем не менее, прямой взгляд на лазер связан с опасностью ослепления.

ВНИМАНИЕ! Не направляйте взгляд непосредственно на лазерный луч или внутрь луча, это небезопасно.

- Соблюдайте все правила безопасности в соответствии с инструкцией фирмы-изготовителя.
- Никогда не направляйте лазерный луч на человека или предмет, не являющийся объектом обработки.



- Не задерживайте лазерный луч на человеке.
- Перед работой убедитесь, что лазерный луч направлен на нерезонирующую поверхность обработки, т.е. дерево или материал с неотражающей поверхностью. Яркие освещенные и отражающие свет стальные листы не подходят для лазерной обработки, т.к. их поверхность может отразить луч на человека.
- Не заменяйте лазер, установленный в инструменте заводом-изготовителем на лазер иного происхождения. Ремонт ин-

струмента должен производиться только авторизованным сервисным центром.

ВНИМАНИЕ! Использование настроек, механизмов управления и режимов работы, не описанных в настоящей инструкции по эксплуатации, связано с риском и может иметь следствием выброс лазерной энергии.

IV - Инструкции по безопасности

ВНИМАНИЕ. Внимательно прочтите всю инструкцию от начала до конца. Несоблюдение рекомендаций может стать причиной поражения электрическим током, пожара и/или серьезных травм. Термин «электроинструмент» во всех нижеследующих рекомендациях и правилах осторожного обращения относится и к приобретенному Вами электроинструменту.

Храните инструкцию в надежном месте!

РАБОЧЕЕ МЕСТО

- Соблюдайте порядок на рабочем месте. Беспорядок на рабочем месте приводит к возникновению опасности несчастного случая.
- Учитывайте влияние окружающей среды. Не подвергайте электроинструмент воздействию влаги. Не пользуйтесь электроинструментами при высокой влажности окружающей среды. Следует позаботиться о хорошей освещенности рабочего места. Не пользуйтесь электроинструментами вблизи легковоспламеняющихся жидкостей и газов.
- Посторонние наблюдатели (особенно дети) должны находиться на удалении от рабочего места. Не разрешайте посторонним прикасаться к электроинструменту и сетевому кабелю.

ЭЛЕКТРИЧЕСКАЯ БЕЗОПАСНОСТЬ

- Очень важно, чтобы вилка электроинструмента соответствовала розетке. Никогда никаким образом не видоизменяйте вилку. Не употребляйте никаких адаптерных вилок с защитным заземлением. Использование оригинальной вилки, соответствующей розетке, уменьшает риск электрического удара.
- Избегайте прикасания тела к заземленным поверхностям, например, водопроводным

трубам, радиаторам отопления, плитам, холодильникам, т.к. это связано с опасностью электрического удара.

- Не храните электроинструмент во влажном или мокром месте. Попадание воды в инструмент также увеличивает риск поражения электрическим током.
- Используйте сетевой кабель по назначению, никогда не носите и не держите инструмент за кабель, не выключайте инструмент выдергиванием кабеля из розетки. Держите кабель дальше от источников тепла, масла, острых краев и движущихся деталей. Поврежденный или спутанный кабель увеличивает опасность электрического удара.
- При работе вне помещений используйте удлинитель, предназначенный для работы под открытым небом.

ЛИЧНАЯ БЕЗОПАСНОСТЬ

- Во время работы соблюдайте осторожность. Не пользуйтесь электроинструментами, если Вам не удастся сосредоточиться на работе, если вы находитесь под влиянием алкоголя, наркотиков, лекарств. Невнимательность может стать причиной серьезных травм.
- Носите подходящую спецодежду. Всегда носите защитные очки. Безопасная экипировка: пылезастыная маска, нескользящая обувь, каска, сеточка для длинных волос и теплоизоляция, использованные в зависимости от конкретных условий, понизят риск травматизма во время работы.
- Остерегайтесь самовключения. Не переносите электроинструменты с места на место, не отключив их от сети или держа палец на кнопке пуска. Убедитесь, что выключатель находится в положении «выключено», прежде чем вставить вилку в розетку.
- Перед включением электроинструмента уберите регулировочные и гаечные ключи. Гаечный ключ, находящийся в рабочей зоне движущихся деталей электроинструмента, может стать причиной серьезных повреждений и травм.

ЭКСПЛУАТАЦИЯ И УХОД ЗА ЭЛЕКТРОИНСТРУМЕНТОМ

- Не перегружайте электроинструмент. Используйте электроинструмент только по назначению. Правильно выбранный электроинструмент будет работать лучше и безопаснее.

- Не пользуйтесь электроинструментом, если переключатель не работает. Если электроинструмент становится неконтролируемым и опасным, необходим ремонт.
- Перед настройкой, заменой оснастки и после окончания работы необходимо вынуть вилку из розетки. Эта мера исключит риск случайного включения инструмента. Храните электроинструмент в недоступном для детей месте. Не давайте инструмент в руки неумелым пользователям, это может быть очень опасно.
- Уход за электроинструментом очень важен. Проверьте, в состоянии ли движущиеся детали нормально работать, нет ли повышенного трения и поврежденных деталей. Все детали должны быть правильно смонтированы и должны отвечать всем условиям, чтобы гарантировать безупречную работу электроинструмента. Поврежденные защитные приспособления и детали необходимо отправлять в мастерскую по обслуживанию для ремонта, если только в инструкции по эксплуатации не оговорено иное. Поврежденные выключатели необходимо заменять в ремонтной мастерской. Не пользуйтесь электроинструментами, выключатели которых не работают.
- Храните режущий инструмент заточенным (острым) и чистым, чтобы обеспечить надежную и качественную работу.
- Используйте электроинструмент, оснастку и приспособления строго по назначению и в соответствии с инструкцией. Использование инструмента для работ, не упомянутых фирмой-изготовителем в настоящей инструкции, может иметь серьезные последствия.

СЕРВИС

- Ремонт электроинструмента должен выполняться только авторизованным сервисным центром при использовании только оригинальных запасных частей.

V - Дополнительные правила по безопасности во время работы с электрическими лобзиками

ВНИМАНИЕ! При использовании удлинителя убедитесь в его совместимости по амперажу

с электроинструментом. Во избежание перегрева при работе полностью раскручивайте удлинитель. После долгой работы внешние металлические части и детали оснастки могут перегреться.

ВНИМАНИЕ! Прежде чем подключить электроинструмент к сети, убедитесь, что напряжение сети соответствует напряжению, указанному на табличке технических данных электроинструмента. Если напряжение выше, чем упомянуто, это может стать причиной серьезных травм и испортить машину. Если Вы не уверены, не включайте электроинструмент. Напряжение ниже необходимого вредно для двигателя.

- Убедитесь, что освещения достаточно.
- Не пользуйтесь лобзиком, если в нем отсутствуют предохранители.
- Не перегружайте электроинструмент, работайте на подходящей скорости. При сильном нажиме на инструмент может возникнуть перегрузка, при которой замедляется и становится неэффективной работа двигателя.
- Не допускайте к работе лобзиком лиц, не достигших 18-ти лет.
- Перед работой убедитесь, что для работы имеется достаточно места. Пилки должны быть всегда в хорошем состоянии. Не прикасайтесь к пилке. После работы она очень горячая.
- Не держите руки под обрабатываемым материалом. Не удаляйте мусор, стружку, пыль из-под работающего лобзика. Следите за тем, чтобы вблизи от рабочего места не находились тряпки, провода, веревки.
- Лобзик не предназначен для разрезания гвоздей. Перед работой убедитесь в том, что в рабочей зоне лобзика нет гвоздей, винтов и им подобных предметов.
- Не пытайтесь освободить пилку, застрявшую в материале, на работающем лобзике.
- Если кто-нибудь прервет Вас во время работы, сначала доведите ее до конца и лишь потом обернитесь к нему.
- Перед началом работы убедитесь в том, что все болты хорошо затянуты.
- Не храните материалы и оборудование над местом, где храните инструмент.
- Всегда держите инструмент за изолированные части. При случайном обрезании шнура металлические части лобзика могут «ударить» током.
- Не работайте без предохранительных оч-

ков.

- Применяйте средства защиты от шума. Рекомендуются использование защитных перчаток.

VI - Узнай больше о своем инструменте

Перед началом работы ознакомьтесь со всеми функциями инструмента и правилами безопасной работы.

Используйте электроинструмент и его аксессуары только по назначению.

1. Монтаж лазера
2. Включение и выключение лазера
3. Лазерная аппаратура
4. Включение и выключение лобзика
5. Эргономичная рукоятка с покрытием из эластана
6. Опорная плита
7. Скоба плиты
8. Предохранительный экран
9. Ведущий ролик
10. Шкала угла резки
11. Линейка
12. Переключатель маятникового хода
13. Кнопка контроля скорости
14. Возможность изменения скорости лобзика
15. Устройство для замены пилки без инструмента
16. Адаптер для пылеотсоса
17. Параллельная направляющая

VII - Работа

НАСТРОЙКА ОПОРНОЙ ПЛИТЫ ДЛЯ РЕЗКИ ПОД УГЛОМ

ВНИМАНИЕ! Всегда вынимайте штепсель из розетки, перед тем как ремонтировать или настраивать лобзик.

1. Переверните лобзик лезвием вверх. Выверните шестигранный винт специальным ключом.
2. Ослабьте винт, используя ключ, и освободите плиту. **1**
3. Легко передвиньте плиту. Наклоните и установите ее под угол от 0° до 45°, используя шкалу на скобе плиты (10). **2**
4. Перемещайте плиту лобзика (6), пока направляющая пилки (9) не остановится про-

тив заднего угла пилки. **3**

5. Затяните шестигранные винты. Для более точной работы нужно опробовать лобзик, измерить угол и при необходимости перенастроить его.

ВНИМАНИЕ! Направляющая пилки (9) поддерживает пилку во время резки и должна всегда быть прижата к заднему углу пилки, кроме работы в режиме прокрутки.

ВКЛЮЧЕНИЕ И ВЫКЛЮЧЕНИЕ ЛОБЗИКА

1. Нажмите кнопку Включить/Выключить до щелчка для закрепления кнопки на предохранителе. **4**
2. Для выключения инструмента нажмите на выключатель, предварительно сняв с предохранителя.

ВНИМАНИЕ! Подождите, пока пилка окончательно остановится и только после этого можете положить лобзик.

НАСТРОЙКА СКОРОСТИ РЕЗКИ

Настройка скорости резки (14) улучшает работу лобзика и защищает пилку от изнашивания.

1. Кнопка настройки скорости используется для программирования скорости пилки. Скорость резки нужно выбирать с учетом обрабатываемого материала. **5**
2. Для увеличения скорости резки переместите кнопку настройки скорости впереди для снижения скорости – соответственно назад. Позиция “1” обозначает самую низкую скорость. Позиция “6” обозначает самую высокую скорость.
3. Определите оптимальную скорость, сделав тест в ненужном куске материала.

ВНИМАНИЕ! Правильно выбранная скорость работы увеличивает срок службы пилки.

КОНТРОЛЬ ВРАЩЕНИЯ

Лобзик может использоваться с Т-образной или U-образной пилкой см. **9a**. Это одно из многих преимуществ используемого механизма для быстрой смены пилки

ВНИМАНИЕ! Для использования лобзика в режиме вращения необходима пилка, специально предназначенная для резки по кривой. **9b**

1. Функция вращения позволяет пилке вращаться на 360°. Эта особенность идеальна в случаях, когда хотите резать по кривой.

Чтобы включить эту функцию, убедитесь, что рычаг для регулировки маятникового хода находится в позиции “S” (12).

ВНИМАНИЕ! Функция вращения не будет действовать, если рычаг находится в позиции “0, 1, 2 или 3”.

2. Освободите вращатель направляющей пилки, отодвинув ее от пилки. В таком положении пилка сможет работать в режиме вращения. Сначала убедитесь, что шнур питания инструмента вынут из розетки. Переверните лобзик пилкой вверх. Выверните шестигранный винт специальным ключом, и отодвиньте вращатель направляющей пилки как можно дальше от пилки, а потом заново закрепите шестигранный винт.
3. Крепко держите лобзик, второй рукой управляйте рукояткой режима вращения. Вы можете вращать рукоятку на 360° как влево, так и вправо для вырезки сложных и изогнутых узоров.
4. Выключение режима вращения: поверните рукоятку режима вращения на 0°, на инструменте позиция обозначена стрелочкой. **7**
5. Соедините вращатель направляющей пилки, ослабив шестигранный винт при помощи специального ключа. Сдвиньте направляющую пилки до упора.
6. Закрепите шестигранный винт. Рычаг регулировки маятникового хода (12) может быть передвинут в обычный режим или режим маятникового хода.

РЕГУЛИРОВКА МАЯТНИКОВОГО ХОДА

1. Регулятор маятникового хода (12) имеет 5 позиций. Первая позиция “S” используется для включения функции вращения. **8**
2. Вторая позиция “0” включает обычный режим резки без маятникового хода.
3. В следующих позициях регулятора “1, 2 и 3” пилка легко движется вперед и назад. Маятниковое движение увеличивает эффективность резки.
4. Установите регулятор в одну из трех позиций в зависимости от того, какая интенсивность маятникового хода Вам необходима. Сделайте пробную резку на ненужном куске материала, чтобы настроить лобзик на оптимальный результат.

РЕЗКА

1. Включите лобзик и подождите, пока пилка достигнет максимальной скорости.
2. Легко перемещайте лобзик вперед и назад

двумя руками, держа лобзик напротив материала.

3. Не перегружайте лобзик.

ВНИМАНИЕ! Пилка и лобзик должны работать свободно, без нажима.

РЕЗКА УГЛУБЛЕНИЙ И ОКРУЖНОСТЕЙ

1. Начиная от центра обрабатываемого материала: сделайте отверстие диаметром 12 мм.
2. Если необходимо резать две кривые, расположенные очень близко одна к другой, настройте лобзик на нижнюю скорость.

ВНИМАНИЕ! Не двигайте инструмент вперед, до того как пилка не до конца вошла в материал, а платформа не уперлась в поверхность.

РЕЗКА МЕТАЛЛА

1. Используйте охлаждающий смазочный материал или масло.
2. Во избежание ускоренного износа на обрабатываемый металл и пилку необходимо нанести смазочный материал.

УСТАНОВКА ПАРАЛЛЕЛЬНОЙ НАПРАВЛЯЮЩЕЙ

Параллельная направляющая (11) устанавливается на платформу и держится при помощи особой закрепляющей рукоятки. Она используется для продвижения лобзика по прямой. Меняя позицию направляющей и используя прямой край для ориентира, можно быстро и легко производить прямые параллельные надрезы на деревянной поверхности.

1. Вставьте параллельную направляющую (11) в щель платформы (6).
2. Закрепите направляющую в нужной позиции и зафиксируйте ее положение специальной рукояткой (17).

ПРЕДОХРАНИТЕЛЬ ПИЛКИ

1. Предохранитель должен быть всегда на месте во время работы лобзика (8).
2. Предохранитель имеет пружину (9). В зависимости от позиции рычага для регулировки маятникового хода (12), направляющая остается неподвижной (не маятниковой) или колеблется вперед-назад, позволяя пилке резать в режиме маятникового хода.

ЗАМЕНА ПИЛКИ

ВНИМАНИЕ! До проведения любых манипуляций с заменой пилки убедитесь, что лобзик

выключен и шнур выдернут из сети питания.

Извлечение пилки

1. Поставьте палец на нижний передний свободный край предохранителя пилки (8) и потяните его на себя. Предохранитель выдергивается при движении -вперед и наверх. **9**
2. Толкните устройство для замены пилки (15) наверх, при этом будьте осторожны – следите, чтобы ваши руки не касались зубцов лобзика.
3. Сейчас можно легко удалить пилку движением вниз к основанию инструмента.

Установка новой пилки

1. Убедитесь, что устройство для замены ножа (15) выдернуто наверх до конца, вставьте новую пилку в специальный паз в зажиме для пилки зубцами вперед. Убедитесь, что задний край пилки держится направляющей. **10 11**
2. Отпустите устройство для замены пилки, и пилка плотно встанет на свое место.
3. Передвиньте передний предохранитель пилки.
4. Включите шнур питания в розетки и сначала запустите лобзик вхолостую для проверки его работы.

ПРИСПОСОБЛЕНИЕ ДЛЯ ПЫЛЕОТВОДА

Адаптер для пылеотвода позволяет присоединять к инструменту систему пылеудаления или домашний пылесос для удаления пыли непосредственно во время работы инструмента.

ВНИМАНИЕ! Не пользуйтесь системой пылеудаления или домашним пылесосом при резке металла. От искр могут возгореться остатки древесной пыли.

ПРИМЕНЕНИЕ ЛАЗЕРНОЙ ЛИНЕЙНОЙ СИСТЕМЫ SPARKKEY®

ВНИМАНИЕ! Не смотрите напрямую на луч лазера. Никогда не направляйте луч на людей или предметы, кроме рабочей поверхности. Луч не должен быть направлен на глаза человека. Луч не должен направляться на отражающие поверхности, только на дерево или поверхности с неотражающим покрытием. Блестящий отражающий лист стали или подобные поверхности не подходят для использования лазера, так как могут отразить луч на работника.

1. Проведите линию разреза на деревянном предмете.
2. Определите необходимый угол скола.
3. Включите инструмент.
4. Когда пилка начнет работать на максимальной скорости (примерно через 2 секунды), подведите инструмент к предмету.
5. Включите лазерный луч (кнопка 2).
6. Выровняйте луч по отметине на предмете и легко нажмите пилку двумя руками, удерживая красный луч на отметине.
7. После резки выключите лазерный луч.

Питание лазерного луча находится внутри агрегата. Лазер используется для повышения качества резки, удобства работника и повышения безопасности операции. Лазерный луч может отключаться при помощи выключателя (2).

VIII - Уход

ВНИМАНИЕ! Выключайте лобзик перед настройкой или заменой лезвий.

УХОД ЗА ИНСТРУМЕНТОМ

1. Храните лобзик в чистом виде.
2. Регулярно чистите лобзик от пыли и грязи, лучше это делать тряпкой.
3. Регулярно смазывайте все части.
4. Если корпус инструмента нуждается в чистке, почистите его тряпкой. Можно использовать моющее средство, не содержащее алкоголя и других подобных химических веществ.
5. Никогда не используйте моющие средства, которые могут повредить пластиковые детали.

ВНИМАНИЕ! Никогда не допускайте попадания воды в электроинструмент.

ОСНОВНОЙ ОСМОТР

1. Регулярно проверяйте состояние Ваших инструментов, чтобы вовремя обнаружить неисправности.
2. Проверьте состояние проводов. Поврежденные провода необходимо заменять в ремонтной мастерской.

ЗАМЕНА СЕТЕВОГО КАБЕЛЯ

Если сетевой кабель требует замены, это следует сделать в авторизованном сервисном центре или через представителя этого центра.

IX - Гарантия

Гарантийный срок на электроинструменты SPARKY определяется в гарантийной карте. На дефекты, возникшие вследствие естественного износа, перегрузке или неправильной эксплуатации, гарантийные обязательства не распространяются.

Дефекты, появившиеся в результате использования некачественных материалов или производственных ошибок, устраняются без дополнительной оплаты путем замены или ремонта. Рекламация на электроинструмент SPARKY признается, если машина возвращена поставщику или представлена в гарантийный фирменный сервис в неразобранном (первоначальном) виде.

Примечания

Перед тем как начать работать с новым инструментом, внимательно изучите настоящую инструкцию по эксплуатации от начала и до конца.

Производитель сохраняет за собой право вносить изменения в свои изделия с целью их улучшения и менять спецификации без предупреждения.

Спецификации могут быть разными в разных странах мира.

Съдържание

I - Въведение	22
II - Техническа спецификация	23
III - Правила за безопасност при работа с лазер	23
IV - Общи инструкции за безопасност при работа с електроинструменти	23
V - Допълнителни правила за безопасност с ножови триони	25
VI - Опознай своя продукт	A/26
VII - Начин на употреба	26
VIII - Поддръжка	29
IX - Гаранция	29

ПРИНАДЛЕЖНОСТИ

Паралелен водач; 6 ножа; Адаптер за прахоотвеждане; Ключ за регулиране на наклона на рязане; Инструкция за експлоатация.

РАЗОПАКОВАНЕ

В съответствие с общоприетите технологии на производство е необичайно Вашият електроинструмент да е неизправен или някоя от частите му да липсва. Ако забележите, че нещо не е наред, не работете с електроинструмента докато повредената част не се смени или дефектът не бъде отстранен. Неизпълнението на тази препоръка може да доведе до сериозни наранявания.

СГЛОБЯВАНЕ

FSPE 85 се доставя пакетирани и напълно оборудвани с изключение на ножа.

I - Въведение

Инструментите SPARKY са изработени в съответствие с високите SPARKY стандарти за качество. Употребата им е лесна и безопасна. При правилна употреба инструментът ще ви служи дълго време.

ВНИМАНИЕ!

Внимателно прочетете цялата инструкция за експлоатация преди да използвате своя нов инструмент. Обърнете специално внимание на секциите „Внимание“ и „Предупреждения“. Вашият електроинструмент има много качества, които улесняват работата ви с него. При изработването на инструмента най-голямо внимание е обърнато на безопасността и сигурността му.

ОПАЗВАНЕ НА ОКОЛНАТА СРЕДА



Рециклирайте ненужните материали вместо да ги изхвърляте в боклука. Всички инструменти, кабели и опаковки трябва да се сортират и занесат за рециклиране по безопасен за околната среда начин.

ОПИСАНИЕ НА СИМВОЛИТЕ

Върху инструмента са поставени специални символни означения. Те предоставят важна информация за продукта или инструкции за неговото ползване.



Носете предпазни слушалки.
Носете предпазни очила.
Носете предпазни маски.



Съответствие със Европейските стандарти за безопасност.



Двойна изолация за допълнителна защита



Вижте съответно изображение в инструкцията.

II - Техническа спецификация

• Напрежение:	230–240 V ~ 50 Hz
• Мощност:	710 W
• Номинална скорост:	800–3200 min ⁻¹
• Ход:	23 mm
• Ъгъл на рязане:	0°– 45°, ляво и дясно
• Дълбочина на прореза в:	
- дърво:	85 mm
- стомана:	5 mm
• Тегло:	3 kg
• Клас на лазера:	2
• Дължина на лазерната вълна:	400–700 nm
• Мощност на лазера:	≤1 mW

III - Правила за безопасност при работа с лазер

Лазерният лъч, използван в SPARKEYE® системата е Клас 2 с максимум ≤ 1 mW и 400–700 nm дължина на лазерната вълна. Тези лазери обикновено не представляват опасност за очите, въпреки това обаче ако гледате директно в лазера може да бъдете заслепени.

ПРЕДУПРЕЖДЕНИЯ. Не гледайте директно към лазерния лъч. Съществува риск ако преднамерено се взира в лазерния лъч. Моля спазвайте всички правила за безопасност както следва.

- Лазерът трябва да се използва и поддържа в съответствие с инструкциите на производителя.
- Никога не насочвайте лазерния лъч към човек или към предмет, който не е работния Ви материал.



- Лазерният лъч не трябва да се насочва към човек и трябва да се внимава да не е насочен към око на човек.
- Винаги се уверявайте, че лазерният лъч е насочен към здрав материал, чиято повърхност не рефлектира, т.е. дърво или грубо облицовани повърхности. Ярко светещи и рефлектиращи стоманени листа не са подходящи за лазерна обработка, заради рефлектиращата повърхност, която може

да насочи потока от лазерни лъчи обратно към работещия.

- Не подменяйте монтирания лазер с друг, който не е от същия вид. Ремонтите трябва да се правят само производителя или ототоризираните сервиси.

ВНИМАНИЕ! Употребата на настройки, механизми за управление, или процедури на работа, различни от описаните тук могат да доведат до излагане на радиационно облъчване.

IV - Инструкции за безопасност

ПРЕДУПРЕЖДЕНИЕ. Прочетете внимателно и разберете всички инструкции. Неспазването на указаните по-долу инструкции може да доведе до токов удар, пожар и/или трудова злополука. Терминът „електроинструмент“ във всички дадени по-долу предупреждения се отнася за Вашия електроинструмент (с присъединителен кабел) или за акумулаторния такъв.

Запазете тези инструкции!

РАБОТНО МЯСТО

- Поддържайте работното си място чисто и добре осветено. Безпорядъкът и недостатъчното осветление са предпоставка за трудови злополуки.
- Не работете с електроинструменти във взривоопасна среда – при наличие на лесно запалими течности, газ, или прах. Електроинструментите произвеждат искри, които могат да възпламенят прахта или изпаренията.
- Дръжте децата и страничните наблюдатели далеч от Вас, когато работите с електроинструмента. Разсейването може да доведе до загуба на контрол от Ваша страна над машината.

ЕЛЕКТРИЧЕСКА БЕЗОПАСНОСТ

- Щепселът на електроинструмента трябва добре да съвпада с контактното гнездо. Никога не видоизменяйте щепсела по какъвто и да е начин. Не използвайте каквито и да било адаптерни щепсели за електроинструменти със защитно заземяване. Употребата на оригинален щепсел, който съвпада с контакта ще намали риска от токов удар.
- Избягвайте допир на тялото си със заземе-

ни повърхности като водопроводни тръби, радиатори, електрически печки и охладители. Ако тялото Ви е заземено, съществува риск от токов удар. Не съхранявайте електроинструмента на влажно или мокро място. Проникването на вода в електроинструментите увеличава опасността от токов удар.

- Използвайте шнура по предназначение. Никога не го ползвайте за пренасяне, влачене или изваждане от контактното гнездо на електроинструмента. Дръжте шнура на разстояние от източници на топлина, масло, остри ръбове или движещи се части. Повредените или оплетени кабели увеличават риска от токов удар.
- При работа с електроинструмента на открито използвайте удължители, предназначени за експлоатация на открито. Използването на подходящи удължители ще намали риска от токов удар.

ЛИЧНА БЕЗОПАСНОСТ

- Бъдете внимателни и постъпвайте обмислено, когато работите с електроинструменти. Не работете с електроинструменти, когато сте изморени или под влиянието на наркотици, алкохол или медикаменти. Момент на невнимание може да доведе до трудова злополука.
- Използвайте защитна екипировка. Винаги носете защитни очила. Защитната екипировка като прахозащитна маска, неплъзгащи се обувки, каска и топлинна изолация, използвана в зависимост от конкретните условия ще намалят възможността от трудови злополуки.
- Избягнете неволно пускане. Убедете се, че прекъсвачът е на позиция „изключен“ преди да присъедините електроинструмента към захранващата мрежа. Носенето на електроинструменти с пръст върху бутона за включване или свързването им към мрежата, когато бутонът не е на позиция „изключен“ води до трудови злополуки.
- Отстранете ключовете за затягане или гаечните ключове преди да включите електроинструмента. Гаечен ключ, оставен в близост до въртящата се част на електроинструмента може да доведе до трудови злополуки.
- Не се претоварвайте. Винаги бъдете в удобна позиция за работа. Това ще Ви даде възможност за по-добър контрол над електроинструмента в неочаквани ситуации.

- Облечете се подходящо. Не носете широки дрехи или бижута. Пазете косата, дрехите и ръкавиците си далеч от подвижните части. Широки дрехи, бижутата или дългата коса могат да бъдат захванати от движещите се части.
- Ако електроинструментът е снабден с приспособления за изсмукване и събиране на прах, осигурете тяхното правилно свързване и използване. Използването на тези приспособления намалява свързаните с прах рискове.

ЕКСПЛОАТАЦИЯ И ГРИЖА ЗА ЕЛЕКТРОИНСТРУМЕНТА

- Не претоварвайте електроинструмента. Използвайте подходящия електроинструмент за конкретната работа. Правилно избраният електроинструмент ще работи по-добре и по-безопасно в диапазона на мощността, за която е проектиран.
- Не използвайте електроинструмента ако прекъсвачът не работи. Всеки електроинструмент, който не може да бъде контролиран чрез този бутон е опасен и трябва да бъде ремонтиран.
- Извадете щепсела от захранващата мрежа преди да правите всякакви настройки, смяна на аксесоари или когато прибирате електроинструмента. Тези предпазни мерки намаляват риска от неволно включване на електроинструмента.
- Прибирайте електроинструментите на място недостъпно за деца и не позволявайте на хора незапознати с електроинструментите и с тези инструкции да работят с тях. Електроинструментите са опасни, поставени в ръцете на необучени за работа с тях хора.
- Поддържайте електроинструментите. Проверявайте дали движещите се части функционират нормално и се движат свободно, целостта и изправността на частите, както и всякакви други условия, които могат да попречат на работата на електроинструмента. При повреда ремонтирайте електроинструмента преди отново да го използвате. Много инциденти се получават заради много поддържани електроинструменти.
- Поддържайте режещите инструменти остри и чисти. Правилно поддържаните режещи инструменти с остри режещи ръбове по-рядко блокират и са по-лесни за управление.
- Използвайте електроинструмента, аксесоарите и приспособленията в съответствие

с тези инструкции и по начина предвиден за този специфичен вид електроинструмент като вземате предвид условията на работа и характера на извършваната дейност. Употребата на електроинструмента за дейност различна от тази, за която е предназначен, може да доведе до рискови ситуации.

СЕРВИЗ

- Ремонтирайте електроинструмента само в оторизирани сервиси, където използват оригинални резервни части. Това ще осигури безопасната работа с електроинструмента.

V - Допълнителни правила за безопасност при работа с ножови триони

ПРЕДУПРЕЖДЕНИЕ. Преди да включите електроинструмента към източника на енергия (контакт, фасунга, бухса) се уверете, че захранването е същото каквото е специфицирано на етикета на инструмента. Източник на енергия и напрежение по-голямо от определеното за инструмента може да доведе до сериозни наранявания на потребителя както и до повреда на машината.

Ако се колебаете не включвайте електроинструмента. В случай че напрежението е по-малко от необходимото се уврежда моторът.

Вашият електроинструмент е двойно изолиран за допълнителна защита срещу вероятна повреда на машината.

Винаги изключвайте захранващия кабел от контакт преди да предприемете всякакви настройки, ремонти, смяна на ножове.

- Убедете се, че осветлението е подходящо.
- Не използвайте триона ако предпазителят му не са на мястото си.
- Дръжте основата плътно прилепена до работната повърхност.
- Не оказвайте натиск на триона, защото това ще забави мотора. Оставете ножовете на триона да режат без да оказвате натиск. Така ще постигнете по-добри резултати.
- Старайте се да не създавате рискови ситуации.

- Не позволявайте на хора под 18 години да работят с този трион.
- Използвайте ножове в добро състояние.
- Преди да започнете да режете, проверете дали има достатъчно свободна площ за работа.
- Не докосвайте ножа след работа. Той е много горещ.
- Не дръжте ръцете си под обработвания материал.
- Не почиствайте от прах, боклук, стърготини с ръце когато триона работи.
- Не оставяйте парцали, кабели, връзки и т.н. на работното си място.
- Не режете пирони. Проверявайте работното си място дали е почиствено от различни предмети преди да започнете да режете.
- Никога не се пресягайте над ножа, за да премахнете боклук или отпадъци от рязането.
- Не се опитвайте да освободите заял нож преди да сте изключили напълно машината.
- Ако ви прекъснат по време на работа първо довършете започнатото, изключете машината и тогава вдигнете поглед.
- Периодично проверявайте дали всички гайки, болтове и останалите пособия са добре затегнати.
- Не складирайте материали или оборудване над мястото, където държите електроинструмента по такъв начин, че те да могат да паднат върху него.
- Винаги дръжте триона за тези части, които са изолирани. Ако случайно срежете скрита жица или захранващия кабел на триона, металните части на електроинструмента ще станат проводими.
- Не оставяйте триона с ножа нагоре върху работната маса. Това може да доведе до сериозни наранявания.
- Когато работите с ножов трион използвайте съответната екипировка, включваща защитни очила или каска, антифони, противопрахова маска и защитни дрехи и ръкавици.

VI - Опознай своя продукт

Преди да започнете да работите с триона се запознайте с всички оперативни особености и условия за безопасност.

Използвайте електроинструмента и аксесоарите му само по предназначение. Всяко друго приложение е изрично забранено.

1. Лазерно устройство
2. Бутон за включване и изключване на лазера
3. Лазерен излъчвател
4. Бутон за включване и изключване на триона
5. Ергономична ръкохватка с еластоланово покритие.
6. Плъзгаща се плоча
7. Скоба на плочата
8. Ножов предпазител
9. Ножов водач
10. Скала за определяне ъгъла на рязане
11. Паралелен водач
12. Лостче за регулиране на махаловидния ход
13. Контрол на въртенето
14. Електронен регулатор на скоростта на триона
15. Устройство за безинструментна смяна на ножа
16. Накрайник за прахоотвеждане
17. Винтове на паралелния водач

VII - Начин на употреба

НАСТРОЙВАНЕ НА ОСНОВАТА ЗА РЯЗАНЕ ПОД ЪГЪЛ

ПРЕДУПРЕЖДЕНИЕ. Винаги изключвайте кабела от контакта преди да ремонтирате или пренастройвате електроинструмента.

1. За да настроите ъгъла на рязане първо обърнете триона с ножа надолу. Развъртете шестоъгълния винт като използвате специалния ключ и освободете ножовия водач. **1**
2. Следващата стъпка е да разхлабите винта като използвате същия ключ, което ще освободи основата (6).
3. Леко отместете основата. Сега може да я наклоните, за да нагласите необходимия Ви ъгъл между 0° и 45°, използвайки скала-

- та на скобата на основата (7). **2**
4. След това приплъзнете основата на триона докато ножовия водач застане срещу задния ъгъл на ножа. **3**
5. Накрая затегнете шестоъгълните винтове. За по-прецизна работа е необходимо да тествате триона, да измерите прорезния ъгъл и да пренастройвате ако е необходимо.

ВНИМАНИЕ! Ножовият водач поддържа ножа докато реже и трябва винаги да е срещу задния му ръб, освен когато работите във спирален режим. Той трябва да се върти свободно.

ВКЛЮЧВАНЕ И ИЗКЛЮЧВАНЕ НА ТРИОНА

1. Преместете бутоната напред и нагоре над блокиращата рампа, за да застопорите бутоната за включване. **4**
2. За да изключите електроинструмента, преместете края на бутоната назад и го преместете над блокиращата рампа.

ВНИМАНИЕ! Изчакайте ножът да спре напълно преди да изключите и да оставите триона.

НАСТРОЙВАНЕ СКОРОСТТА НА РЯЗАНЕ

Промяната на скоростта на рязане подобрява работата на триона и запазва ножа от износване.

1. Бутонът за промяна на скоростта се използва за програмиране на скоростта на ножа. Скоростта трябва да се съобразява с вида материал, който се реже. **5**
2. Преместите бутоната за смяна на скоростта напред за увеличаване на скоростта и назад за намаляване на скоростта. Позиция „1“ обозначава най-ниската скорост. Позиция „6“ обозначава най-високата скорост.
3. Определете оптималната скорост като направите тестово рязане в непотребен материал.

ЗАБЕЛЕЖКА. Когато използвате подходящата скорост за конкретната работа, ще увеличите живота на ножа.

КОНТРОЛ НА ВЪРТЕНЕТО

Ножовият трион може да се ползва както с ножчета с Т-образна опашка, така и с ножчета с U-образна опашка **6a**. Това едно от многото предимствата на използваният универсалният механизъм за бърза смяна на инструментата.

ЗАБЕЛЕЖКА. Използването на триона в режим на му на въртене изисква нож, специално проектиран за рязане по крива линия. **6b**

1. Спираловидният ход позволява на ножа да се завърти на 360°. Тази особеност е идеална, когато желаете да режете по крива линия или за детайлна работа. За да включите тази функция, първо се убедете дали лостчето за регулиране на махаловидния ход (12) е на позиция „S“.

ЗАБЕЛЕЖКА. Спираловидния ход няма да работи ако лостчето е на позиции „0, 1, 2 или 3“.

2. Освободете ролера на ножовия водач, предвижвайки го напред от ножа, за да позволите на ножа да се върти, когато е включена въртящата функция. Първо се уверете, че защитният кабел е изваден от контакт, след това обърнете триона надолу, развийте шестоъгълните винтове със специалния ключ и избутайте ролера на ножовия водач от ножа докато е възможно. Затегнете шестоъгълните винтове.
3. Като държите с едната ръка здраво триона за ергономичната ръкохватка с еластоланово покритие, поставете другата на бутоната за контрол на въртенето и завъртете. Може да завъртите до 360° на ляво или дясно докато работите с триона по крива линия и сложни прорези.
4. За да изключите въртящата функция и да работите в стандартен или махаловиден режим, първо завъртете копчето за контрол на въртенето обратно на 0°, което е индикирано на стрелката върху него когато тя е изравнена със стрелката на редукторната кутия. **7**
5. След това свържете ролера на ножовия водач като развийте шестоъгълните винтове със специалния ключ и бутнете ролера на ножовия водач напред докато е възможно.
6. Поддържане на ножа. Затегнете шестоъгълните винтове. Сега вече може да преместите лостчето за регулиране на махаловидния ход на желаната позиция за право стандартно или махаловидно рязане.

МАХАЛОВИДЕН РЕЖИМ – НАСТРОЙКИ

1. Лостчето за регулиране на махаловидния ход (12) има пет позиции. Първата позиция „S“ се използва за включване на въртящата функция. **8**
2. Втората позиция „0“ избира нормално рязане без махаловидни движения.

3. При следващите три позиции „1, 2 и 3“ ножът леко се мести напред и назад докато реже. Махаловидното движение увеличава ефикасността на рязането.
4. Настройте лостчето на една от трите позиции в зависимост от това каква степен на махаловидно действие е необходимо. Изпробвайте върху непотребен материал, за да определите оптималния махаловиден ход на триона за конкретния материал.

РЯЗАНЕ

1. Включете триона и оставете ножа да достигне максимална скорост.
2. Леко движете триона напред като използвате и двете си ръце, държейки здраво основата срещу работния материал.
3. Не форсирайте триона.

ЗАБЕЛЕЖКА. Използвайте само толкова натиск, че ножът да реже. Не напрягайте инструмента, позволете на ножа и на триона да работят свободно.

РЯЗАНЕ НА КУХИНИ И РЯЗАНЕ В ОКРЪЖНОСТ

1. Когато искате да започнете рязането от центъра на обработвания материал, пробийте дупка с диаметър 12 mm, за да сте уверени, че ще имате свобода на действие за ножа.
2. Когато режете плътно доближени една до друга криви линии, намалете скоростта.

ПРЕДУПРЕЖДЕНИЕ. Не местете триона напред по посоката на рязане, докато ножът му не навлезе напълно в материала и основата не спре на повърхността.

РЯЗАНЕ НА МЕТАЛ

1. При рязане на метал трябва да се използва охлаждаща течност или масло.
2. Полейте със смазочното масло ножа или обработвания материал по линията на рязане, за да предотвратите износването на ножа.

НАСТРОЙКИ НА ПАРАЛЕЛНИЯ ВОДАЧ

Паралелният водач (11) се поставя в основата (6) и се застопорява със специалния бутон. Той се използва за придвижване на триона по права линия, която може да е ръба на работното място или права греда закрепена за работното място.

1. Поставете паралелния водач (11) в процеп му на основата (6).

2. Настройте водача на желаната позиция и го застопорете с бутона (17).

НОЖОВ ПРЕДПАЗИТЕЛ

Ножовият предпазител (8) трябва винаги да е на мястото си, когато трионът работи.

1. Ножовият водач (9) е подвижен. В зависимост от позицията на лостчето за регулиране на махаловидния ход (12), водачът остава неподвижен (не махаловиден) или се мести напред и назад, карайки ножа да реже махаловидно.

СМЯНА НА НОЖА

ПРЕДУПРЕЖДЕНИЕ. Уверете се, че инструментът е напълно изключен и захранващият кабел е изваден от контакт преди да смените настройките.

Отстраняване на ножа

1. Поставете пръста си на най-ниския преден свободен ръб на ножовия предпазител и издърпайте. Предпазителят се издърпва напред и нагоре и позволява достъп до ножа. **9**
2. Преместете устройството за смяна на ножа (15) нагоре като внимавате пръстите ви да не докосват зъбците на ножовия трион.
3. Докато устройството за смяна на ножа (15) е избутано нагоре, ножът може да бъде лесно изваден с издърпване надолу.

Поставяне на ножа

1. Уверете се че устройството за смяна на ножа (15) е избутано нагоре до край, приплъзнете новия нож в определения прорез със зъбците напред. Уверете се, че задният ръб на ножа е поставен така, че ножовия водач го поддържа. **10 11**
2. Освободете устройството за смяна на ножа и то ще захване ножа здраво и сигурно.
3. Върнете предния ножов предпазител на мястото му.
4. Включете кабела и пуснете триона на празен ход, за да проверите дали работи безпроблемно и дали ножът е здраво закрепен преди да започнете да режете с него.

НАКРАЙНИК ЗА ПРАХООТВЕЖДАНЕ

Посредством крайника за прахоотвеждане (16) свързвате инструмента със системата за прахоотвеждане или с домашната прахосмукачка, за да може прахта да бъде изсмуквана в момента на работа.

ПРЕДУПРЕЖДЕНИЕ. Не използвайте системата за прахоотвеждане или домашната прахосмукачка, когато режете метал. Искрите могат да възпламенят остатъчните стърготини.

УПОТРЕБА НА ЛАЗЕРНАТА СИСТЕМА SPARKKEY®

ПРЕДУПРЕЖДЕНИЕ. Не гледайте директно към лазерерния излъчвател.

Никога не насочвайте лазерния лъч към човек или предмет, освен към работния материал. Лазерният лъч не трябва да се насочва към човек и трябва да се внимава да не е насочен към човешкото око.

Винаги се уверявайте, че лазерният лъч е насочен към здрав материал, чиято повърхност не рефлектира, т.е. дърво или грубо облицовани повърхности.

Лъскави стоманени листа не са подходящи за лазерна обработка поради отразяващата им повърхност, която може да насочи потока от лазерни лъчи обратно към оператора. Включвайте лазера само когато електроинструментът е на работното място.

1. Маркирайте линията на рязане на работното място.
2. Настройте ъгъла на рязане.
3. Включете машината в захранването и стартирайте мотора.
4. Когато ножът достигне максимална скорост (работа приблизително 2 секунди), поставете триона на работното място.
5. Включете лазерния лъч, като използвате бутона (2)
6. Изравнете лъча с линията очертана по работното място и бавно плъзгайте триона напред като използвате и двете си ръце. Внимавайте червената светлина на лазера да следва очертаната линия.
7. Изключете лазерния лъч, когато приключите с рязането.

Лазерният лъч е захранван от трансформатор, намиращ се в конструкцията (1). Той може да се използва за подобряване на рязането, прецизност на рязането, по-бързо приложение и безопасност на работата.

Лазерният лъч може да се включва и изключва от превключвател (2).

VIII - Поддръжка

ПРЕДУПРЕЖДЕНИЕ. Уверете се, че инструментът е напълно изключен преди да промените настройките или да смените ножовете на ножовия трион.

ПОЧИСТВАНЕ

1. Поддържайте ножовия трион винаги почистен от стърготини.
2. Почиствайте редовно прахта и мръсотията, най-добре с парцал.
3. Редовно смазвайте всички подвижни части на машината.

ВНИМАНИЕ! Не използвайте разтворители и абразивни препарати при почистване на пластмасовите части на инструмента. Препоръчително е почистването да става с влажна кърпа. Не бива да се допуска влизането на вода в машината.

ПОДДРЪЖКА НА ЗАХРАНВАЩИЯ КАБЕЛ

Ако захранващият кабел трябва да се подмени, тази задача трябва да се изпълни от производителя, негов дистрибутор или оторизиран сервиз, за да се избегнат рискови ситуации.

ОСНОВЕН ПРЕГЛЕД

Редовно проверявайте дали всички захващащи винтове са добре затегнати.

С течение на времето те биха могли да се разхлабят от вибрациите.

IX - Гаранция

Гаранционният срок на електроинструментите SPARKY се определя в гаранционна карта. Неизправности, появили се в следствие на естествено износване, претоварване или неправилна експлоатация, се изключват от гаранционните задължения. Неизправности, появили се в следствие на влагане на некачествени материали и/или производствени грешки, се отстраняват без допълнително заплащане чрез замяна или ремонт. Рекламация на дефектирал ръчен електроинструмент SPARKY се признава, когато машината се върне на доставчика или се представи на оторизиран гаранционен сервиз в неразглюбено (първоначално) състояние.

Забележки

Внимателно прочетете цялата инструкция за експлоатация преди да използвате този продукт.

Производителят си запазва правото да въвежда подобрения и промени в своите продукти и да променя спецификациите без предупреждение.

Спецификациите могат да се различават за отделните страни.