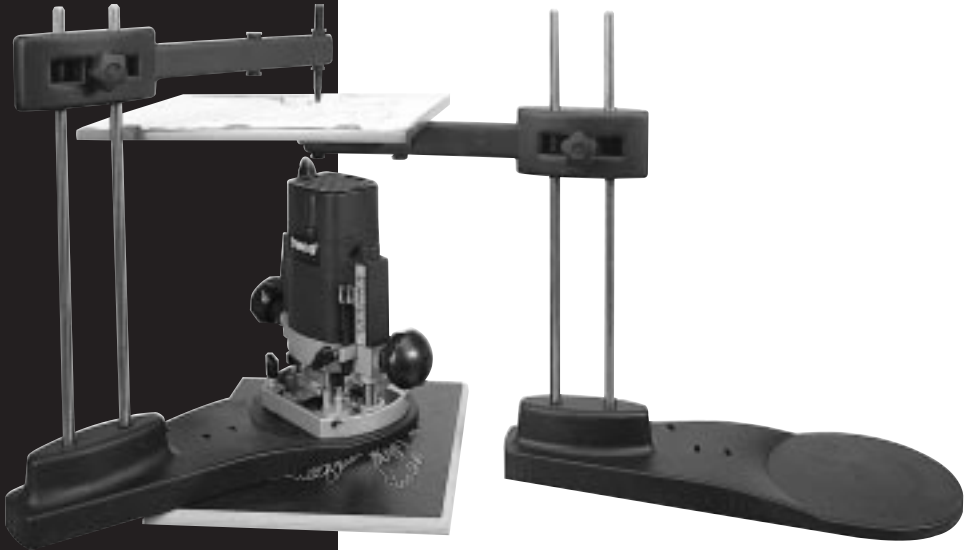


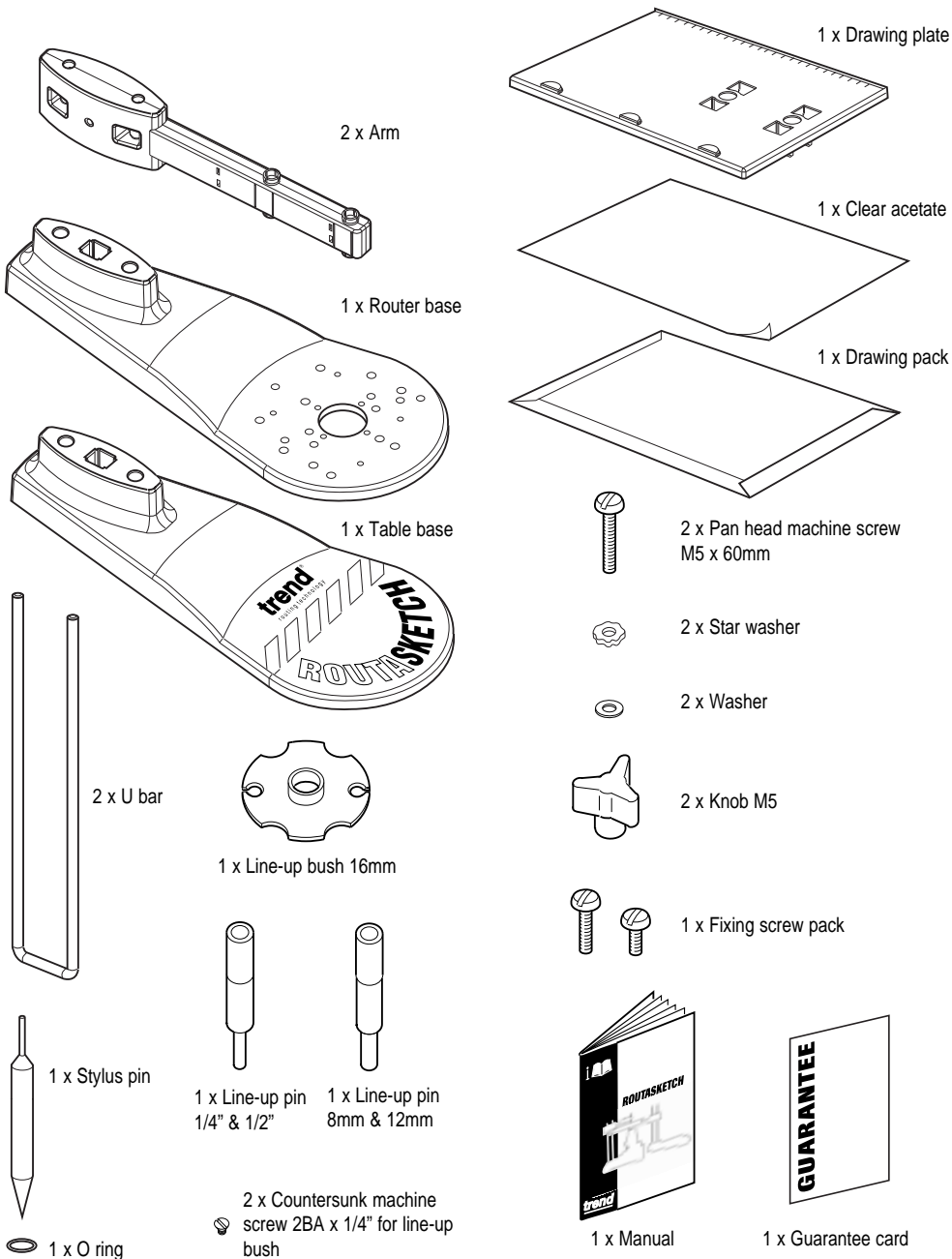
ROUTASKETCH



trend[®]
routing technology

International Patent No.:
PCT/GB01/02290

ITEMS ENCLOSED & DESCRIPTION OF PARTS



SAFETY PRECAUTIONS

- Always switch off the power and unplug the router when changing cutters or when making adjustments.
- Always wear protective goggles when routing.
- Wear sound protective ear muffs when routing for long periods of time.
- Always wear a dust mask or respirator. Use dust extraction equipment whenever possible.
- Do not wear loose clothing. Make sure baggy sleeves are rolled up and ties are removed.
- Always remove spanners and hex keys from the workpiece before switching router on.
- Keep hands well clear of the router cutter when routing.
- Avoid accidental starting of the router. Make sure the power switch is in the 'Off' position before plugging in and connecting to the electrical supply.
- Never leave the router unattended when running. Always wait until the router comes to a complete stop before making any adjustments.
- Do not switch the router on with the cutter touching the workpiece.
- Mount the Jig securely to a workbench or to a workboard fitted to a suitable surface.
- Periodically check all nuts and bolts to make sure they are tight and secure.

- Do not overtighten the collet as this will score the shank and create a weakness.
- It is also advisable to periodically check the router collet nut for wear.

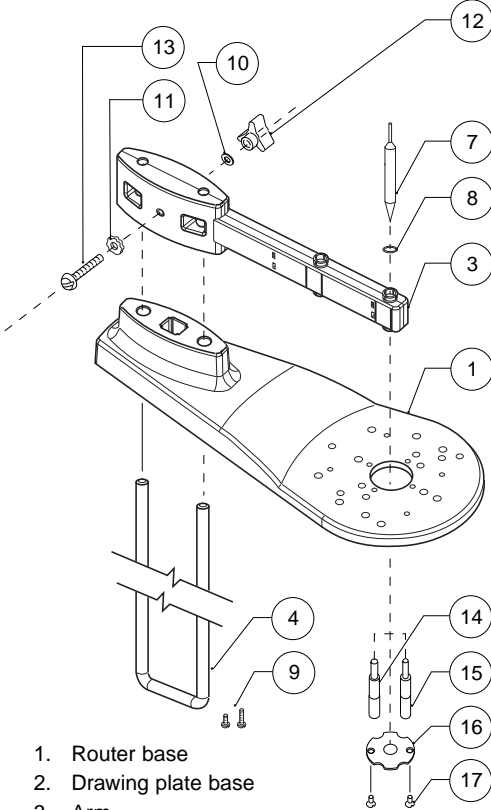
Useful Advice

- Judge your feed rate by the sound of the motor. In time, the operator will acquire a 'feel' for the router and a feed speed relative to the work will come naturally. Too slow a feed will result in burning.
- Apply the normal precautions as with any electric power tool.
- The main cause of routing machine failure is the inclination for operators to overload them. The motto is 'Keep the revs up'. The drop in revolutions should not exceed, if possible, more than 20% of full running speed.
- The motor of a router is susceptible to the accumulation of sawdust and wood chips and should be blown out, or 'vacuumed', frequently to prevent interference with normal motor ventilation.
- Refer to the Instruction Manual supplied with your router for full details of it's features and safety information.
- Trial cuts should be made on waste material before starting any project.

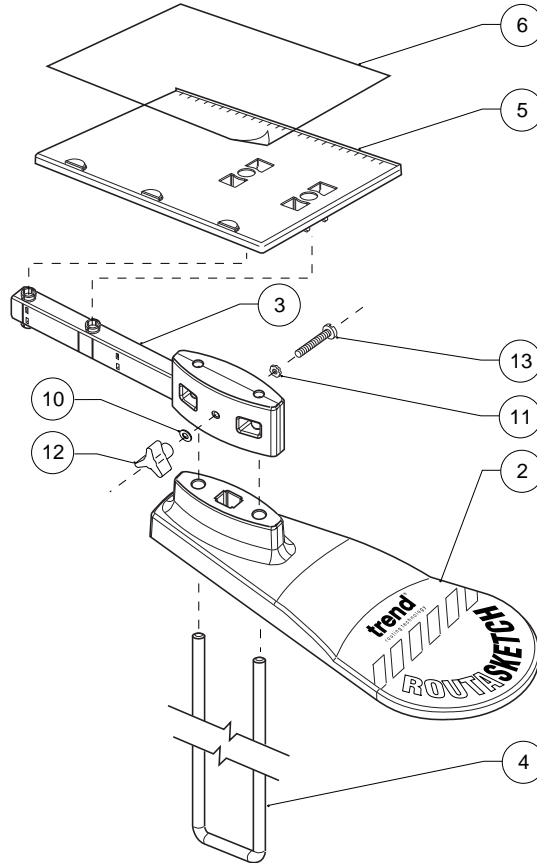
Cutter Care

- Do not drop cutters or knock them against hard objects.
- Cutters should be kept clean. Resin build-up should be removed at regular intervals with Resin Cleaner[®]. The use of a dry lubricant will act as a preventative such as Trendicote[®] PTFE spray.
- Cutter shanks should be inserted into the collet by at least $\frac{3}{4}$ of the shank length to prevent distortion. A distorted collet should be discarded, as it can cause vibration and damage the shank.

ASSEMBLY



1. Router base
2. Drawing plate base
3. Arm
4. 'U' bar
5. Drawing plate
6. Clear acetate
7. Double ended v point (3mm Ø stylus pin)
8. Stylus 'O' ring
9. Screw pack for router
10. Washer
11. Star washer
12. Knob M5
13. Machine screw M5 x 60mm
14. Line-up pin 1/4"
15. Line-up pin 8mm
16. Line-up bush 16mm OD
17. Guide bush screws



Assembly Instructions

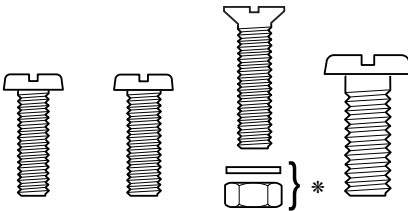
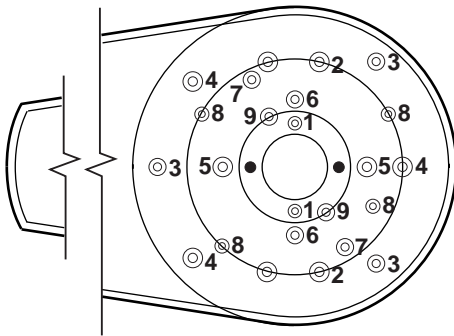
- Assemble the 'U' bars (4) to the router base (1) and the table base (2). Ensure the bar (4) is securely clipped into the base.
- Clip the drawing plate (5) to one of the arms (3).
- Assemble drawing plate and arm (5 & 3) to the 'U' bar (4) and drawing plate base (2). Hold in position with machine screw (13), star washer (11), washer (10) and knob (12).
- Assemble the remaining arm (3) to the router base vertical bars (1 & 4). Secure in position with machine screw (13), star washer (11), washer (10) and knob (12).
- The double ended stylus pin (7) with 'O' ring (8) fitted can now be placed into the router base arm hole.

Router Fixing Screw Selection

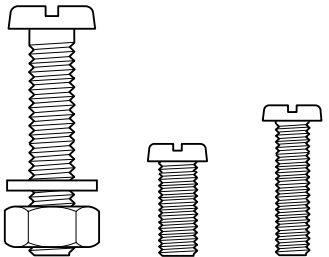
The router should now be fitted to the router base, using appropriate fixing screws. Select the appropriate fixing screws from the table and drawing below.






IMPORTANT! Please note, the Routasketch is suitable for light duty routers only.



A M4x16mm
B M5x16mm
C M5x20mm
D M6x16mm



E M6x30mm
F UNF10-32 x5/8"
G M5x20mm

			
MAKE	MODEL	HOLE	SCREW
AEG	OF450S, OFE710	1	C x 2
ATLAS COPCO	OF550, 720, OFSE850, 1000	1	C x 2
B&D	SR100	1	C x 2
B&D	BD66, BW67	1	C x 2
B&D	BD780(E), KW780(E), 799, 800(E)	1	C x 2 *
BOSCH	POF52, 400, 500A, 600ACE	5	D x 2
BOSCH	POF800ACE, GOF900A	4	E x 3
CASALS	FT750, 1000VCE	6	C x 2
CHAMPION	CPR850	1	C x 2 *
CRAFTSMAN	17507	3	F x 3
DEWALT	DW613, 614, 615, 620, 621	2	D x 2
DRAPER	R850V	1	C x 2
EINHELL	EOF850SP	1	C x 2
EINHELL	BOF850E	1	C x 2 *
ELU	OF97(E), MOF96(E)MK2, 69	2	D x 2
FERM	FBF-6E, FBF-8E	1	C x 2 *
FESTO	OF1E, 900(E), 1000(E), 1010EBC	8	A x 4
FREUD	FT1000E	6	C x 2
HITACHI	M8(V)	9	G x 2
HITACHI	FM8, ZK2008	9	G x 2
HOLZHER	2335, 2336, 2356	1	C x 2
KINZO	25C44	RD	D x 2
KRESS	FM6955	1	C x 2
JCBD	PR	1	C x 2 *
LYNX	RT-800-A	RD	D x 2
MAFELL	LO50E	8	A x 4
MAKITA	3620	6	C x 2
MAKITA	RP0910, 1110C	2	D x 2
METABO	OF1028, OFE1229	RD	E x 3
MILWAUKEE	OFSE1000	1	C x 2
NUTOOL	NPT850	1	C x 2 *
PERFORMANCE POWER	1020W	1	C x 2 *
PERLES	OF808(E) post 1999	2	D x 2
PERLES	OF808(E) pre 1999	1	C x 2
PEUGEOT	TDF800	RD	D x 2
PEUGEOT	DEF570E, DF55E	7	B x 2
POWER DEVIL	PDW5027, 5026	1	C x 2 *
RYOBI	R150, R151, R152	9	G x 2
RYOBI	RE120, RE155K	7	G x 2
SKIL	1835U	3	F x 3
SPARKY	X52E	9	G x 2
STAYER	PR50	1	A x 2
TREND	T3, T5	2	D x 2
VIRUTEX	FR77C, 78C, FR66F	1	C x 2
WICKES	900W	1	C x 2 *

RD = Redrilling of router base required

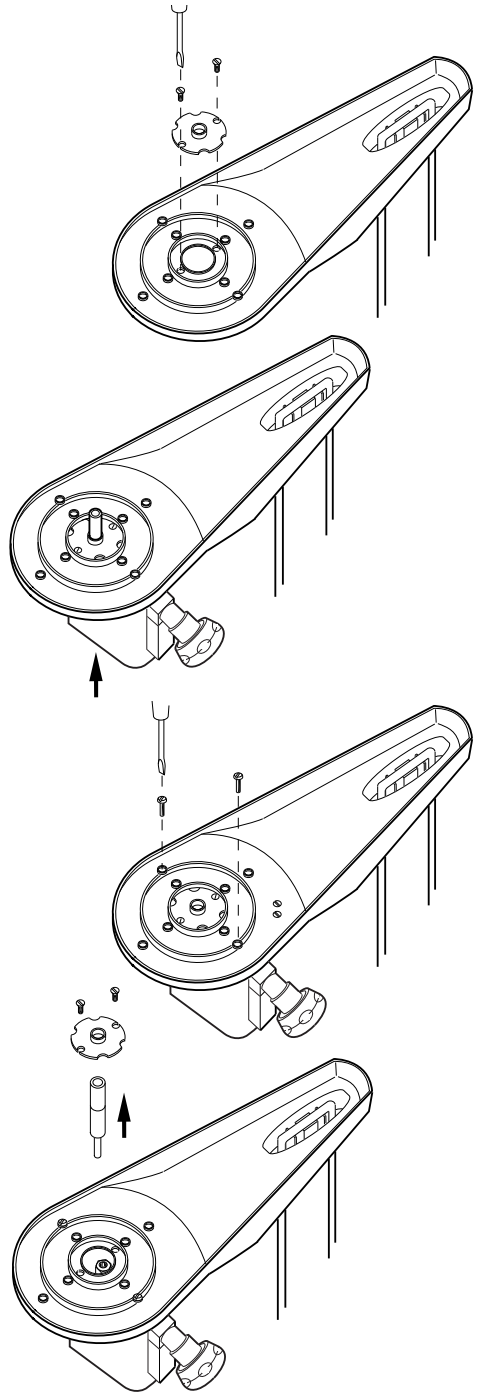
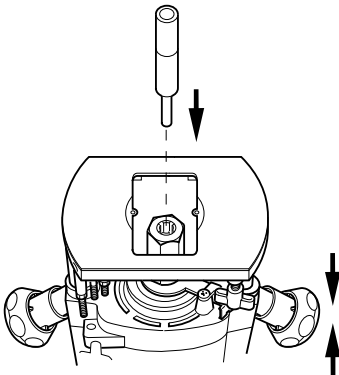
Setting up the Router/Stylus
Concentricity

- Fit line-up bush (16) to router base (1) using the two line-up bush screws (17) provided. The screws should tighten into the two brass threaded inserts. **DO NOT OVERTIGHTEN.**
- Two line-up pins are provided for either a 1/4" or 8mm collet, line-up pins (14) and (15) respectively. To fit line-up pin, plunge router base and lock plunge locking handle/lever. Fit pin (14 or 15) into collet and hand tighten collet nut.
- Rotate base until correct fixing holes are visible. Using the correct fixing screws securely tighten router to Routasketch router base assembly, release plunge of router remove line-up pin (14 or 15) and line-up bush (16). Centre line of the router is now aligned with centre of the stylus pin (7).



IMPORTANT!
Periodically check tightness of screws and concentricity of plate.

- Fit cutter to router (i.e. V point or a 3mm diameter straight depending on which end of stylus is used) and set router depth stop. Generally a 2 to 3mm deep cut is required. For drawings with closer lines the depth of cut should be reduced so that the routed grooves will not run into each other.



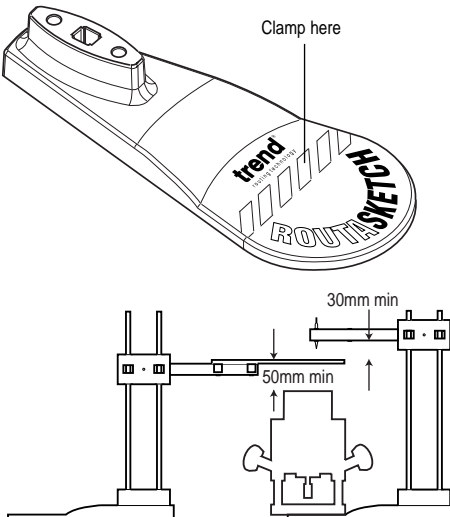
Setting up Routasketch Assembly

- Clamp workpiece securely using double-sided tape or clamps. The drawing plate assembly should be positioned directly over the workpiece. Lower the drawing plate on the bars to the lowest position. This will make the workpiece closer to the drawing plate, making it easier to line-up by eye.
- Once set, securely clamp table assembly using a quick action clamp on the clamping area.
- Adjust drawing plate and arm height and stylus pin arm to suit router being used. A gap of about 50mm should be left above motor vent to allow for airflow. The stylus arm should have a gap of about 30mm above work table to aid viewing. Once heights are set, tighten knobs (12) to secure.
- When routing it is advisable that the stylus arm and rods are positioned away from you.



IMPORTANT!

If workpiece is small in size it is advisable to use a piece of waste material the same thickness as the workpiece to support the rest of the Routasketch router base assembly. This will prevent flexing.



OPERATION

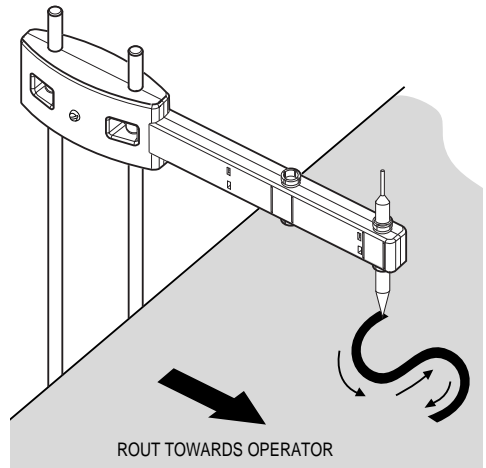
- Select the drawing / lettering to be copied and clip together with the acetate sheet (6) to the drawing plate (5), using the table clips to hold in position.



IMPORTANT!

The material being routed must be flat.

- Line up stylus with start point on drawing, switch on router and lower cutter into workpiece, use depth stop.
- Watch the stylus, not the cutter and proceed around the sketch. It is best to start with the stylus positioned at the furthest point on the drawing away from you and rout towards you.
- You will need to remember which parts of the sketch have been followed. Periodically check to ensure all lines have been routed.
- At the end of each letter or drawing, release plunge of router and move router to next character and repeat until all lines have been followed.
- Narrow lines on the drawing can be reproduced with a 'v' groove cutter by taking shallower cuts.

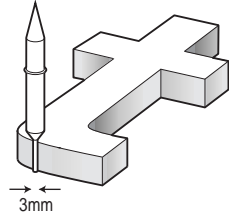


DRAWING IDEAS

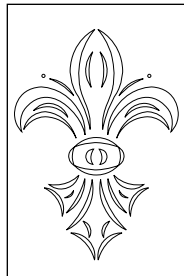
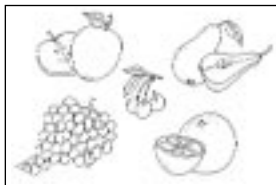
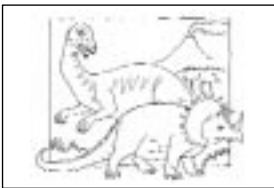
- The Routasketch can be used to rout freehand words, sketched drawings, sign writing and engravings by simply following a drawing or existing shaped article.
- A selection of 20 drawings have been supplied with your Routasketch. These include images suitable for use in a child's bedroom, kitchen, bathroom and study.
- Look for drawings in books for more ideas. Photocopy them to scale and place directly on the drawing plate. The possibilities are endless.



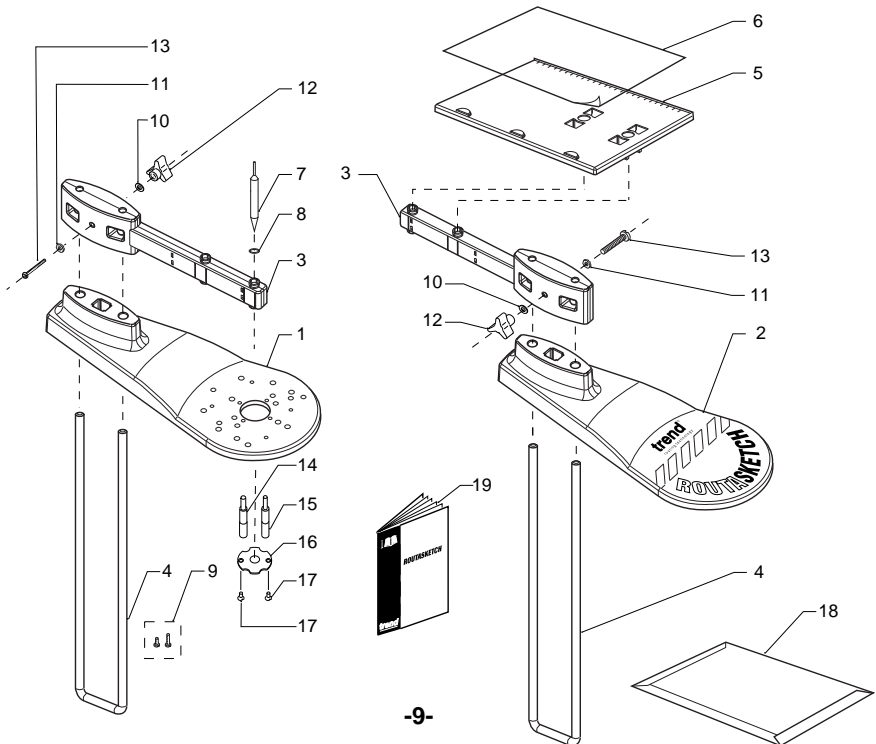
For line tracking drawings.



For relief following existing shaped article.



ROUTASKETCH SPARE PARTS LIST				v2.0 04/2002
Item	Qty.	Description	Ref.	
1	1	Router Base	WP-RSK/01	
2	1	Table Base	WP-RSK/02	
3	2	Arm	WP-RSK/03	
4	2	U Bar	WP-RSK/04	
5	1	Drawing Plate	WP-RSK/05	
6	1	Acetate Clear	WP-RSK/06	
7	1	Double Ended V Point/3mm Dia. Stylus	WP-RSK/07	
8	1	Stylus Pin 'O' Ring	WP-RSK/08	
9	1	Screw Pack	WP-RSK/09	
10	2	Washer 6.3mm x 9.8mm x 1.0mm	WP-WASH/09	
11	2	Star Washer External M5	WP-WASH/39	
12	2	Knob M5	WP-KNOB/09	
13	2	Machine Screw M5 x 60mm Pan Slot	WP-SCW/63	
14	1	Line-Up Pin 1/4" & 1/2"	UNI/PIN/1	
15	1	Line-Up Pin 8mm & 12mm	UNI/PIN/2	
16	1	Line-Up Bush 16mm Dia.	UNI/GB16	
17	2	Machine Screw 2BA x 1/4" Csk Slot	WP-SCW/01	
18	1	Drawing Pack	DIAG/RSK/A	
19	1	Manual	MANU/RSK	



MANU/RSK v2.0



RECYCLABLE

Trend Machinery & Cutting Tools Ltd.

Odhams Trading Estate St Albans Road
Watford WD24 7TR England

Enquiries: _____ 0800 487363

Technical Support: ___ 0044 (0) 1923 224681

Fax: _____ 0044 (0) 1923 236879

Email: _____ mailserver@trendm.co.uk

WWW: _____ www.trendmachinery.co.uk